

D.S.R. COIN BOX
AS SEEN FROM REAR

LEADS A-K (FIG 1B)
OR A-S (FIG 1C OR 1D)
FROM ASSOCIATED
DISCRIMINATING
RELAY SET CIRCUIT
(WIRED AS REQUIRED
IN ACCORDANCE
WITH NUMBERING
SCHEME)

TO VERTICAL
BANK FRONT

TO ROUTINER
ACCESS EQUIPMENT

FOR COLOURS SEE
FIGS 1B, 1C OR 1D

LEADS X-Y (FIG 1B)
OR T-ZA (FIG 1C) FROM
ASSOCIATED
DISCRIMINATING
RELAY SET CIRCUIT
(WIRED AS REQUIRED
IN ACCORDANCE
WITH NUMBERING
SCHEME)

FROM UNISELECTOR
VIA T.D.F. O/G OR I.D.F.
LOCAL OR MULT.

FROM ASSOC'D 'RA' RELAY
FROM BELL
FROM JUNCTION
OVER FLOW METER
FROM SUPPLY VIA JACK
FROM SUPPLY
FROM ASSOC'D 'LA' RELAY
FROM SUPPLY VIA JACK
FROM SUPPLY VIA JACK
FROM SUPPLY VIA JACK

TO ROUTINER
ACCESS EQUIPMENT

TO TRAFFIC REC'DR
STRIP CONN

FROM FUSE PANEL

TO ASSOCIATED
JUNCTION HUNTER

TO ASSOCIATED
RELAY SET CIRCUIT

NOTES:-
1-1 U9 & U11 TO MAKE CONTACT WHEN SELECTOR IS REMOVED
1-2 COLOUR FOR 1ST PAIR OF SHELVES R-O. COLOUR FOR 2ND PAIR OF SHELVES R-G
1-3 ALL WIRE TO BE 25 SWG. UNLESS OTHERWISE
1-4 THESE COLOURS APPLY ONLY WHEN SELECTOR IS USED
IN CONJUNCTION WITH FIG 1C OR 1D RELAY SETS. WHEN USED WITH
FIG 1B SEE GBU 20190/1/2/3/4 FIG 1B FOR COLOURS OF THESE LEADS.
1-5 ON SOME EARLY EQUIPMENT BATTERY WIRING IS BLACK.

DISCRIMINATING SELR. REPEATER COIN BOX 200 OUTLET 2000 TYPE WITH OVERFLOW ROUTEING FACILITY			
WAS GBW 10430/1/2/3/4 MOD B (2500)		1	9-7-73 B.S.H.
AMENDMENT PARTICULARS		ISSUE DATE	APD
SIZE S		50V	E
GBU 20190 20193 SHEET		1-3	
20191 20194			
20192			

03 25 20 15 10 5 0

AS SEEN FROM REAR

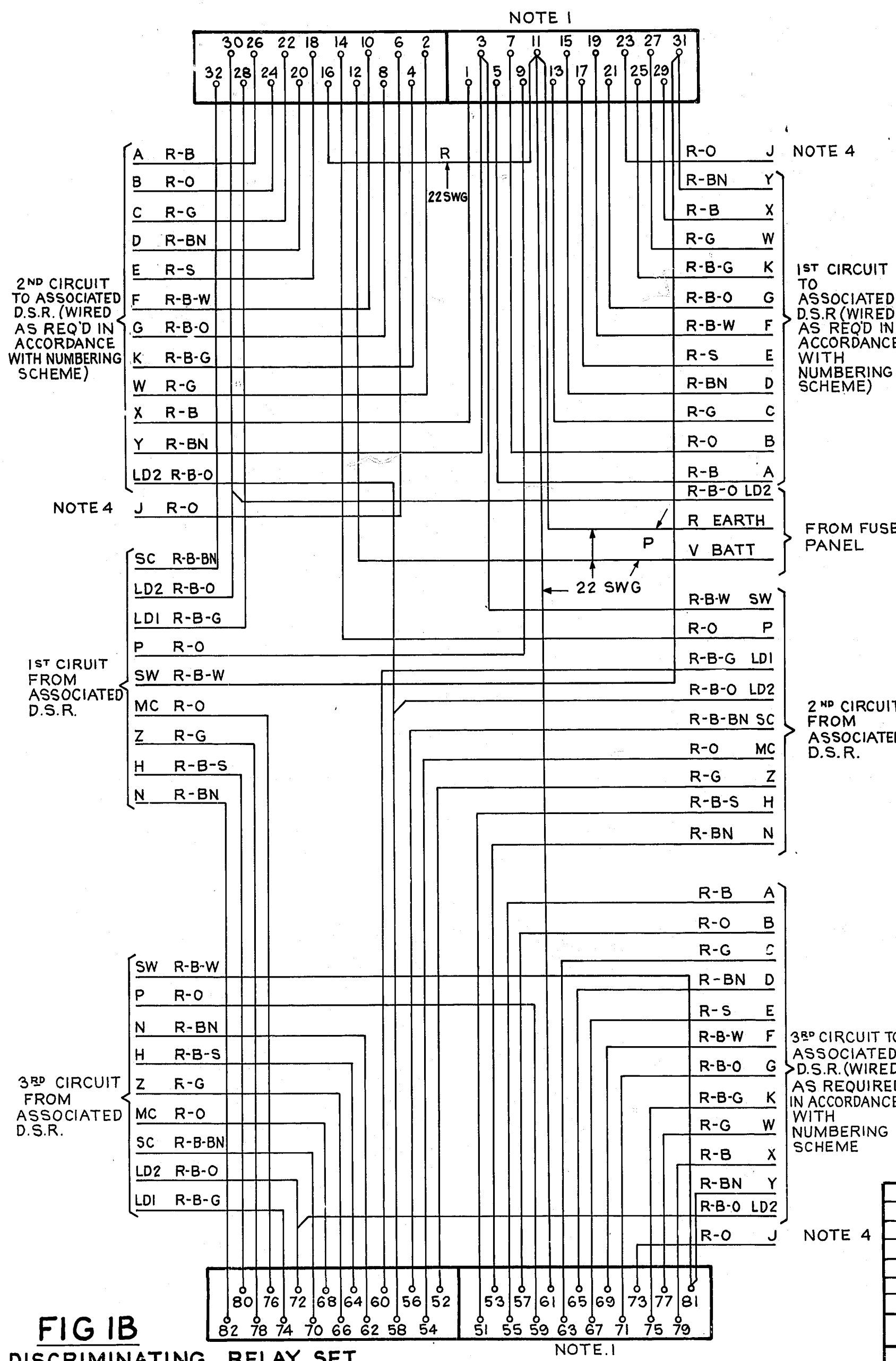


FIG IB
DISCRIMINATING RELAY SET

ABSORBS 1ST DIGIT. DISCRIMATES ON 1ST & 2ND

AS SEEN FROM REAR

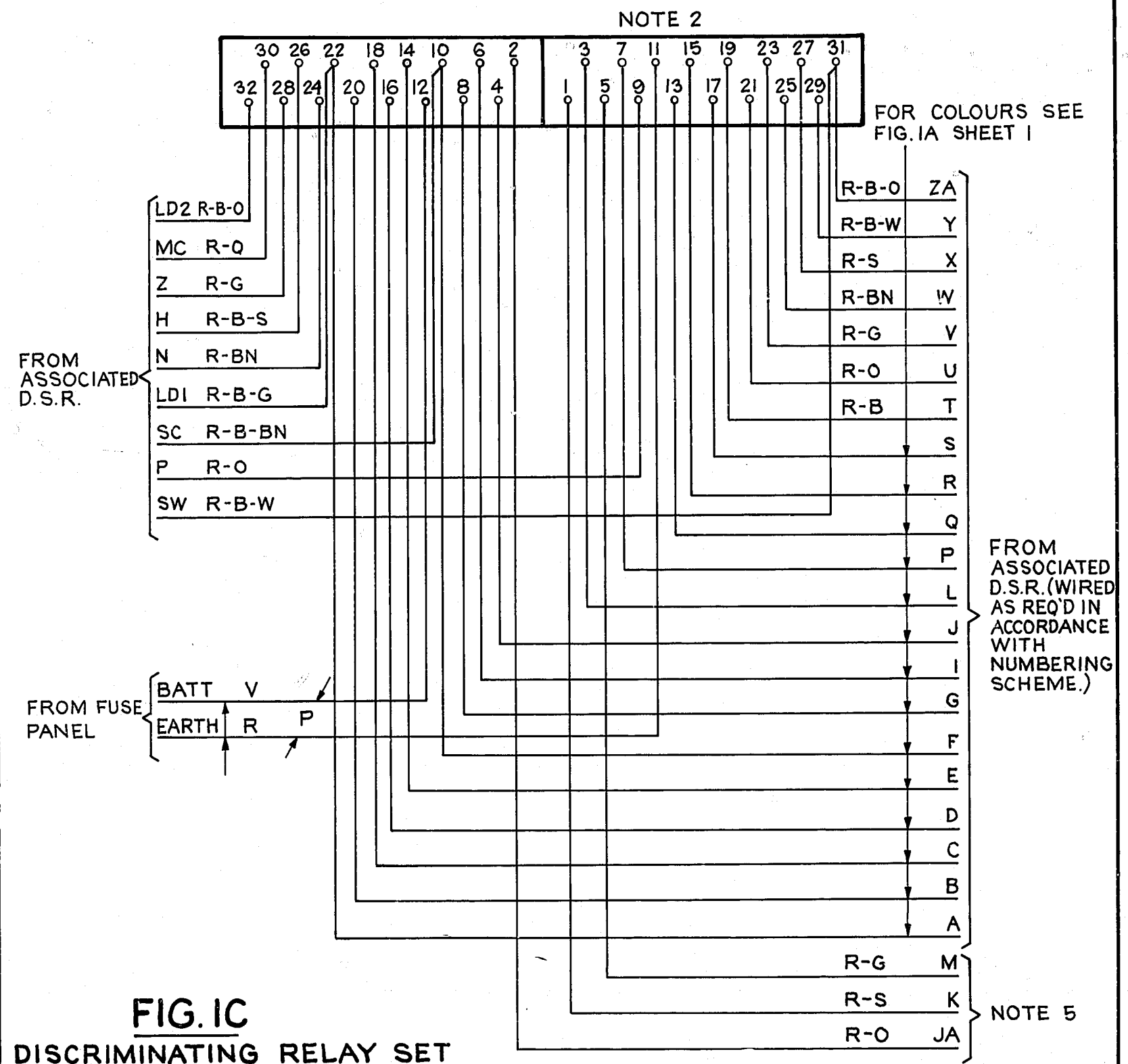


FIG IC
DISCRIMINATING RELAY SET

ABSORBS 1ST & 2ND DIGITS. DISCRIMATES ON 1ST, 2ND & 3RD

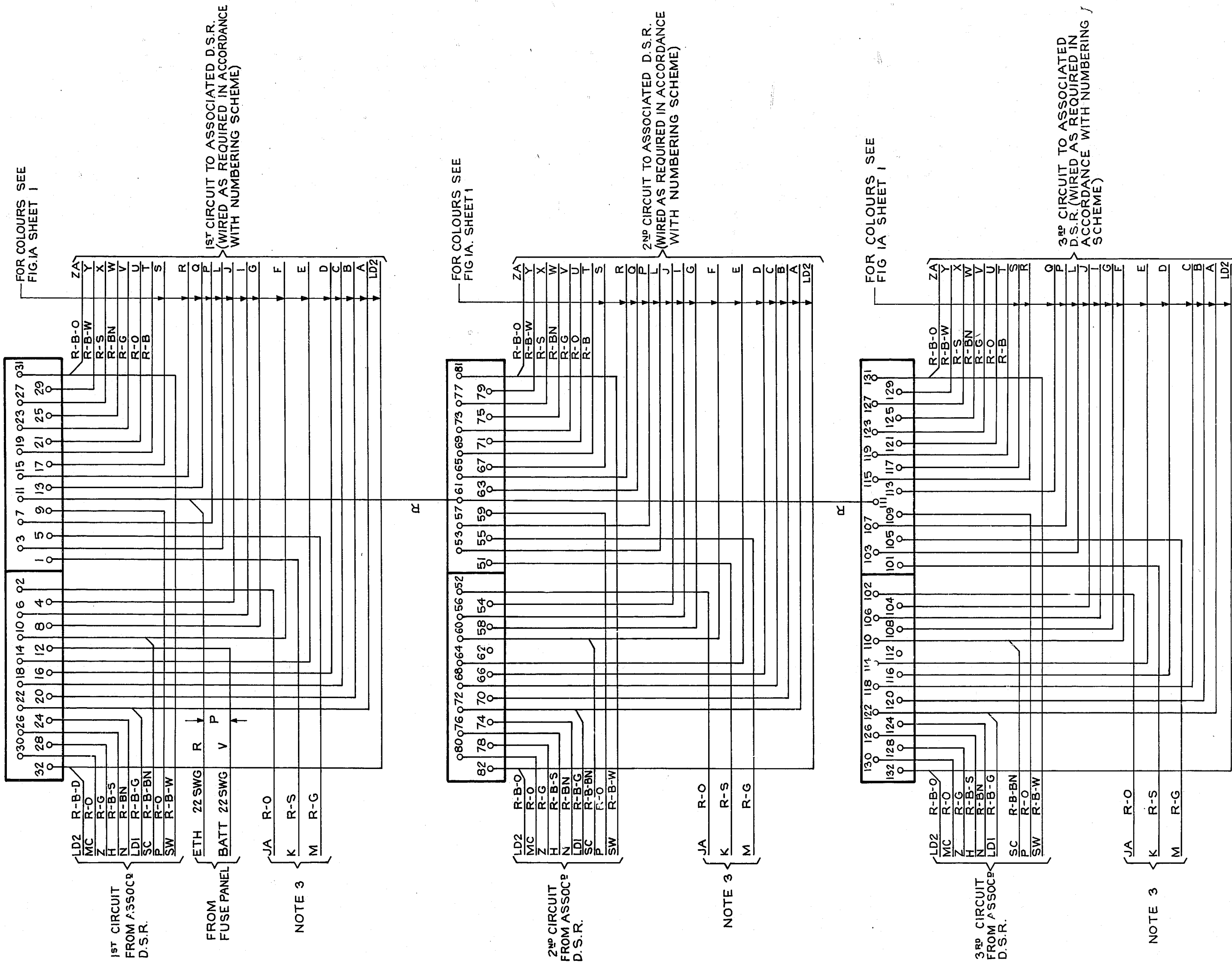
(ONE CIRCUIT PER BASE)

NOTES:-

- 2-1 JACK POINTS U9 & 11, U14 & 16 AND U59 & 61 (FIG. 1B) TO MAKE CONTACT WHEN RELAY SET IS REMOVED.
- 2-2 JACK POINTS U9 & 11 (FIG. 1C) TO MAKE CONTACT WHEN RELAY SET IS REMOVED
- 2-3 ALL WIRING TO BE 25 SWG UNLESS OTHERWISE SPECIFIED
- 2-4 LEAD J (FIG. 1B) IS LOOPED TO POINT ON SAME SHELF JACK AS REQUIRED IN ACCORDANCE WITH NUMBERING SCHEME
- 2-5 LEADS M, K & JA (FIG. 1C) ARE LOOPED TO POINTS ON SAME SHELF JACK AS REQUIRED IN ACCORDANCE WITH NUMBERING SCHEME.
- 2-6 ON SOME EARLY EQUIPMENT BATTERY WIRING IS BK

				DISCRIMINATING SELFR REPEATER			
				COIN BOX			
				200 OUTLET 2000 TYPE			
				WITH OVERFLOW ROUTEING FACILITY			
WAS GBU 10430/1/2/3/4 MOD B (2500)		I 9-7-73 B.S.H.					
AMENDMENT PARTICULARS		ISSUE DATE		APD		SIZE S 50 V E	
N Z P O		M DRAWN		CHECKED		WIRING ENGRS	
		B				GBU 20190 20193 SHEET 2-3	
						20191 20194	
						20192	

AS SEEN FROM REAR



NOTES

- 3-1 ALL WIRING TO BE 25 SWG UNLESS OTHERWISE SPECIFIED
- 3-2 JACK POINTS U9 & U11, U59 & U61, U109 & U111 TO MAKE CONTACT WHEN RELAY SET IS REMOVED
- 3-3 LEADS MK & JA ARE LOOPED TO POINTS ON SAME SHELF JACK AS REQUIRED IN ACCORDANCE WITH NUMBERING SCHEME
- 3-4 ON SOME EARLY EQUIPMENT BATTERY WIRING IS BK.

FIG. 1D
DISCRIMINATING RELAY SET

ABSORBS 1ST & 2ND DIGIT
DISCRIMINATES ON 1ST, 2ND
& 3RD (3 CIRCUITS PER BASE)

				DISCRIMINATING SEL'R REPEATER COIN BOX	
				200 OUTLET 2000 TYPE WITH OVERFLOW ROUTING FACILITY.	
WAS GBU 10430/1/2/3/4 MOD.B (2500)		1	9-7-73	B.S.H.	
AMENDMENT PARTICULARS			ISSUE	DATE	APD
			SIZE	S	50V E
			20190	20193	SHEET
			20191	20194	3-3
			20192		

N I Z P O I DRAWN CHECKED WIRING CIRCUIT

Centimetres

0 5 10 15 20 25 30 35 40