

DISCRIMINATING SELR. REPEATER COIN BOX 200 OUTLET 2000 TYPE WITH OVERFLOW ROUTEING FACILITY			
WAS GBW 10430/1/2/3/4 MOD B (2500)		1	9-7-73 B.S.H.
AMENDMENT PARTICULARS		ISSUE DATE	APD
		SIZE	S 50V E
NZPO		DRAWN	CHECKED
		WIRING	ENGIN'RS
GBU 20190 20193 SHEET		20191 20194 1-3	
20192			

D.S.R. COIN BOX
AS SEEN FROM REAR

FIG 1A I E I FOR I G

Centimeter 0 5 10 15 20 25

LEADS A-K (FIG 1B)
OR A-S (FIG 1C OR 1D)
FROM ASSOCIATED
DISCRIMINATING
RELAY SET CIRCUIT
(WIRED AS REQUIRED
IN ACCORDANCE
WITH NUMBERING
SCHEME

TO VERTICAL
BANK FRONT

TO ROUTINER
ACCESS EQUIPMENT

FOR COLOURS SEE
FIGS 1B, 1C OR 1D

LEADS X-Y (FIG 1B)
OR T-ZA (FIG 1C) FROM
ASSOCIATED
DISCRIMINATING
RELAY SET CIRCUIT
(WIRED AS REQUIRED
IN ACCORDANCE
WITH NUMBERING
SCHEME

FROM UNISELECTOR
VIA T.D.F. O/G OR I.D.F.
LOCAL OR MULT.

FROM ASSOC'D 'RA' RELAY
FROM BELL
FROM JUNCTION
OVER FLOW METER
FROM SUPPLY VIA JACK
FROM SUPPLY
FROM ASSOC'D 'LA' RELAY
FROM SUPPLY VIA JACK
FROM SUPPLY VIA JACK
FROM SUPPLY VIA JACK

TO ROUTINER
ACCESS EQUIPMENT

TO TRAFFIC REC'DR
STRIP CONN

FROM FUSE PANEL

TO ASSOCIATED
JUNCTION HUNTER

TO ASSOCIATED
RELAY SET CIRCUIT

NOTES:-
1-1 U9 & U11 TO MAKE CONTACT WHEN SELECTOR IS REMOVED
1-2 COLOUR FOR 1ST PAIR OF SHELVES R-O. COLOUR FOR 2ND PAIR OF SHELVES R-G
1-3 ALL WIRE TO BE 25 SWG. UNLESS OTHERWISE
1-4 THESE COLOURS APPLY ONLY WHEN SELECTOR IS USED
IN CONJUNCTION WITH FIG 1C OR 1D RELAY SETS. WHEN USED WITH
FIG 1B SEE GBW 20190/1/2/3/4 FIG 1B FOR COLOURS OF THESE LEADS.
1-5 ON SOME EARLY EQUIPMENT BATTERY WIRING IS BLACK.

AS SEEN FROM REAR

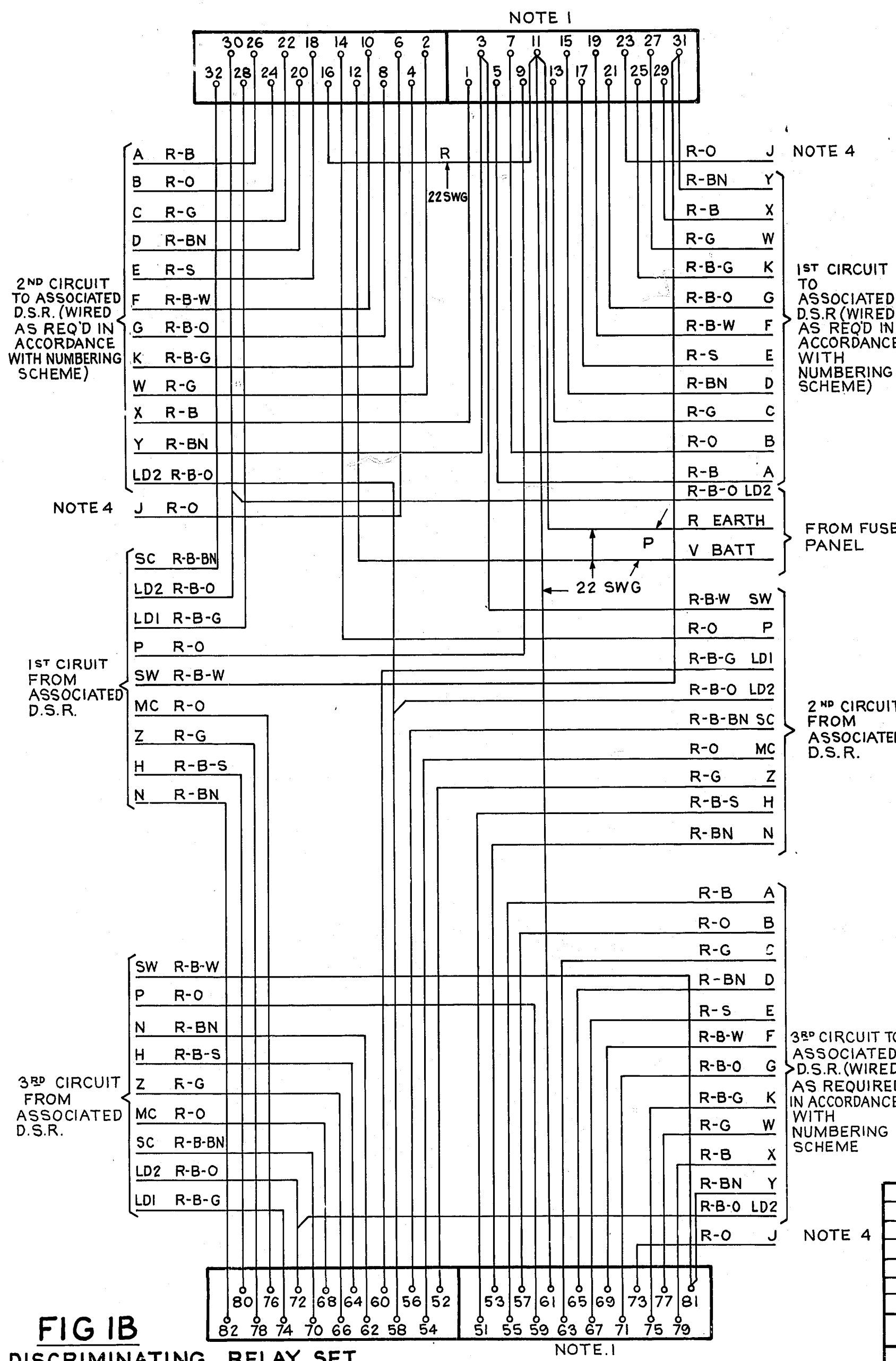


FIG IB
DISCRIMINATING RELAY SET

ABSORBS 1ST DIGIT. DISCRIMATES ON 1ST & 2ND

AS SEEN FROM REAR

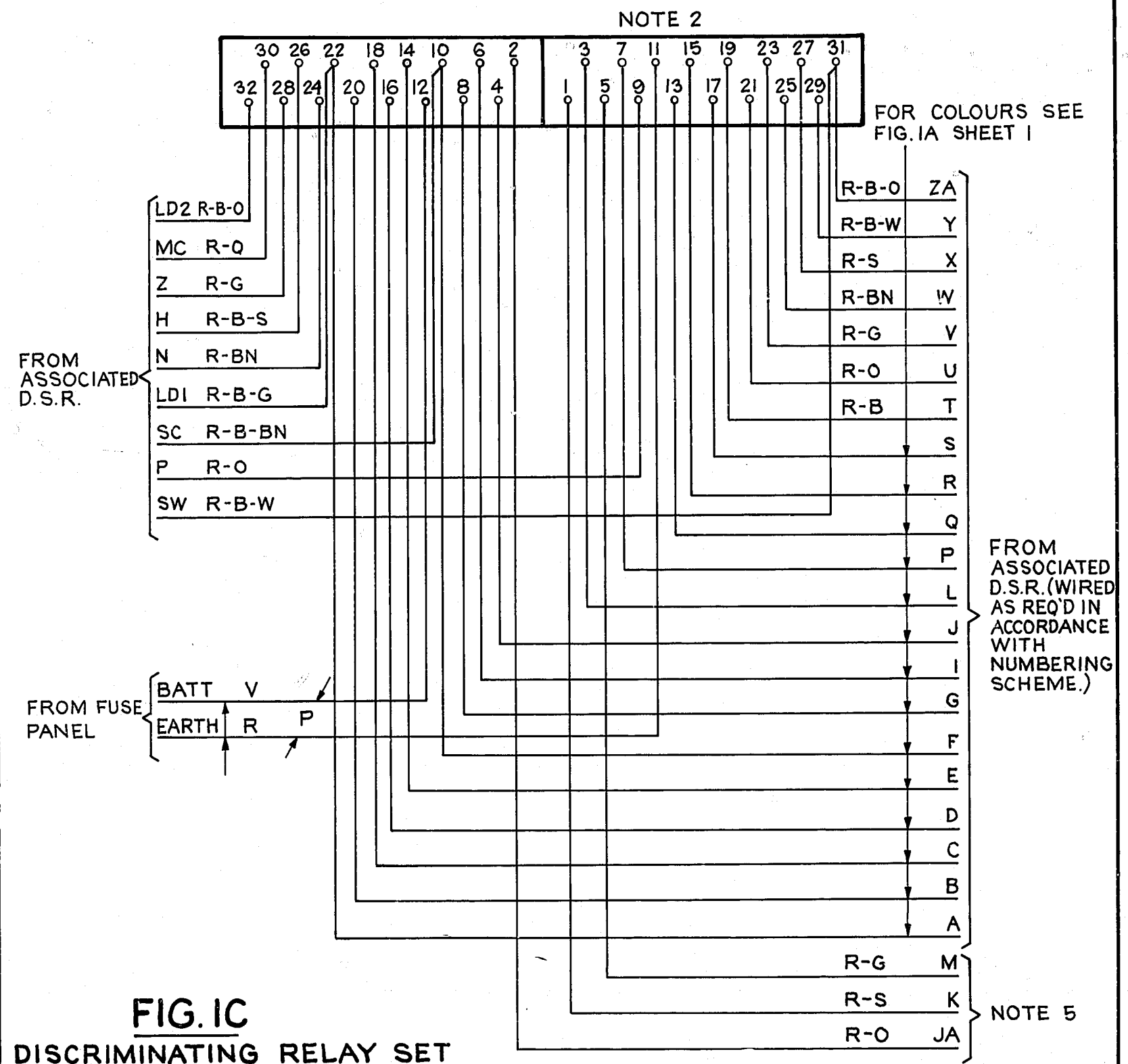


FIG IC
DISCRIMINATING RELAY SET

ABSORBS 1ST & 2ND DIGITS. DISCRIMATES ON 1ST, 2ND & 3RD

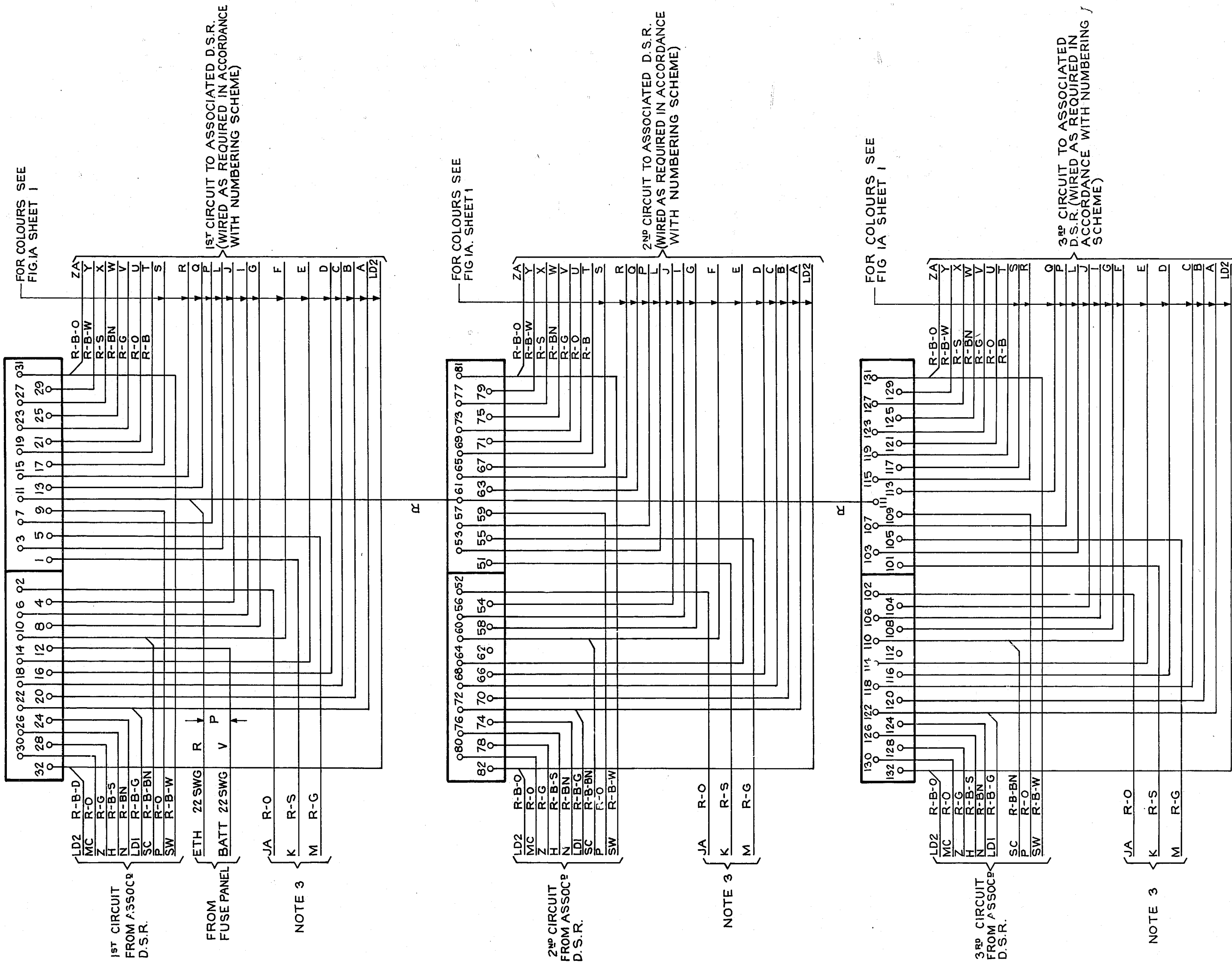
(ONE CIRCUIT PER BASE)

NOTES:-

- 2-1 JACK POINTS U9 & 11, U14 & 16 AND U59 & 61 (FIG. 1B) TO MAKE CONTACT WHEN RELAY SET IS REMOVED.
- 2-2 JACK POINTS U9 & 11 (FIG. 1C) TO MAKE CONTACT WHEN RELAY SET IS REMOVED
- 2-3 ALL WIRING TO BE 25 SWG UNLESS OTHERWISE SPECIFIED
- 2-4 LEAD J (FIG. 1B) IS LOOPED TO POINT ON SAME SHELF JACK AS REQUIRED IN ACCORDANCE WITH NUMBERING SCHEME
- 2-5 LEADS M, K & JA (FIG. 1C) ARE LOOPED TO POINTS ON SAME SHELF JACK AS REQUIRED IN ACCORDANCE WITH NUMBERING SCHEME.
- 2-6 ON SOME EARLY EQUIPMENT BATTERY WIRING IS BK

			DISCRIMINATING SELFR REPEATER		
			COIN BOX		
			200 OUTLET 2000 TYPE		
			WITH OVERFLOW ROUTEING		
			FACILITY		
WAS GBU 10430/1/2/3/4 MOD B (2500)		1	9-7-73	B.S.H.	
AMENDMENT PARTICULARS		ISSUE DATE	APD	SIZE	S 50 V E
N Z P O		M DRAWN	CHECKED	WIRING	ENGRS
		B			
GBU 20190			20193		SHEET
20191			20194		2-3
20192					

AS SEEN FROM REAR



NOTES

- 3-1 ALL WIRING TO BE 25 SWG UNLESS OTHERWISE SPECIFIED
- 3-2 JACK POINTS U9 & U11, U59 & U61, U109 & U111 TO MAKE CONTACT WHEN RELAY SET IS REMOVED
- 3-3 LEADS MK & JA ARE LOOPED TO POINTS ON SAME SHELF JACK AS REQUIRED IN ACCORDANCE WITH NUMBERING SCHEME
- 3-4 ON SOME EARLY EQUIPMENT BATTERY WIRING IS BK.

FIG. 1D
DISCRIMINATING RELAY SET

ABSORBS 1ST & 2ND DIGIT
DISCRIMINATES ON 1ST, 2ND
& 3RD (3 CIRCUITS PER BASE)

				DISCRIMINATING SEL'R REPEATER COIN BOX	
				200 OUTLET 2000 TYPE WITH OVERFLOW ROUTING FACILITY.	
WAS GBU 10430/1/2/3/4 MOD.B (2500)		1	9-7-73	B.S.H.	
AMENDMENT PARTICULARS			ISSUE	DATE	APD
			SIZE	S	50V E
			20190	20193	SHEET
			20191	20194	3-3
			20192		

N I Z P O I DRAWN CHECKED WIRING CIRCUIT

Centimetres

0 5 10 15 20 25 30 35 40