

5 Centimetres

AS SEEN FROM REAR

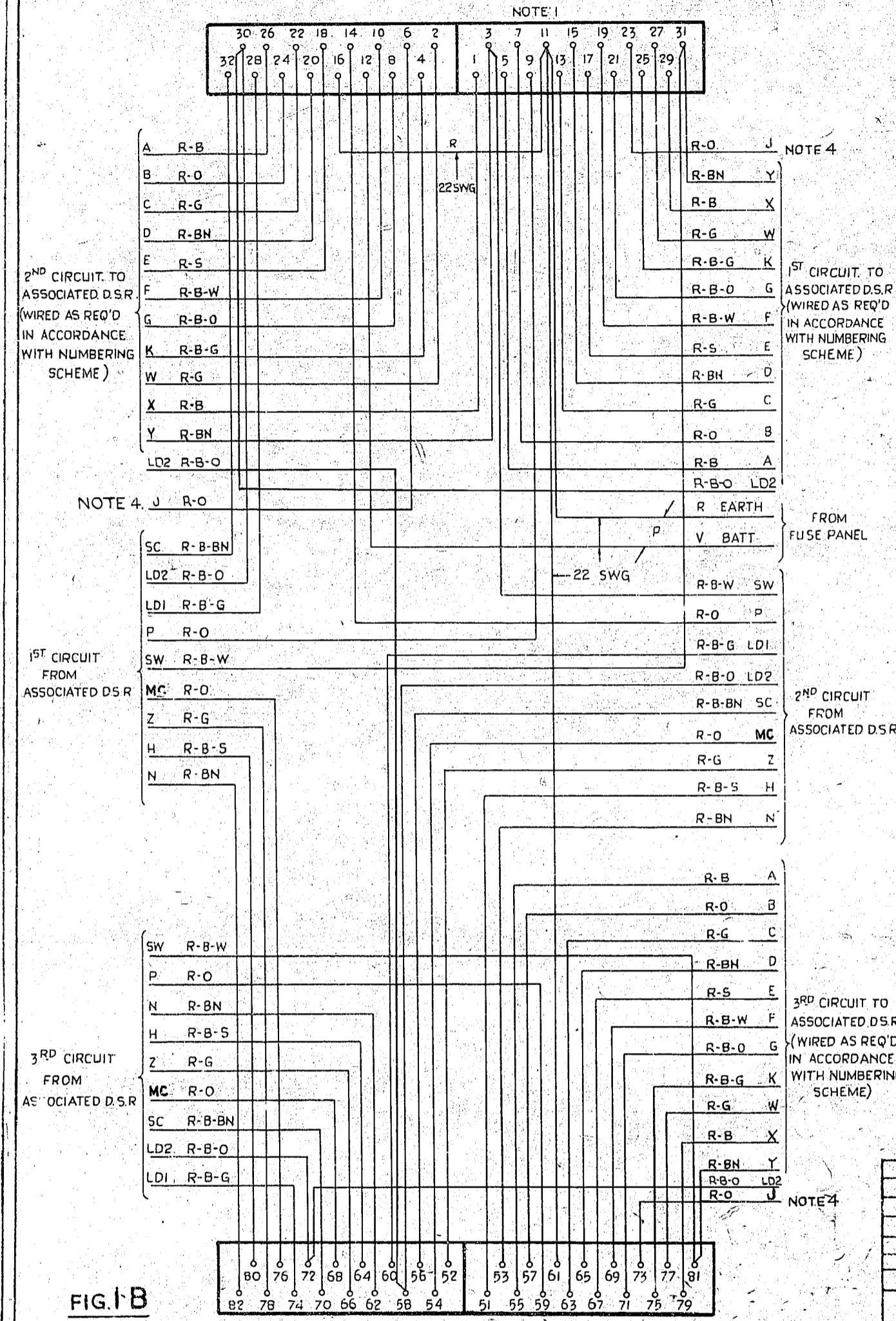


FIG. 1B
DISCRIMINATING RELAY SET.
ABSORBS 1ST DIGIT. DISCRIMINATES ON 1ST & 2ND

AS SEEN FROM REAR

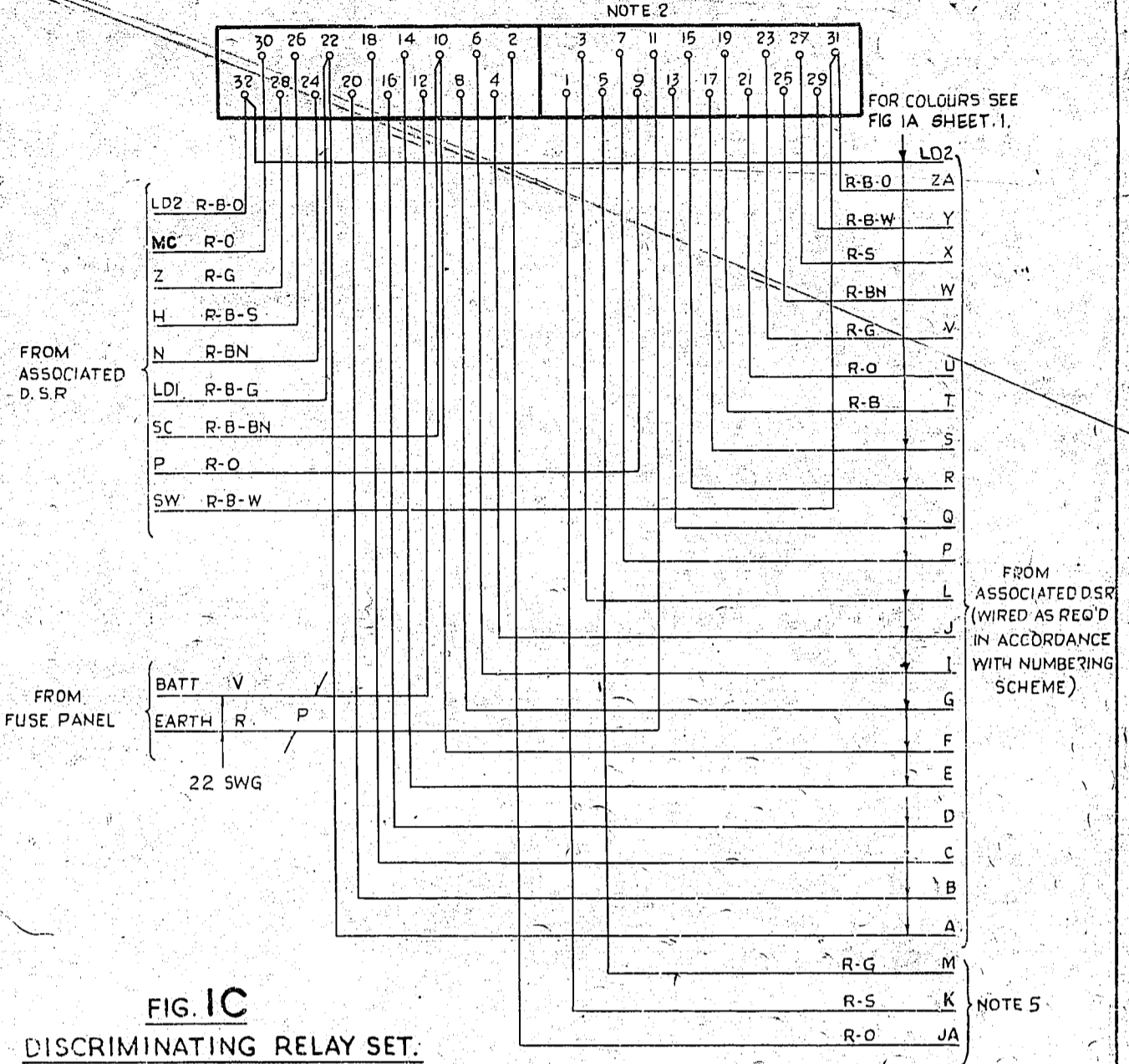


FIG. 1C
DISCRIMINATING RELAY SET.
ABSORBS 1ST & 2ND DIGITS, DISCRIMINATES ON 1ST, 2ND & 3RD
(ONE CIRCUIT PER BASE)

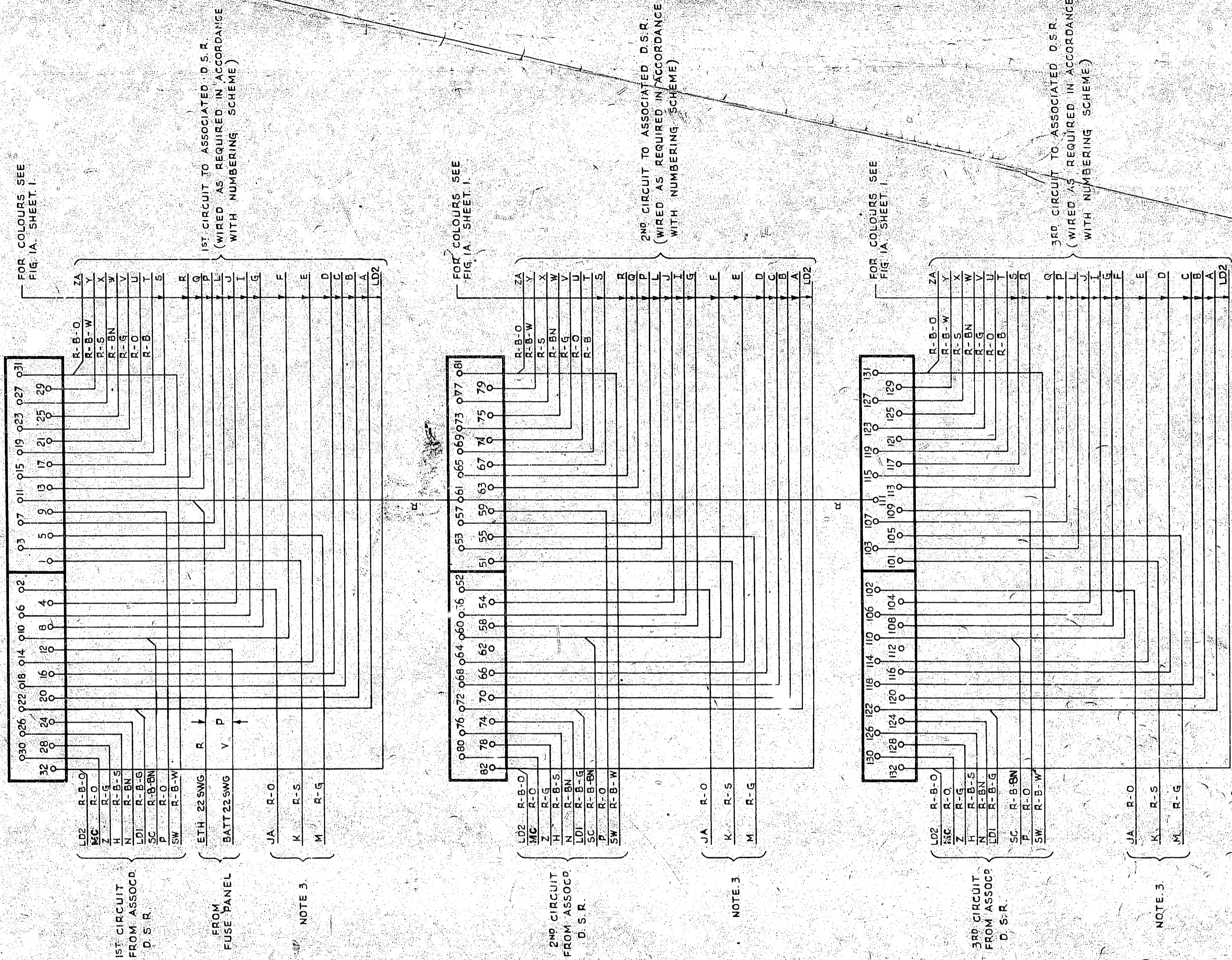
NOTES

- 1 JACK POINTS U9 & 11 U14 & 16 AND U59 & 61 (FIG 1B) TO MAKE CONTACT WHEN RELAY SET IS REMOVED.
- 2 JACK POINTS U9 11 (FIG 1C) TO MAKE CONTACT WHEN RELAY SET IS REMOVED.
- 3 ALL WIRING TO BE 25 SWG UNLESS OTHERWISE SPECIFIED.
- 4 LEAD J (FIG 1B) IS LOOPED TO POINT ON SAME SHELF JACK AS REQUIRED IN ACCORDANCE WITH NUMBERING SCHEME.
- 5 LEADS M, K & JA (FIG 1C) ARE LOOPED TO POINTS ON SAME SHELF JACK AS REQUIRED IN ACCORDANCE WITH NUMBERING SCHEME.
- 6 ON SOME EARLY EQUIPMENT WIRING IS BK.

DISCRIMINATING SELR REPEATER			
REGULAR & PARTY LINE			
200 OUTLET 2000 TYPE			
WITH OVERFLOW ROUTEING FACILITY			
W:5 GBU 10420/1/2/3/4 MOD 6 (2458)		ISSUE	DATE
AMENDMENT PARTICULARS		ISSUE	DATE
N.Z. P.O.		50V	E
DRAWN	CHECKED	WIRING	ENGIN ^{RS}
GBU 20180 20183		SHEET 2-3	
20181 20184			
20182			

0 5 Centimetres 10 15 20 25 30

AS SEEN FROM REAR.



NOTES:-

1. ALL WIRING TO BE 25 SWG UNLESS OTHERWISE SPECIFIED.
2. JACK POINTS U9 & U11, U59 & U61, U109 & U111 TO MAKE CONTACT WHEN RELAY SET IS REMOVED.
3. LEADS M, K & JA ARE LOOPED TO POINTS ON SAME SHELF JACK AS REQUIRED IN ACCORDANCE WITH NUMBERING SCHEME.
4. ON SOME EARLY EQUIPMENT BATTERY WIRING IS BK.

DISCRIMINATING SELF REPEATER REGULAR & PARTY LINE 200 OUTLET 2000 TYPE WITH OVERFLOW ROUTING FACILITY			
WAS GBU 10420/1/2/3/4 MOD B (2498)	1	6-7-73	BSH
AMENDMENT PARTICULARS	ISSUE	DATE	APPD.
N.Z. P.O.	DRAWN	CHECKED	WIRING
			CIRCUIT.
GBU 20180 20181 20182			20183 20184
SHEET 3-3.			50V E

FIG. 1D
DISCRIMINATING RELAY SET.

ABSORBS 1ST & 2ND DIGIT.
DISCRIMINATES ON 1ST 2ND & 3RD
(3 CIRCUITS PER BASE.)