

5 Centimetres

10

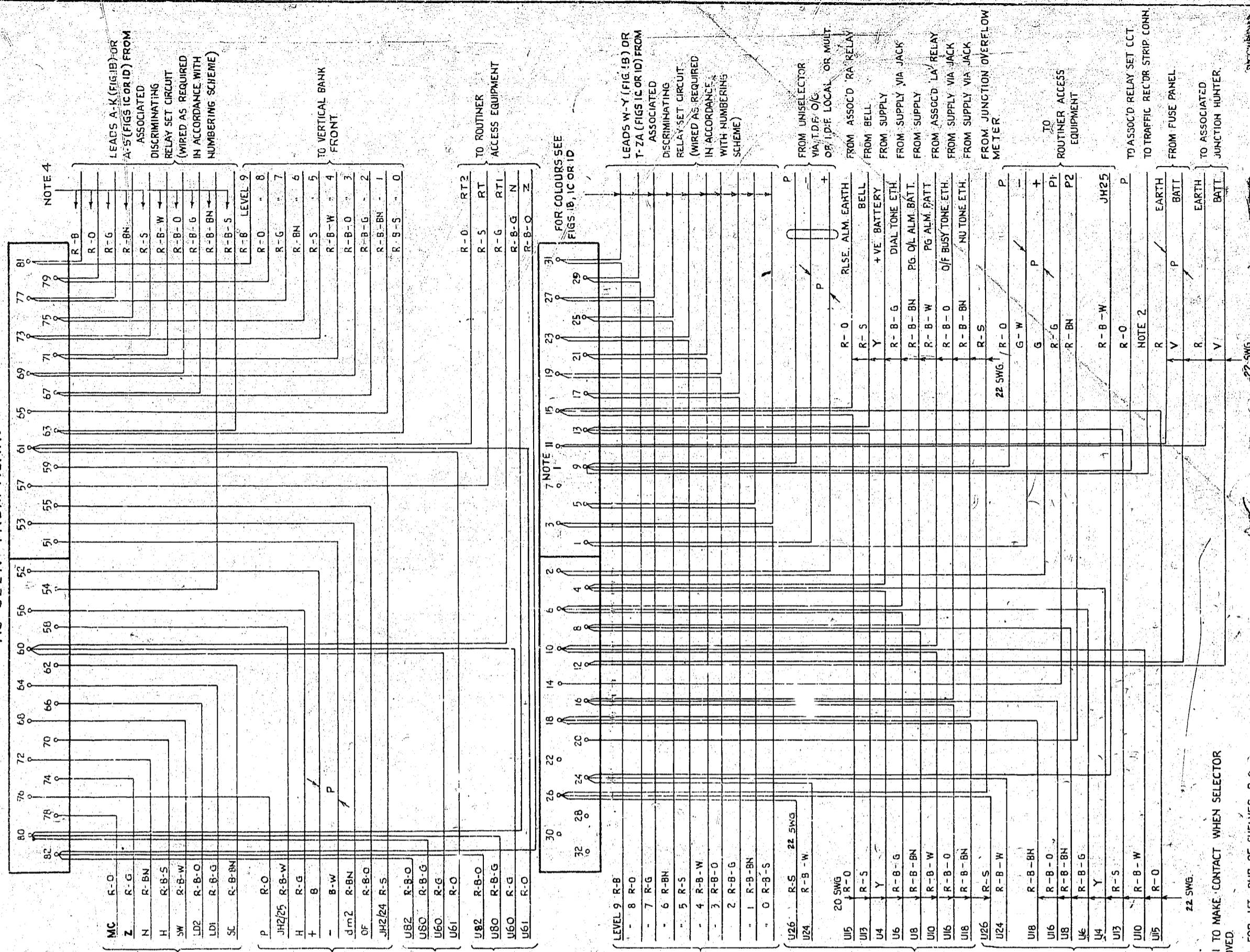
15

20

25

30

FIG. 1A. E. FOR IG.
D.S.R. REGULAR & PARTY LINE.
AS SEEN FROM REAR.



- MC R-O
- Z R-G
- N R-BN
- H R-B-S
- 3W R-B-W
- LD2 R-B-O
- LD1 R-B-G
- SE R-B-BN
- P R-O
- JH2/25 R-B-W
- H R-G
- B B-W
- dm2 R-BN
- OF R-B-O
- JH2/24 R-S
- UB2 R-B-O
- USO R-B-G
- UGO R-G
- UG1 R-O
- UB2 R-B-O
- USO R-B-G
- UGO R-G
- UG1 R-O

TO ASSOCIATED RELAY SET CIRCUIT

TO ASSOCIATED JUNCTION HUNTER

MULT TO OTHER JACKS ON SHELF

MULT TO OTHER SHELVES ON RACK

- LEVEL 9 R-B
- 8 R-O
- 7 R-G
- 6 R-BN
- 5 R-S
- 4 R-B-W
- 3 R-B-O
- 2 R-B-G
- 1 R-B-BN
- 0 R-B-S
- U26 R-S 22 SWG
- U24 R-B-W
- U15 20 SWG R-O
- U13 R-S
- U4 Y
- U5 R-B-G
- U8 R-B-BN
- U10 R-B-W
- U16 R-B-O
- U18 R-B-BN
- U25 R-S
- U24 R-B-W
- U18 R-B-BN
- U16 R-B-O
- U8 R-B-BN
- U6 R-B-G
- U4 Y
- U10 R-S
- U10 R-B-W
- U10 R-O

TO VERTICAL BANK REAR

MULT TO OTHER JACKS ON SHELF

MULT TO OTHER SHELVES ON RACK

MULT TO NEXT SHELF

NOTES:

- U9 & U11 TO MAKE CONTACT WHEN SELECTOR IS REMOVED.
- COLOUR FOR 1st. PAIR OF SHELVES R-O R-G
- ALL WIRE TO BE 23 SWG UNLESS OTHERWISE SPECIFIED
- THESE COLOURS APPLY ONLY WHEN SELECTOR IS USED IN CONJUNCTION WITH RELAY SET TO GBU 10420/1/2/3/4 MOD B (2498) OR GBU 10422/2/3/4 MOD B (2498). WHEN USED WITH FIG 1B SEE GBU 10420 FIG 1B FOR COLOURS OF THESE LEADS.

DISCRIMINATING SELF REPEATER			
REGULAR & PARTY LINE			
200 OUTLET 2000 TYPE			
WITH OVERFLOW ROUTING FACILITY			
WAS GBU 10420/1/2/3/4 MOD B (2498)		9-7-73	B5H
AMENDMENT PARTICULARS	ISSUE	DATE	APP.
N.Z. P.O.	DRAWN	CHECKED	WIRED
			ENGINEER
GBU 20180 20181 20182		20183 20184	
SHEET			1-3

5. ON SOME EARLY EQUIPT. NEG BATT WIRING IS BK AND POS. BATT WIRING IS R-B.

0
5 Centimetres
10
15
20
25
30

AS SEEN FROM REAR

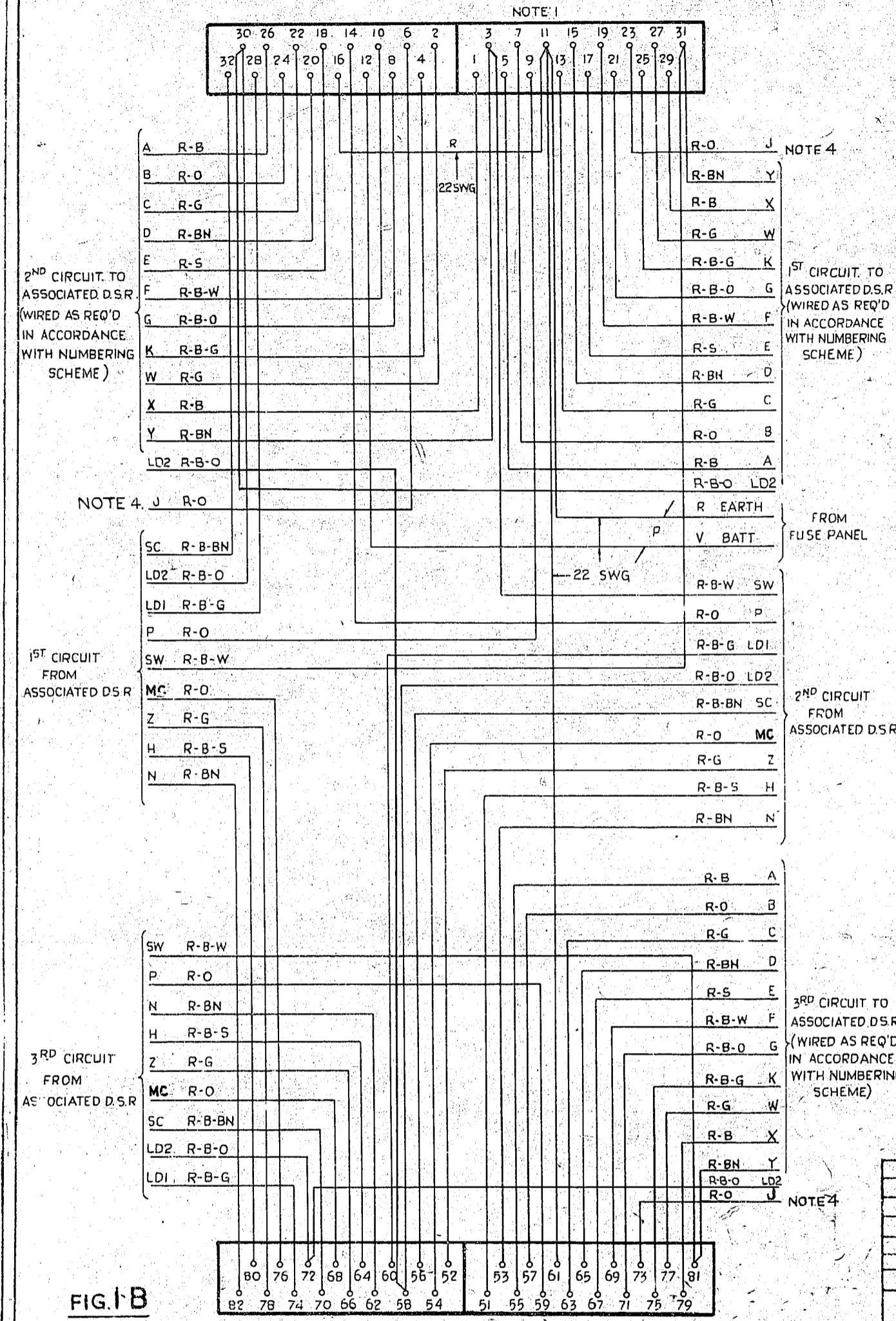


FIG. 1B
DISCRIMINATING RELAY SET.
ABSORBS 1ST DIGIT. DISCRIMINATES ON 1ST & 2ND

AS SEEN FROM REAR

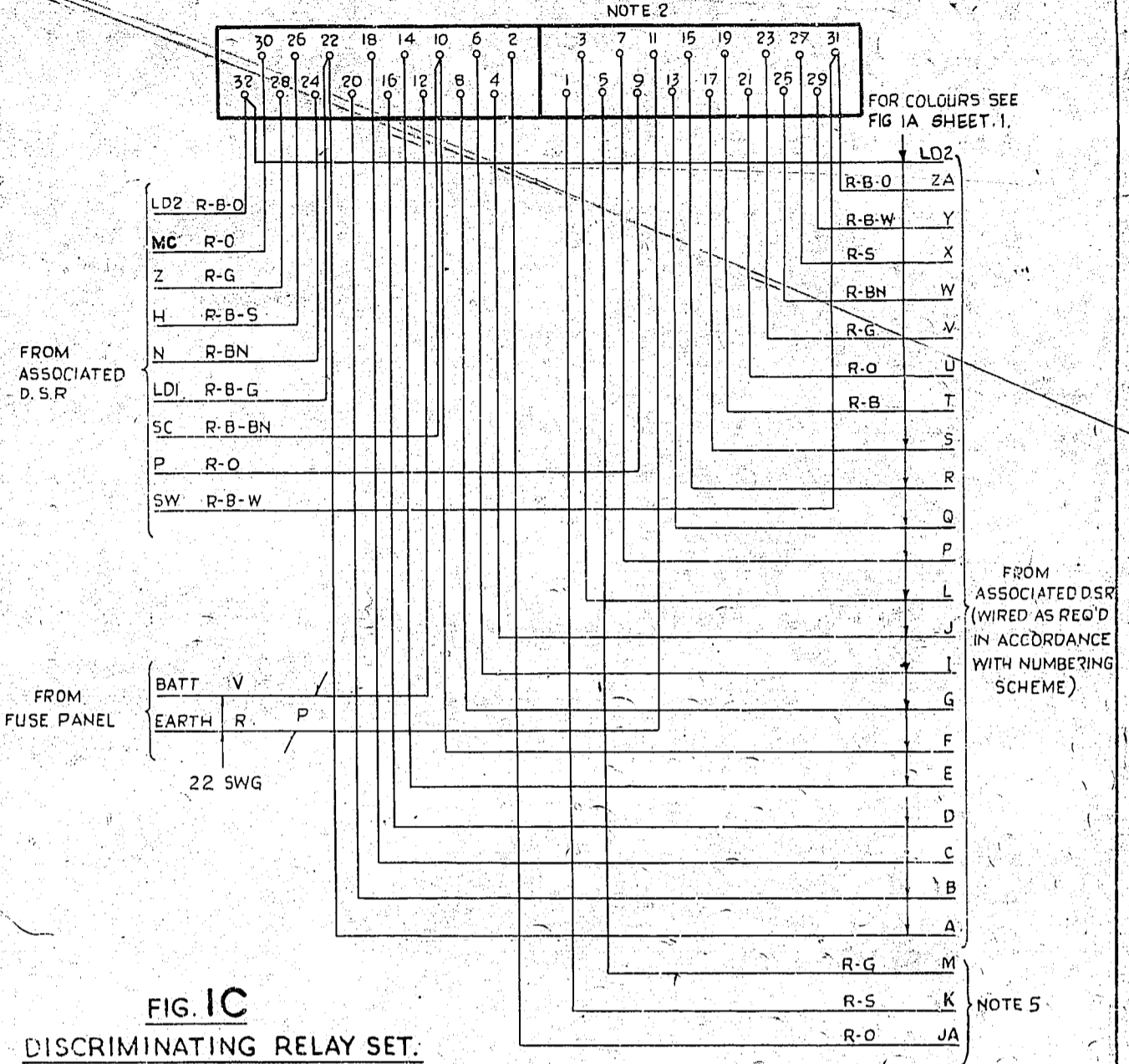


FIG. 1C
DISCRIMINATING RELAY SET.
ABSORBS 1ST & 2ND DIGITS, DISCRIMINATES ON 1ST, 2ND & 3RD (ONE CIRCUIT PER BASE)

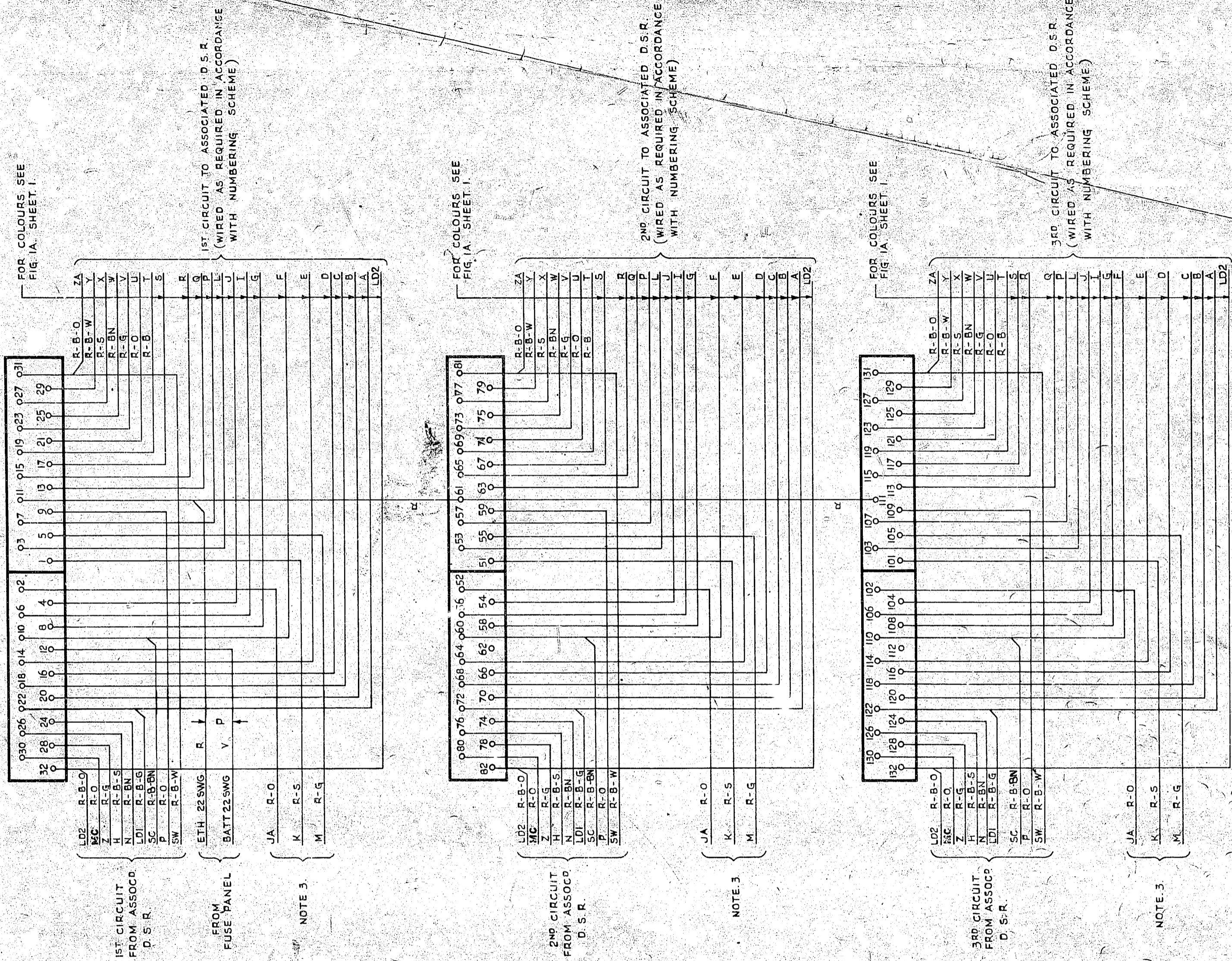
NOTES

- 1 JACK POINTS U9 & 11 U14 & 16 AND U59 & 61 (FIG 1B) TO MAKE CONTACT WHEN RELAY SET IS REMOVED.
- 2 JACK POINTS U9 11 (FIG 1C) TO MAKE CONTACT WHEN RELAY SET IS REMOVED.
- 3 ALL WIRING TO BE 25 SWG UNLESS OTHERWISE SPECIFIED.
- 4 LEAD J (FIG 1B) IS LOOPED TO POINT ON SAME SHELF JACK AS REQUIRED IN ACCORDANCE WITH NUMBERING SCHEME.
- 5 LEADS M, K & JA (FIG 1C) ARE LOOPED TO POINTS ON SAME SHELF JACK AS REQUIRED IN ACCORDANCE WITH NUMBERING SCHEME.
- 6 ON SOME EARLY EQUIPMENT WIRING IS BK.

				DISCRIMINATING SELR REPEATER			
				REGULAR & PARTY LINE			
				200 OUTLET 2000 TYPE			
				WITH OVERFLOW ROUTING FACILITY			
W:5 GBU 10420/1/2/3/4 MOD 6 (2458)				1	9-7-73	B5H	
AMENDMENT PARTICULARS				ISSUE	DATE	APP'D	50V E
N.Z. P.O.		DRAWN	CHECKED	WIRING	ENGIN ^{RS}	GBU 20180 20183 SHEET 20181 20184 2-3 20182	

0 5 Centimetres 10 15 20 25 30

AS SEEN FROM REAR.



NOTES:-

1. ALL WIRING TO BE 25 SWG UNLESS OTHERWISE SPECIFIED.
2. JACK POINTS U9 & U11, U59 & U61, U109 & U111 TO MAKE CONTACT WHEN RELAY SET IS REMOVED.
3. LEADS M, K & JA ARE LOOPED TO POINTS ON SAME SHELF JACK AS REQUIRED IN ACCORDANCE WITH NUMBERING SCHEME.
4. ON SOME EARLY EQUIPMENT BATTERY WIRING IS BK.

FIG. 1D
DISCRIMINATING RELAY SET.

ABSORBS 1ST & 2ND DIGIT.
DISCRIMINATES ON 1ST, 2ND & 3RD
(3 CIRCUITS PER BASE.)

DISCRIMINATING SELF REPEATER REGULAR & PARTY LINE 200 OUTLET 2000 TYPE WITH OVERFLOW ROUTING FACILITY			
WAS GBU 10420/1/2/3/4 MOD B (2498)	1	6-7-73	BSH
AMENDMENT PARTICULARS	ISSUE	DATE	APPD.
N.Z. P.O.	DRAWN	CHECKED	WIRING
			CIRCUIT.
GBU	20180	20183	SHEET
	20181	20184	3-3.
	20182		