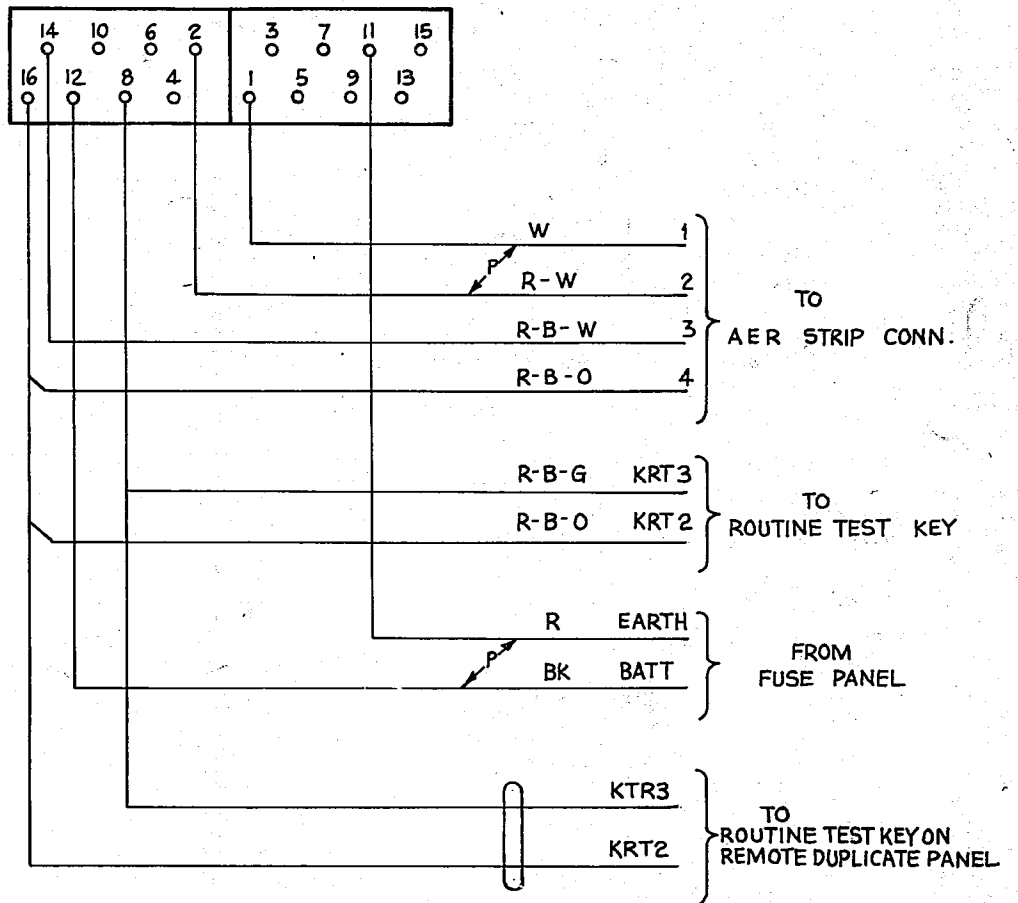


AS SEEN FROM REAR



**NOTES**

1. ALL WIRING TO BE 22 SWG

				GRADUATED HOWLER (GEO-THERMAL AREAS)			
				(58282)	1	10-2-67	A/B.
AMENDMENT PARTICULARS				ISSUE	DATE	APP2	50V E
N.Z.P.O.				DRAWN	CHECKED	WIRING	CIRCUIT
				GBU		19110	