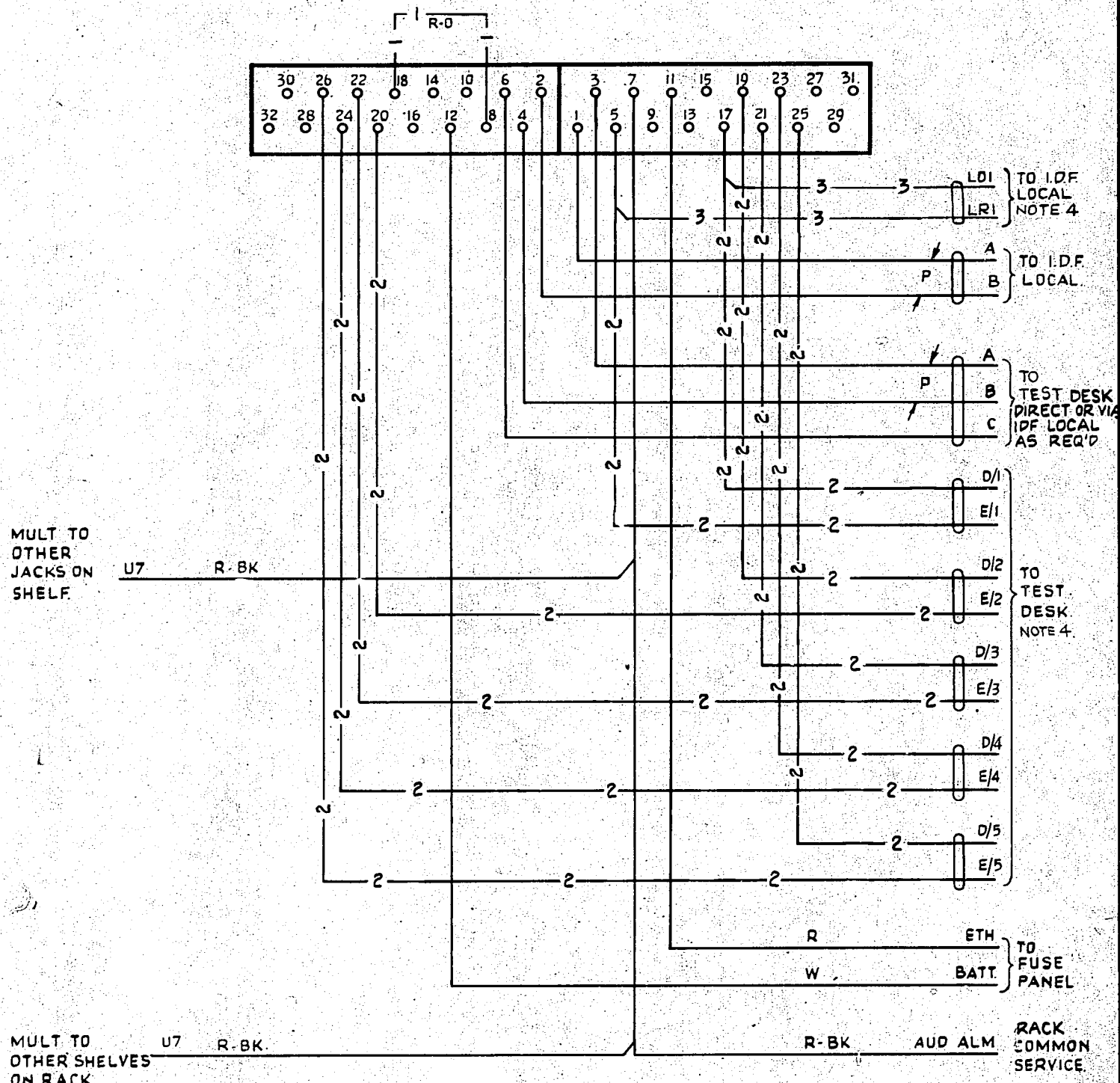


AS SEEN FROM REAR

NOTE 2



MULT TO OTHER JACKS ON SHELF

U7 R-BK

MULT TO OTHER SHELVES ON RACK

U7 R-BK

R-BK AUD ALM

RACK COMMON SERVICE

NOTES

1. SHELF JACK U POINTS 9 & 11 MAKE CONTACT WHEN RELAY SET IS REMOVED.
2. INSERT STRAP SHOWN - 1 - 1 - FOR LOOP CALLING.
3. WIRING NOT OTHERWISE SPECIFIED TO BE 22 SWG.

4. WHEN THE NUMBER OF TEST POSITIONS IS FIVE OR LESS, OMIT CONNS. - 3 - 3 - & ADD CONNS. - 2 - 2 - WHEN THE NUMBER OF TEST POSITIONS EXCEEDS FIVE OMIT CONNS. - 2 - & ADD CONNS. - 3 -

				AUTOMATIC TELEX SYSTEM CALLING RELAY SET FOR MISC SPEAKER CIRCUITS TERMINATED ON THE TEST DESK 2000 TYPE			
				(86681)		1 8 4 68 <i>Am</i>	
AMENDMENT PARTICULARS				ISSUE DATE		APPD	
N.Z.P.O.		DRAWN		CHECKED		WIRING	
						GBU 17880	
				50V		E	

