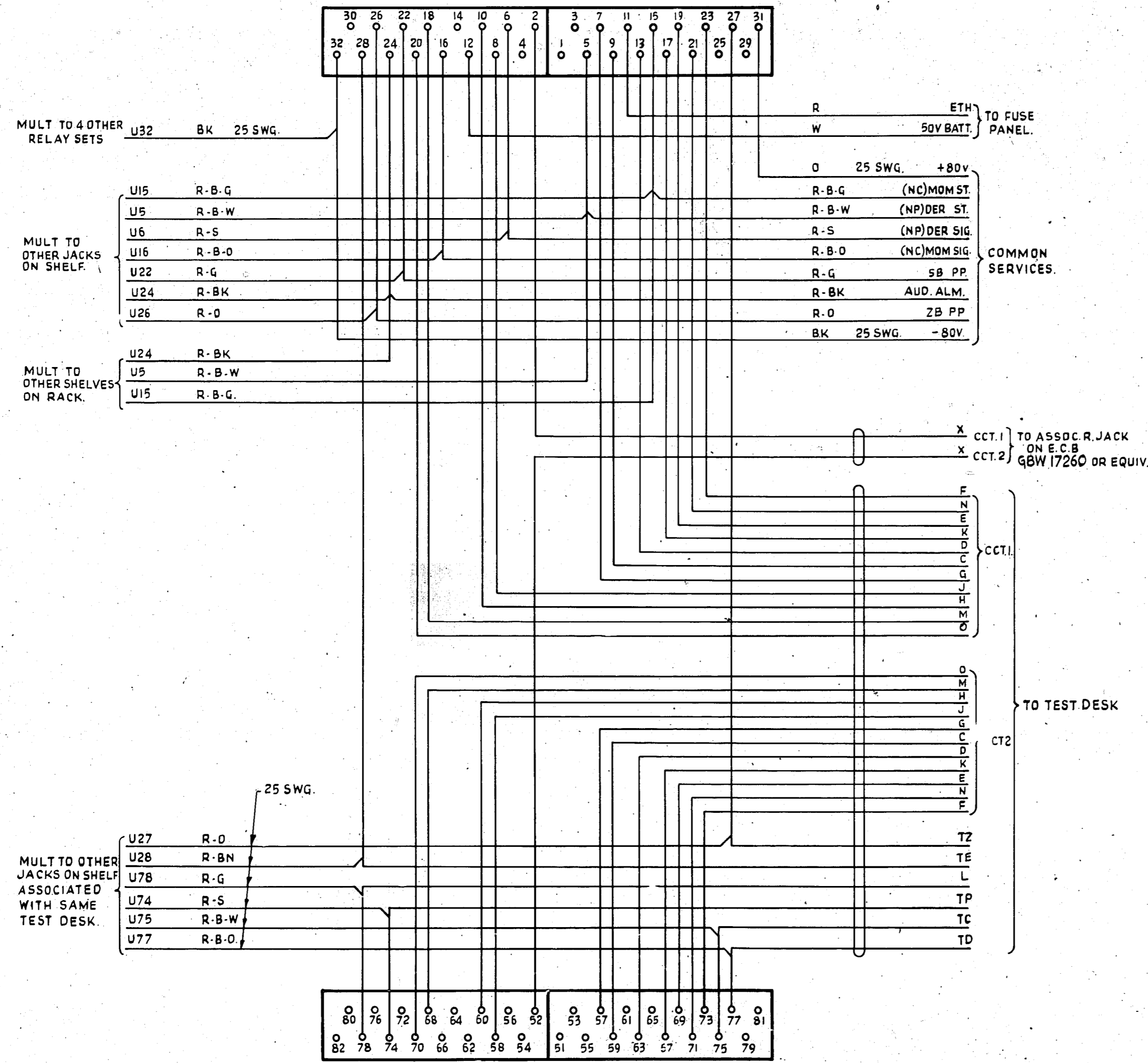


AS SEEN FROM REAR



NOTES

1. WIRING NOT OTHERWISE SPECIFIED TO BE 22 SWG.

				AUTOMATIC TELEX SYSTEM TEST & PLUGGING UP CIRCUIT WITH CALL-IN FACILITY 2000 TYPE			
				(86681)	1	8-4-68	<i>huc</i>
AMENDMENT PARTICULARS				ISSUE	DATE	APPR.	50V E
N.Z.P.O.		DRAWN	CHECKED	WIRING	CIRCUIT.	GBU 17860	