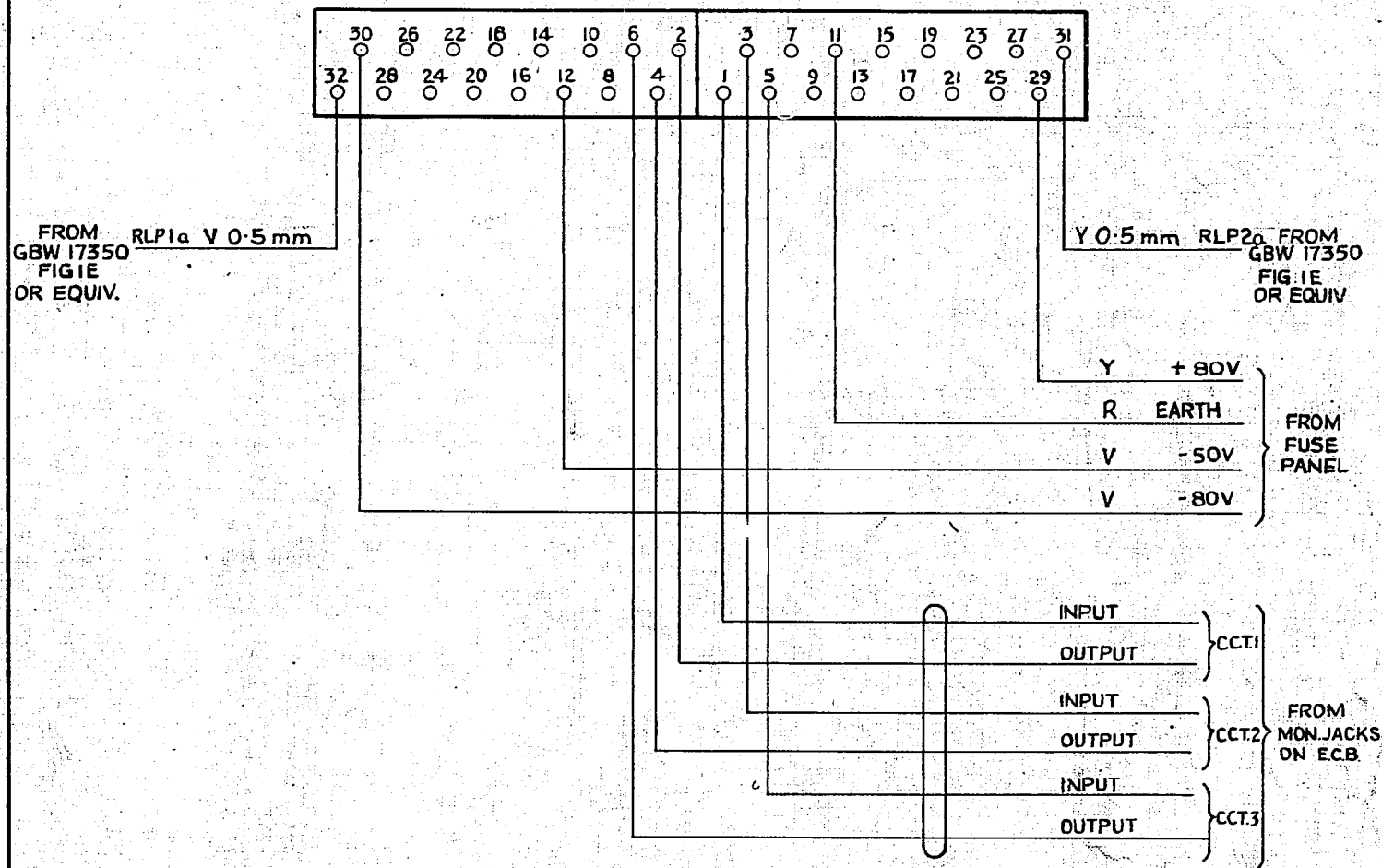


AS SEEN FROM REAR



NOTES

1. ALL WIRING TO BE 0.7mm UNLESS OTHERWISE SPECIFIED
2. ON SOME EARLY EQUIPMENT -50V BATTERY WIRING IS W, -80V WIRING IS BK AND +80V WIRING IS O.

					AUTOMATIC TELEX SYSTEM MONITORING RELAY SET		
NOTE 2 ADDED WIRE SIZES CONVERTED TO METRIC (30379)					2	28-3-72	A.D.P.
(77763)					1	2-5-63	<i>Fe</i>
AMENDMENT	PARTICULARS	ISSUE	DATE	APPD	SIZE	F	50V E
N.Z.P.O.		DRAWN	CHECKED	WIRING	CIRCUIT	GBU 17640	

