

FIG 1A GENERATOR CHANGEOVER & ALARM RELAY SET A PART I
AS SEEN FROM REAR

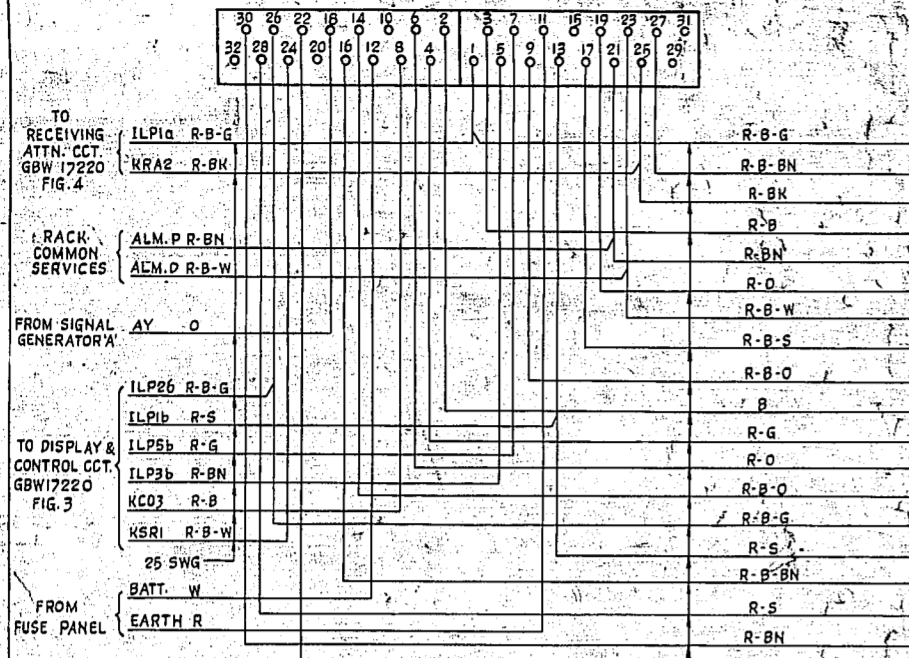


FIG 2A GENERATOR CHANGEOVER & ALARM RELAY SET B PART I
AS SEEN FROM REAR

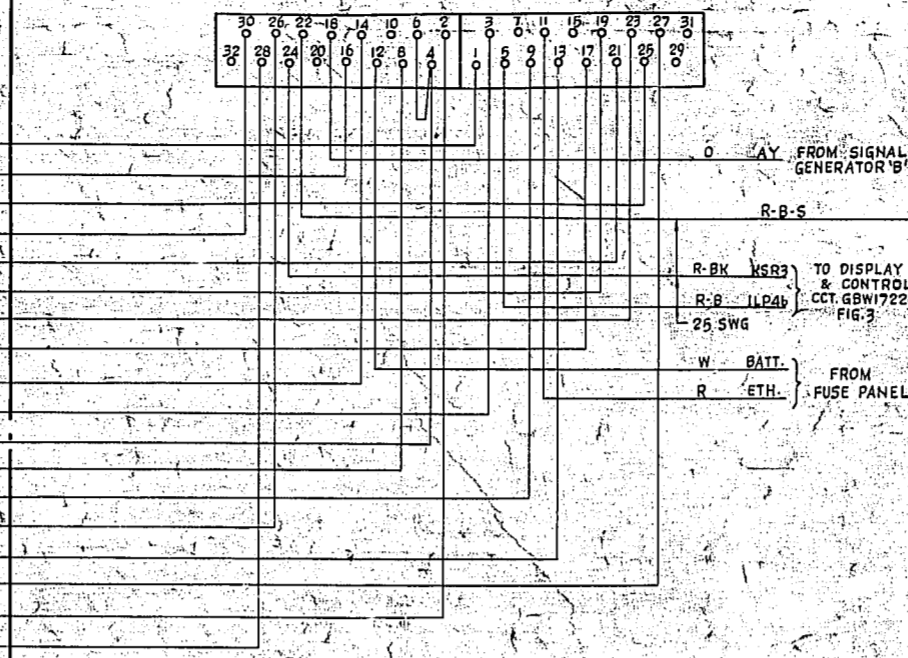


FIG 2B GENERATOR CHANGEOVER & ALARM RELAY SET B PART 2
AS SEEN FROM REAR

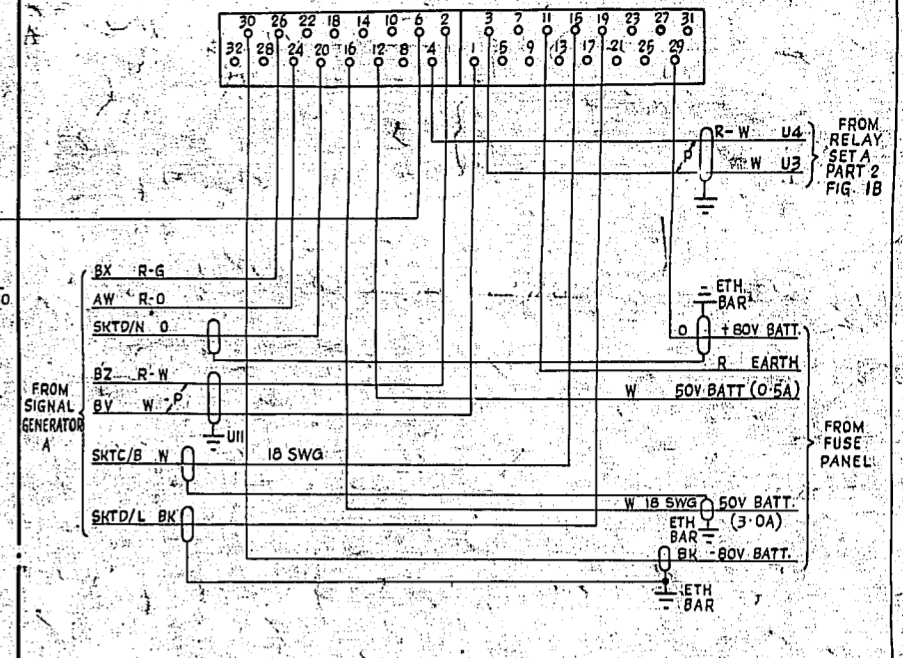
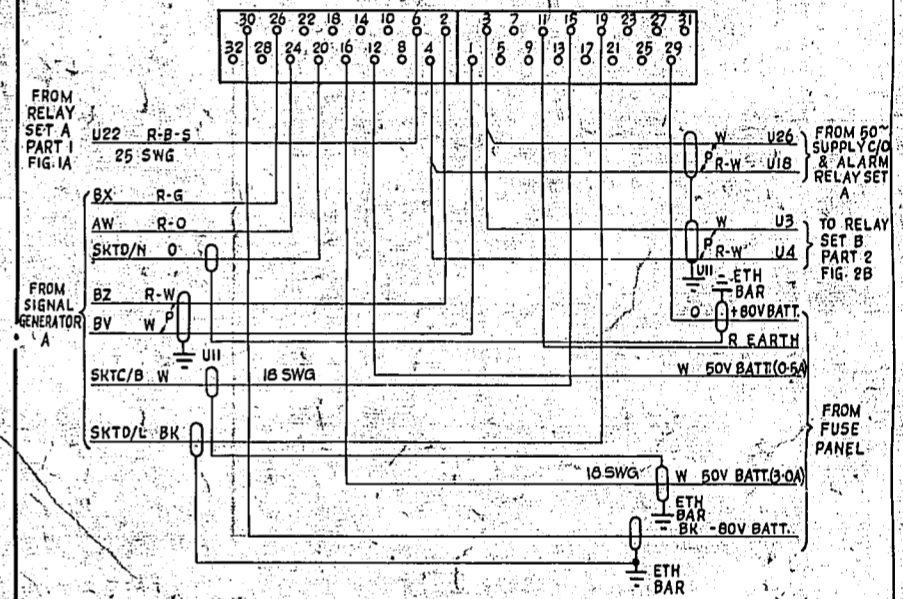


FIG 1B GENERATOR CHANGEOVER & ALARM RELAY SET A PART 2
AS SEEN FROM REAR



NOTES

1. ALL WIRING TO BE 22 SWG UNLESS OTHERWISE SPECIFIED
2. SHELF JACK U POINTS 9 & 11 MAKE CONTACT WHEN RELAY SETS ARE REMOVED

