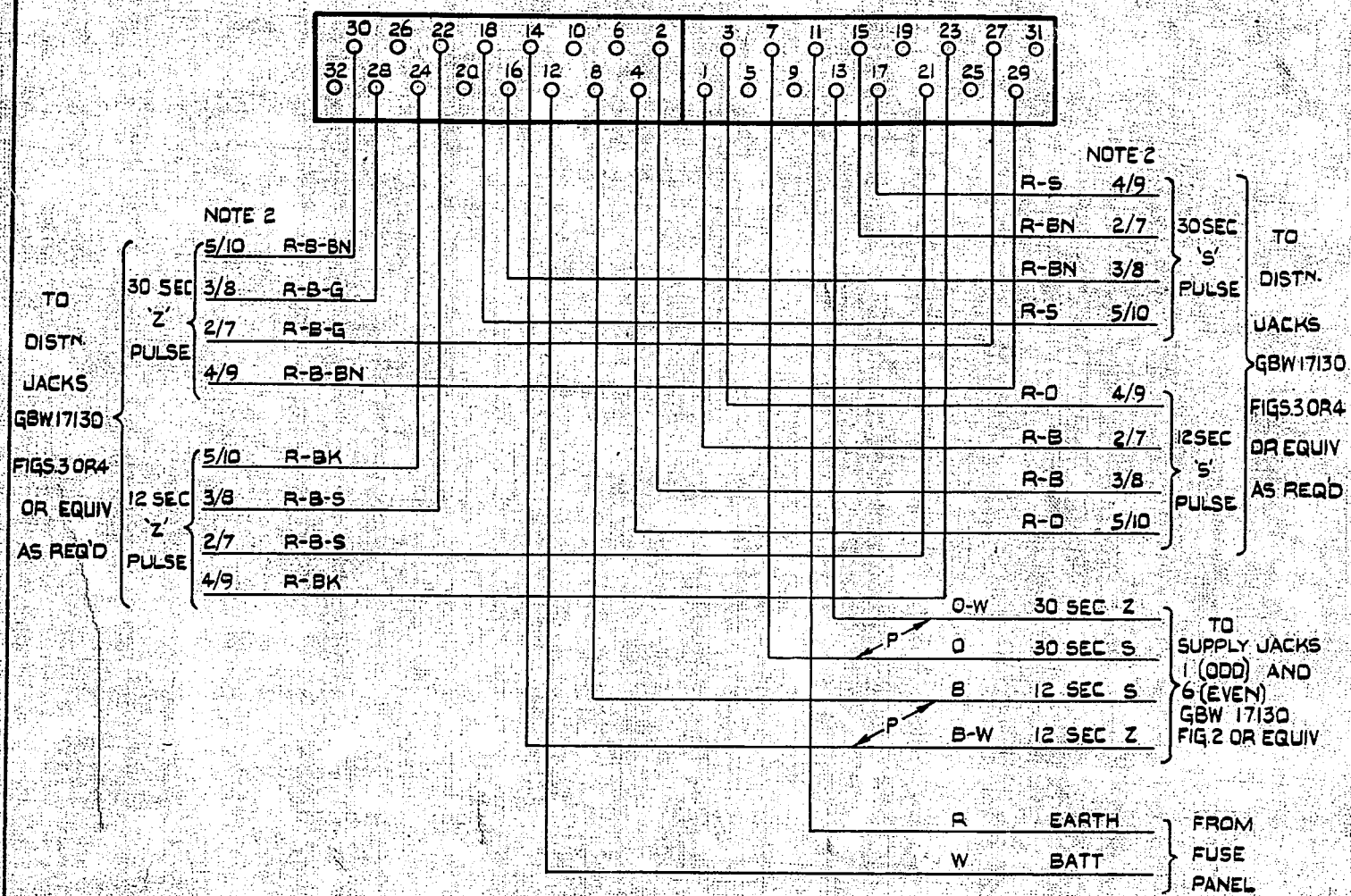


AS SEEN FROM REAR



NOTES

1. ALL WIRING TO BE 22.SWG UNLESS OTHERWISE SPECIFIED.
2. NUMBERS INDICATE POSITION OF JACKS IN JACK FIELD. NUMBERS BEFORE AND AFTER THE OBLIQUE STROKE APPLY TO ODD AND EVEN RELAY SETS RESPECTIVELY.
3. SHELF JACK U-POINTS 9&11 TO MAKE CONTACT WHEN RELAY SET IS REMOVED.

				AUTOMATIC TELEX SYSTEM			
				12 AND 30 SECOND			
				S AND Z PULSE DISTRIBUTION			
(70503)				1.	27-3-63	Lee	
AMENDMENT PARTICULARS				ISSUE	DATE	APP'D	50 V E
N.Z.P.O.				DRAWN	CHECKED	WIRING CIRCUIT	GBU 17130

Centimetres

15

20

25

30