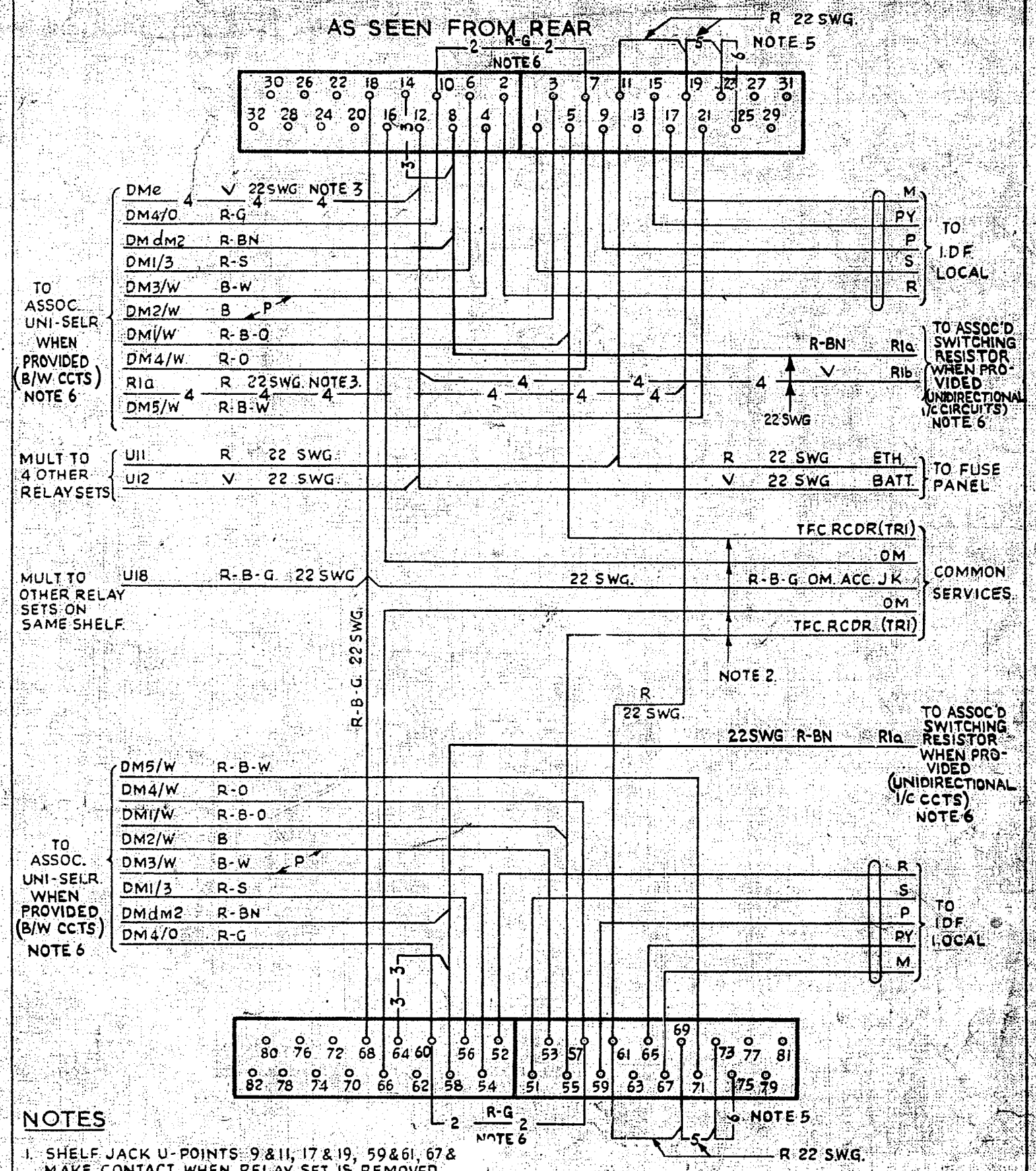




AS SEEN FROM REAR



NOTES

1. SHELF JACK U-POINTS: 9 & 11, 17 & 19, 59 & 61, 67 & 69 MAKE CONTACT WHEN RELAY SET IS REMOVED.
2. FOR COLOURS SEE GBW 17310 OR EQUIV.
3. CONNS SHOWN - 4 - 4 - ARE REQD ONLY ON THE 1ST JACK OF EACH GROUP OF 5 SHELF JACKS SERVED BY THE SAME FUSE
4. WIRING NOT OTHERWISE SPECIFIED TO BE 25 S.W.G.
7. ON SOME EARLY EQUIPMENT BATTERY WIRING IS V
- 5 (a) WHEN A STATION LINE INCLUDES A V.F. CHANNEL OR CONNECTS EITHER A SERVICE STATION OR A STATION CONNECTED TO A SATELLITE EXCHANGE, STRAP SHELF JACK POINTS 23-19 OR 73-69
- 5 (b) WHEN A STATION LINE DOES NOT INCLUDE A V.F. CHANNEL & CONNECTS AN ORDINARY SUBSCRIBERS STATION STRAP SHELF JACK POINTS 23-25 OR 73-75 FOR UNIDIRECTIONAL I/C LINES PROVIDE STRAPS SHOWN - 2-2- AND CONNECTIONS TO SWITCHING RESISTOR IN LIEU OF STRAPS SHOWN - 3-3- AND CONNECTIONS TO UNISELECTOR
- 6

				AUTOMATIC TELEX SYSTEM	
				STATION LINE CIRCUIT	
NOTE 5(a) REVISED	(39455)	3	28.6.71	JWE	
BATT. WIRE COLOURS CHANGED NOTE 7 ADDED	(21933)	2	10.4.70	JP	
	(70503)	1	27.3.63	ten	
AMENDMENT PARTICULARS	ISSUE	DATE	APPD.	SIZE F	50V E
				GBU 17000	
N.Z.P.O.	DRAWN	CHECKED	WIRING	CIRCUIT	