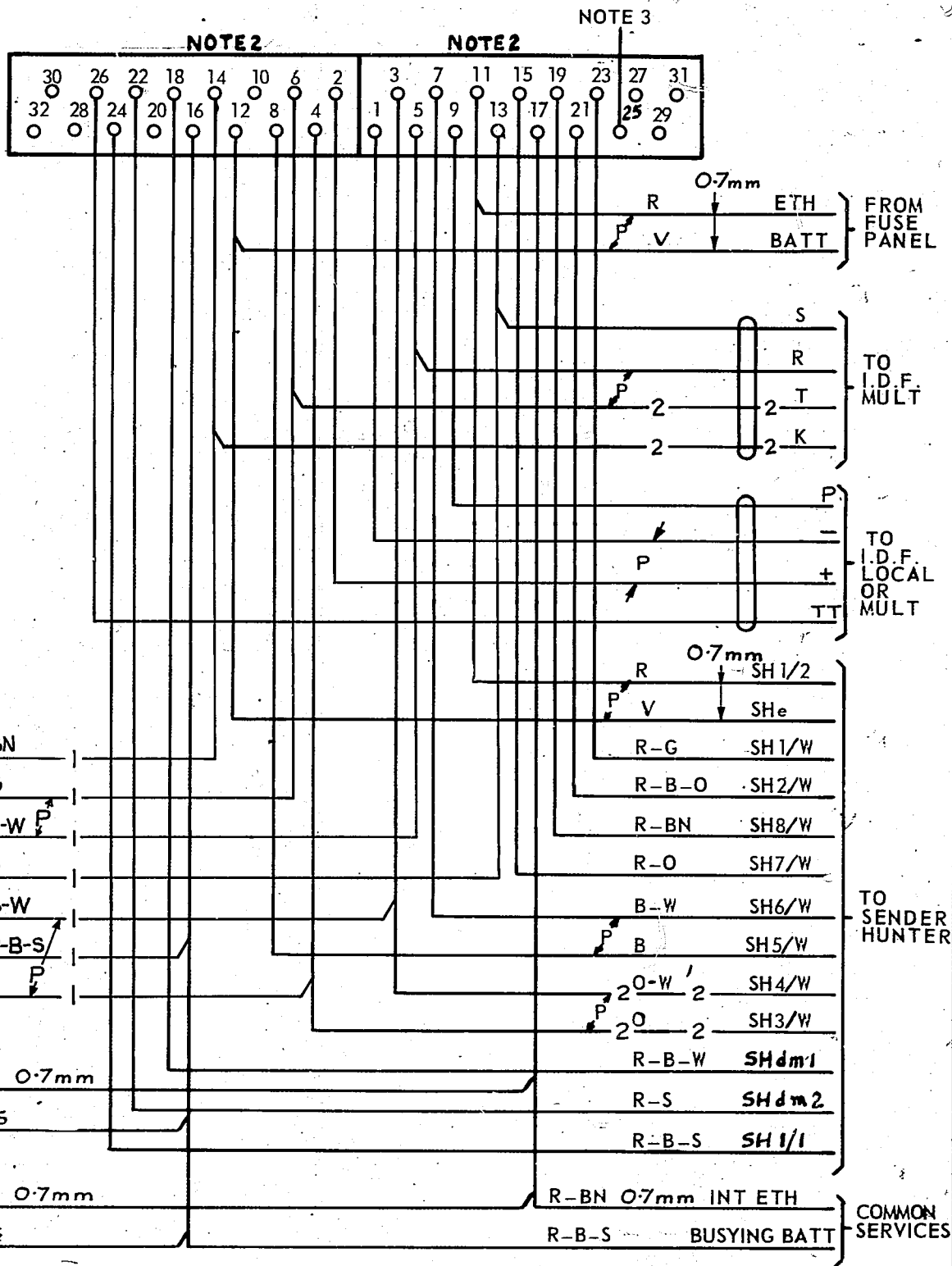


AS SEEN FROM REAR



NOTES :-

1. ALL WIRING TO BE 0.5 mm UNLESS OTHERWISE SPECIFIED.
2. SHELF JACK U POINTS 9 & 11 AND 14 & 16 TO MAKE CONTACT WHEN RELAY SET IS REMOVED.
3. U25 TO BE STRAPPED TO U11 FOR UNDER 3db UNREPEATERED TRUNKS.
4. CABLING SHOWN—1—ONLY PROVIDED ON THE LATE CHOICE RELAY SET CHOSEN FOR TEST ACCESS (GBW 20240) AND WIRING SHOWN—2—DELETED.

				SLEEVE CONTROL SYSTEM OUTGOING TO AUTO RELAY SET WITH SENDER HUNTER INTERNATIONAL EXCHANGE			
LEADS TO TEST ACCESS & NOTE 4 ADD (2135)		3	17-8-72	B.S-H.			
LEAD TT FROM U26 ADDED TITLE AMD (13672)		2	11-5-70	Rw			
AMENDMENT PARTICULARS		ISSUE	DATE	APPD	REF	50v.	H
				GBU 16940			
DRAWN	CHKD	WIRING					
LH	EF	EF					

Centimetres

