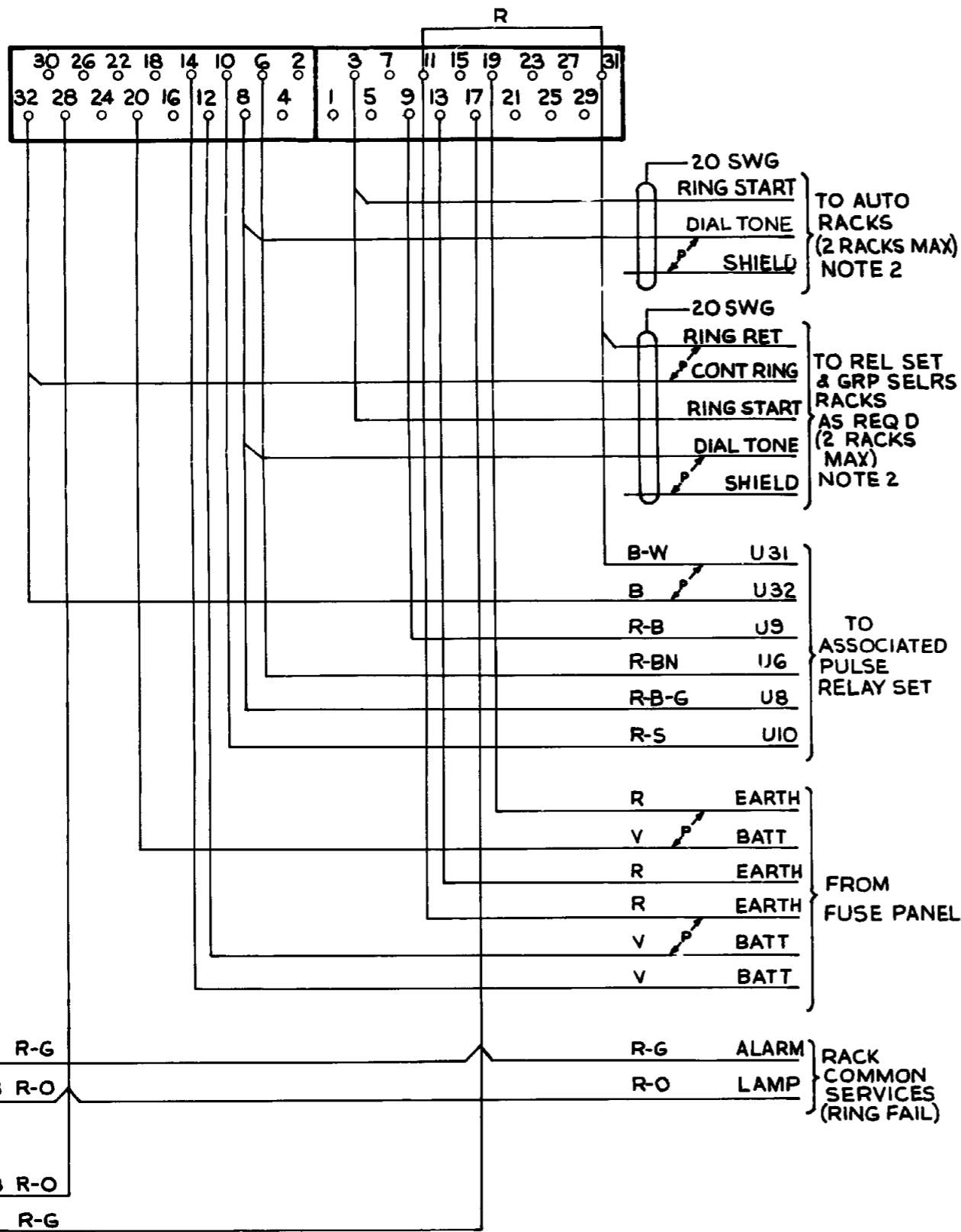


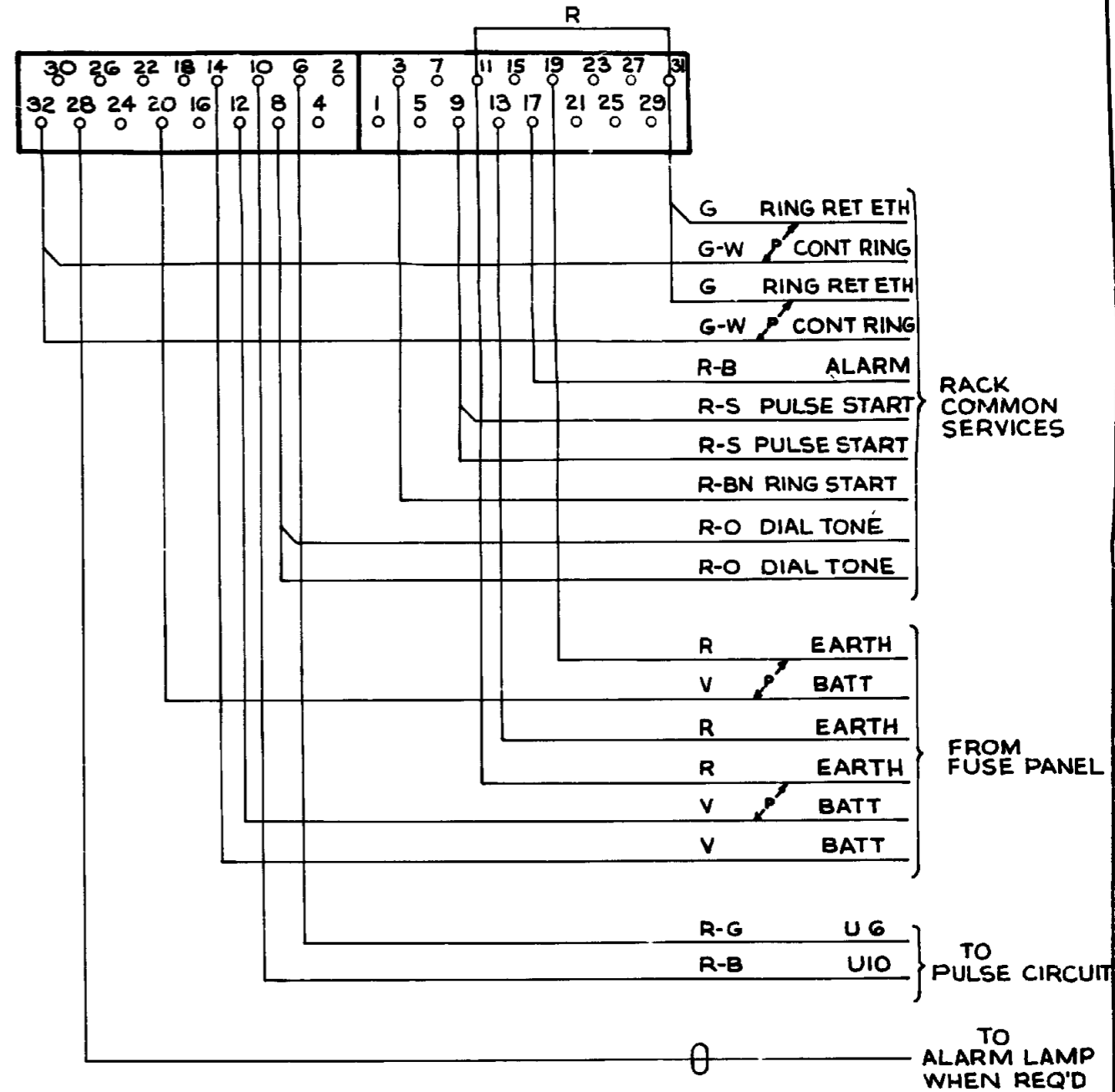
FIG 1B
50/1200 LINE PA BX
AS SEEN FROM REAR



NZ NOTES

A WHEN GBW 16761 IS USED AS AN ALTERNATIVE FOR GBW 13250, GBW 14130 OR GBW 14700 USE GBU 13250, GBU 14130 OR GBU 14700

FIG 1A
20, 35 OR 49 LINE PA BX
AS SEEN FROM REAR



NOTES

- FIG 1A ALL WIRING TO BE 25 SWG
FIG 1B ALL WIRING TO BE 22 SWG
- EACH FIG 1B MUST SERVE THE SAME RACK OR RACKS AS ASSOCIATED PULSE RELAY SET
- ON SOME EARLY EQUIPMENT BATT WIRING IS BK

				PABX RINGING & TONES CIRCUIT			
RETRACED	(86534)	3A	19 8 75	GFE			
NZ NOTE A ADD	(8429)	3A	22 4 71	GFE			
16761 ADD TO DGM N°	NOTE 3 ADD (16010)	3	16 7 70	GJD			
AMENDMENT PARTICULARS				ISSUE	DATE	APP ^o	SIZE S 50 V E
NZ PO		DRAWN	CHECKED	WIRING	CIRCUIT	GBU 16760 GBU 16761	