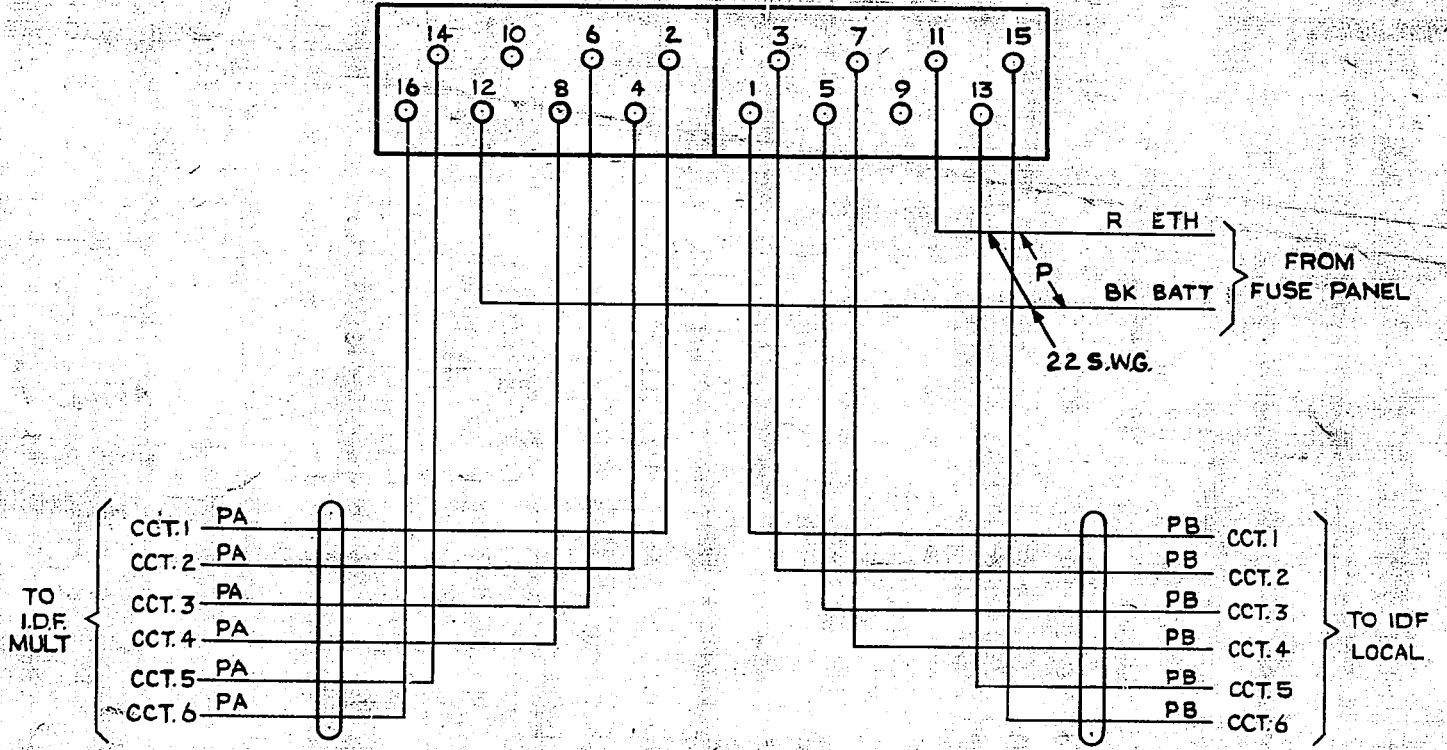


# FIG.2.

## AS SEEN FROM REAR



5 Centimetres

15

20

25

30

P-WIRE REPEATER  
EARTH TESTING SELECTORS  
NON-METERING

(91309) I. 20-11-64 SA  
AMENDMENT PARTICULARS ISSUE DATE APP.

REF - N.Z.P.O.DGM.29710 SHT3 50V S

N.Z.P.O. DRAWN HBB CHECKED WIRING CIRCUIT

GBU 16680