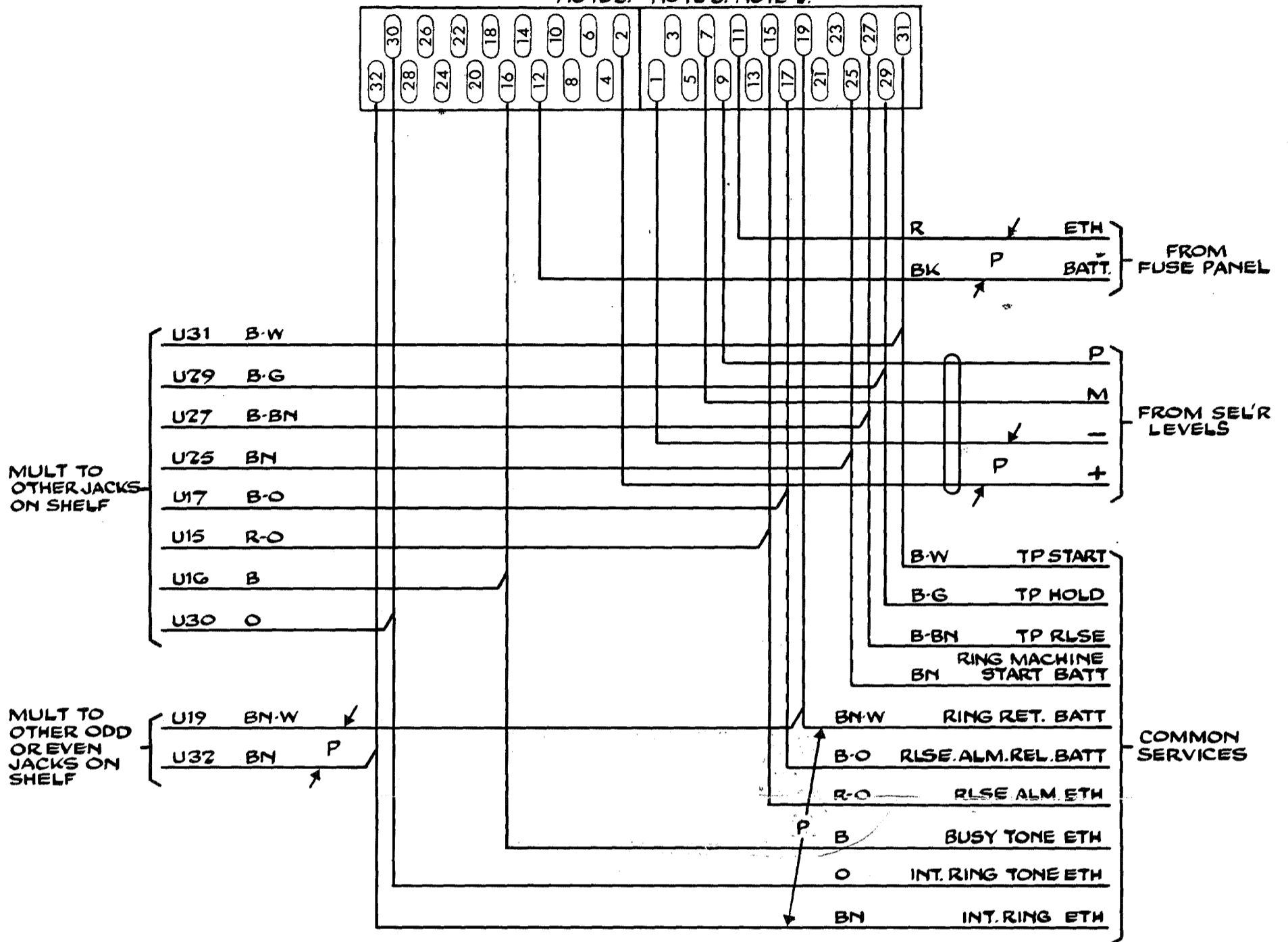


AS SEEN FROM REAR

NOTE 3. NOTE 3. NOTE 2.



NOTES:-

1. ALL WIRING TO BE 22 SWG UNLESS OTHERWISE SPECIFIED.
2. SHELF JACK 'U' POINTS 9&11 TO MAKE CONTACT WHEN SELECTOR IS REMOVED
3. SHELF JACK 'U' POINTS 5 & 6 ARE NOT SPARE AS ASSOCIATED PLUG POINTS ARE USED FOR BARRETTER ACCESS.
4. ON EARLY EQUIPMENT, RING RET. BATT. & INT. RING ETH. WIRE COLOURS WERE BK. & R RESPECTIVELY.

				REF. 50v H		
DIAGRAM REVISED. NOTE 4 ADDED. (21601)				3	27-4-70	Rw
WRG. FROM U16 & U30 WAS SHOWN R-B & R-B'S RESPLY.				2		
AMENDMENT				ISSUE	DATE	APP.D
A3	DRN	APPROVED	ENG	MATERIAL	FINISH	TOLERANCES (UNLESS OTHERWISE STATED)
	W.J.C.		MTH			
A4	TR	DEPT	DRFT	THREE PLACE DECIMAL DIMNS		
	CHK					
N.Z.P.O.		100 LINE FINAL SELECTOR ORDINARY U.A.X. N.Z. 13		TWO PLACE DECIMAL DIMNS		
				FRACTIONAL DIMENSIONS		
				OTHER REQUIREMENTS TO E.S.15		
				GBU 16660		