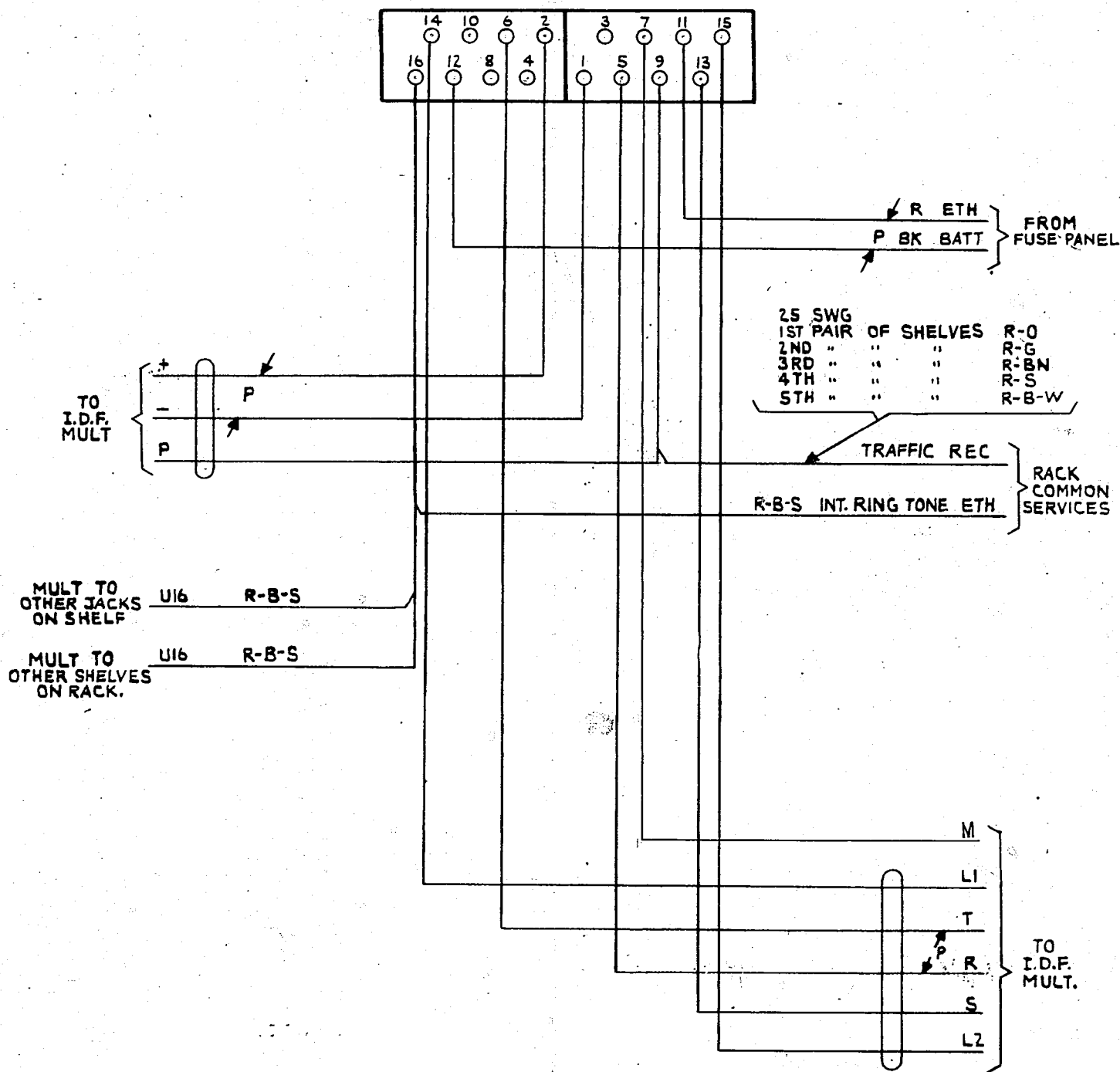


AS SEEN FROM REAR



NOTES.

1. SHELF JACK UPTS U9 & U11 TO MAKE CONTACT WHEN RELAY SET IS REMOVED.
2. ALL WIRING TO BE 22 SWG. UNLESS OTHERWISE SPECIFIED.

				SELECTOR LEVEL RELAY SET SPECIAL SERVICES S.C.S.	
				(34055)	A 24571
AMENDMENT PARTICULARS				ISSUE DATE	APP. REF. :-
					50V S
				GBU 16650 MOD B	
N.Z.P.O.	DRAWN H.B.B.	CHECKED <i>[Signature]</i>	WIRING E.L.	CIRCUIT	

