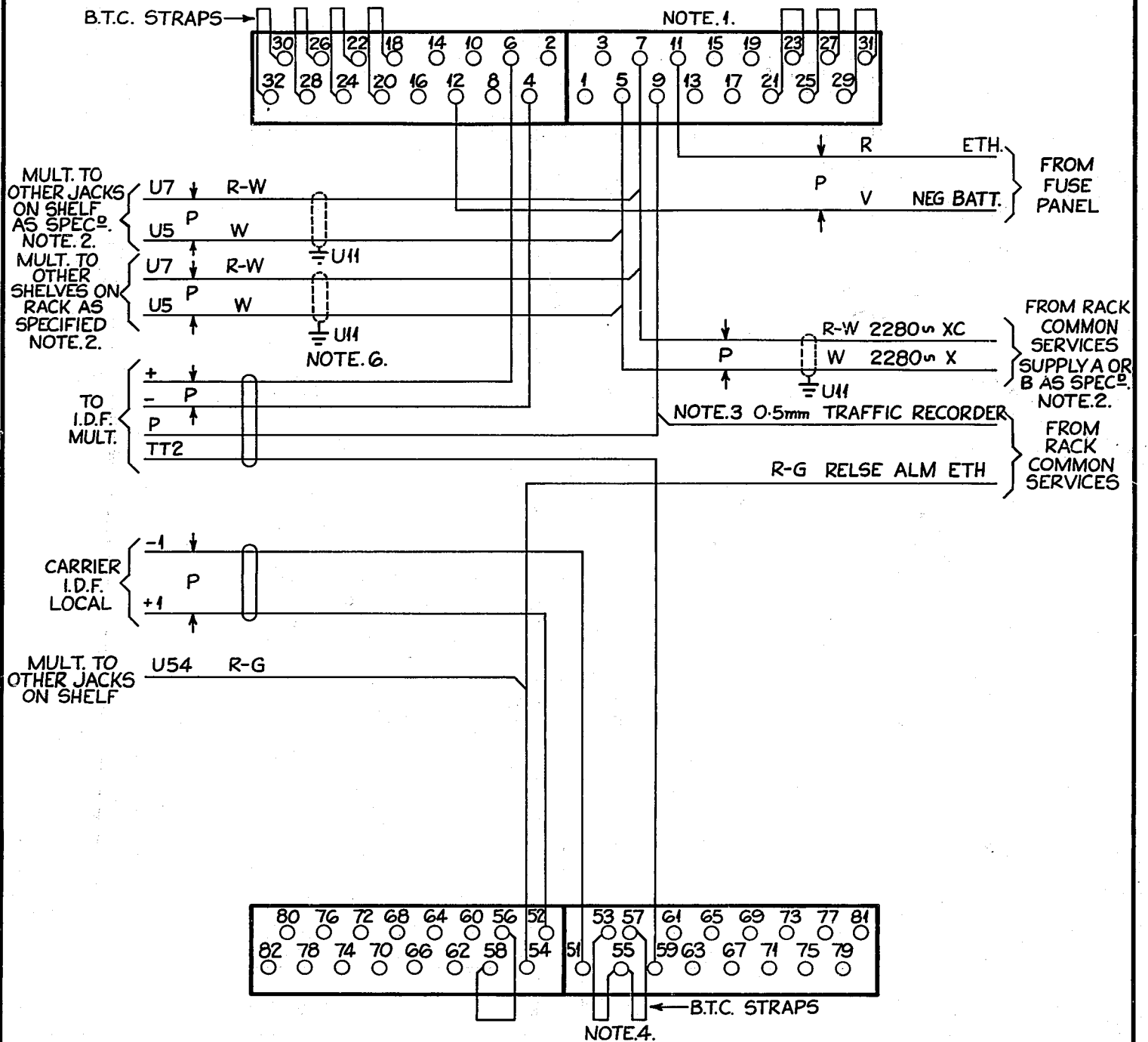


AS SEEN FROM REAR



NOTES:-

1. SHELF JACK POINTS U9 & U11 TO MAKE CONTACT WHEN RELAY SET IS REMOVED.
2. FOR OSCILLATOR SUPPLY TO RELAY SET POSITIONS SEE TABLE 1 ON GBW 12110 OR EQUIVALENT.
3. COLOUR FOR FIRST PAIR OF SHELVES - R-O
 " " SECOND " " - R-G
 " " THIRD " " - R-BN
 " " FOURTH " " - R-S
4. PAD CONTROL
 FOR REPEATERED TRUNKS STRAP U55-U53.
 FOR UNREPEATERED TRUNKS OVER 3db
 NO STRAP.
 FOR UNREPEATERED TRUNKS UNDER 3db
 STRAP U55-U57.
5. ALL WIRING NOT OTHERWISE SPEC. TO BE 0.7mm.
6. THE SCREENS OF THE SCREENED PAIRS TO BE BONDED TOGETHER TO FORM AN ELECTRICALLY CONTINUOUS SCREEN AND CONNECTED TO EARTH AT U11 ON THE FIRST RELAY SET ON THE FIRST SHELF WITH 0.7mm RED.
7. ON EARLIER EQUIPMENT COLOUR OF BATT. WIRING WAS BK. & METRIC WIRE SIZES WERE NOT SHOWN.

| | | | | |
|--|---------|--------------|----------------|----------------|
| NOTE 7 AMENDED. | (30338) | 4 | 6-7-72 | B.S.H. |
| NOTES 2&3 AMENDED. | (34107) | 3 | 3-6-71 | B.S.H. |
| CARRIER I.D.F. WAS I.D.F. OR M.D.F. NOTE.4. & TITLE AMENDED NOTE.7. ADDED. | (13808) | 2 | 20-10-70 | R.W. |
| | (02972) | 1 | 8-10-65 | J.K. |
| AMENDMENT PARTICULARS | | | | |
| N.Z.P.O. | | DRAWN M.A.B. | CHECKED E.J.L. | WIRING E.F. |
| | | | | CIRCUIT A.S.H. |

UNIDIRECTIONAL
O/G LINE CCT.
N.Z.S.S. AC No 2T

REF:- IVF SIZE: F 50V 5

GBU 16550