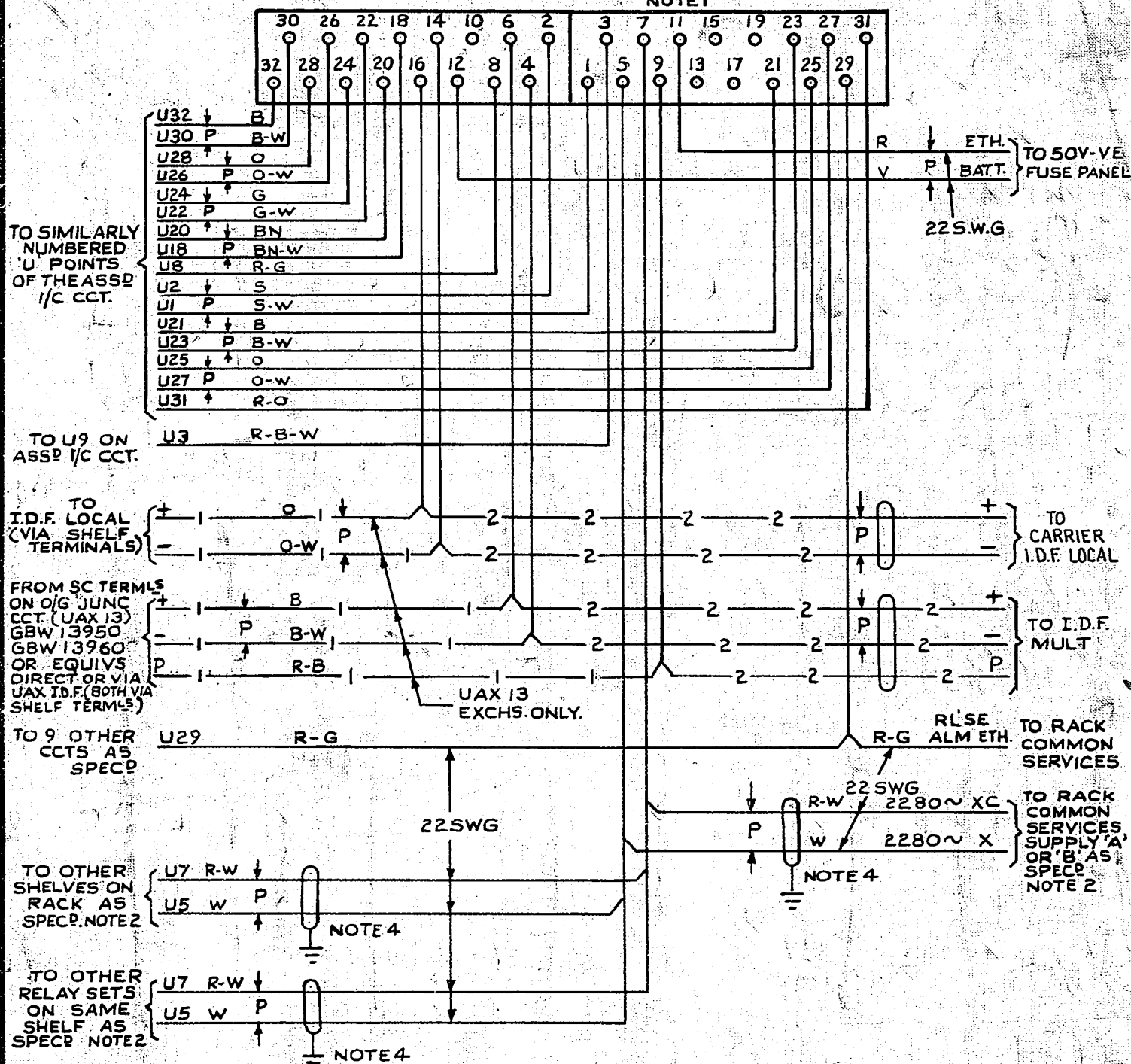


AS SEEN FROM REAR

NOTE 1



NOTES

1. SHELF JACK U POINTS 9 & 11 MAKE CONTACT WHEN RELAY SET IS REMOVED
2. FOR OSCILLATOR SUPPLY TO RELAY SET POSITIONS SEE TABLE 1. GBW 12110 OR GBW 13730.
3. ALL WIRING NOT OTHERWISE SPECIFIED TO BE 25 SWG.
4. THE SCREENS (OF THE SCREENED PAIRS) TO BE BONDED TOGETHER TO FORM AN ELECTRICALLY CONTINUOUS SCREEN.
5. ON SOME EARLIER EQPT. COLOUR OF BATT. WIRING WAS BK.

				PARENT EXCHANGE O/G LINE CIRCUIT FOR BOTHWAY JUNCTIONS (FOR USE WITH I/C LINE CIRCUIT) TO DEPENDENT EXCHANGE N.Z. S.S. A.C. N° 3T	
NOTE 5 ADDED.	(86377)	3	18-11-69	RW	
CABLING FROM U PTS. 14 & 16 AMENDED.	(8738)	2	9-12-68		
	(58225)	1	3-2-67	R/S	
AMENDMENT PARTICULARS	ISSUE DATE	APP	REF - IVF	50V	S
N.Z.P.O.	DRAWN E. J. L.	CHECKED	WIRING CIRCUIT	GBU 16510	

Centimetres

10

15

20

25

30