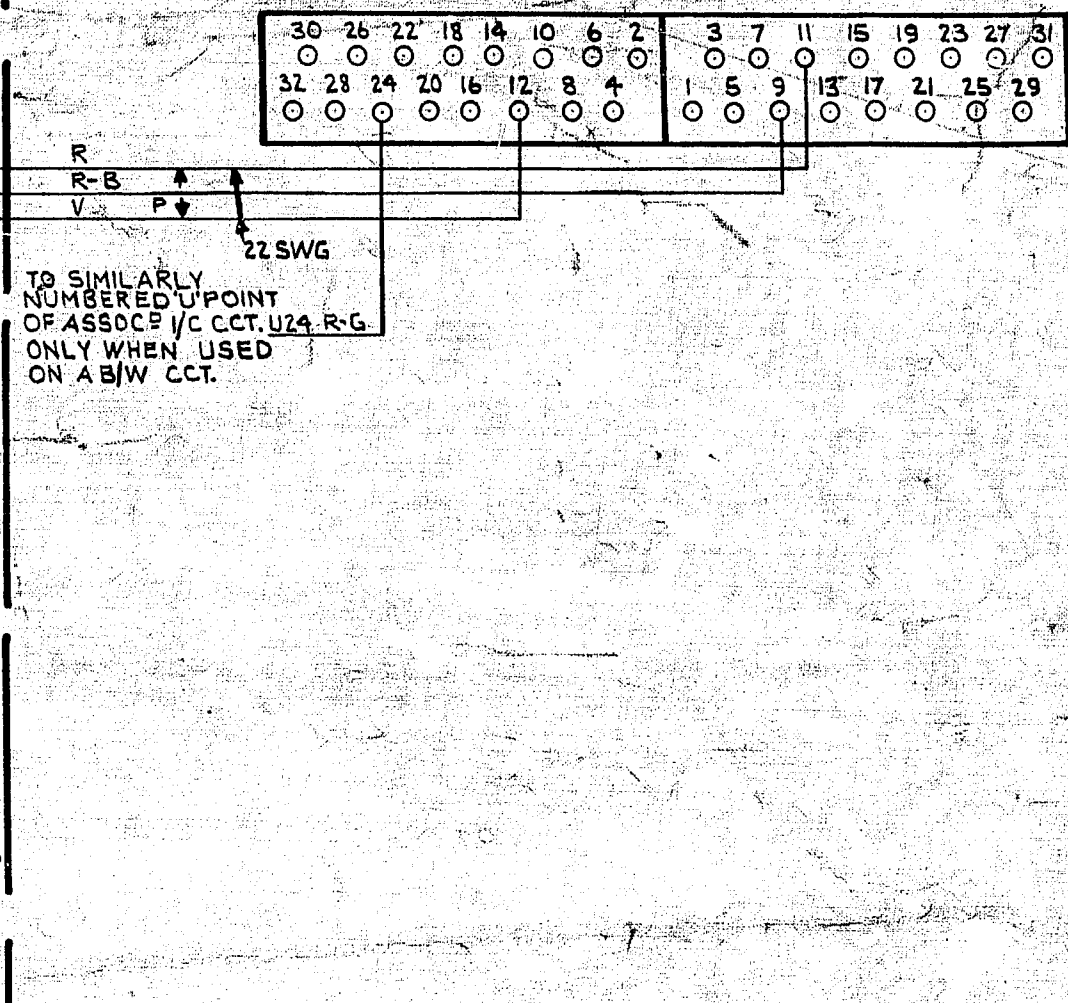
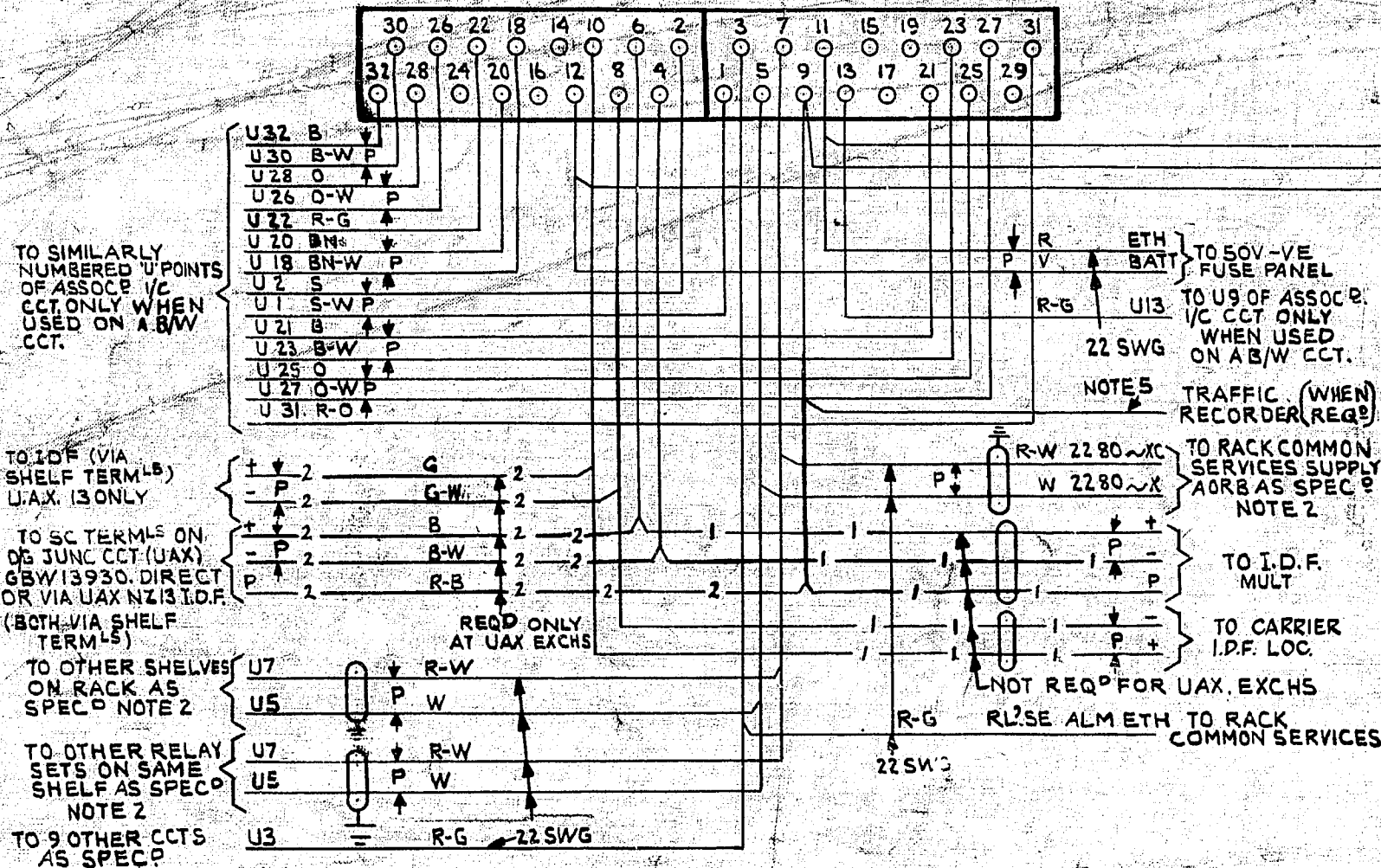


AS SEEN FROM REAR

AS SEEN FROM REAR



Centimetres

5

10

15

20

25

30

FIG. 1B.
PART. 2.

FIG. 1A.
PART. 1.

NOTES.

1. SHELF JACK U POINTS U9 & U11 (PARTS 1 & 2) MAKE CONTACT WHEN RELAY SET IS REMOVED
2. FOR OSCILLATOR SUPPLY TO RELAY SET POSITIONS SEE TABLE 1 GBW 12110 OR GBW 13730
3. ALL WIRING UNLESS OTHERWISE SPECIFIED TO BE 25 SWG
4. THE SCREENS (OF THE SCREENED PAIRS) TO BE BONDED TOGETHER TO FORM AN ELECTRICALLY CONTINUOUS SCREEN
5. FOR COLOUR SEE RACK COMMON SERVICES GBW 12110 OR GBW 13730 OR EQUIVALENT
6. ON EARLIER EQUIPMENT COLOUR OF BATT. WIRING WAS BK.

DEPENDENT EXCHANGE O/G LINE CIRCUIT FOR BOTHWAY JUNCTIONS (FOR USE WITH 1/2 LINE CIRCUIT) TO PARENT EXCHANGE N.Z. S.S. A.C. No 3T.	
I.D.F. LOC. AMD. TO CARRIER I.D.F. LOC. NOTE G ADDED (13742) (58227)	2 1-10-70 R.W. 3-2-67 QIB
AMENDMENT PARTICULARS.	ISSUE DATE APPD. REF: IVF 50V S
N.Z.P.O.	DRAWN CHECKED WIRING CIRCUIT G.A. Ash

GBU 16490