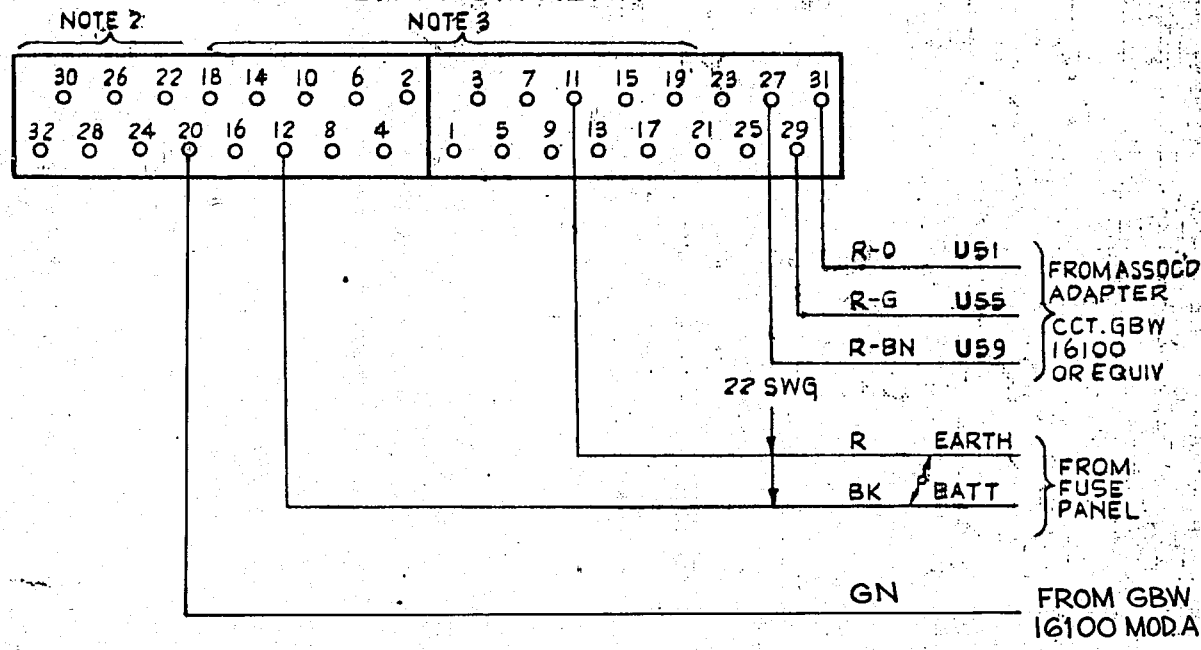


AS SEEN FROM REAR



NOTES

- ALL WIRING TO BE 25 SWG. UNLESS OTHERWISE SPECIFIED
- WHEN 4 DIGITS ARE TO BE DIALLED STRAP U32 TO U30, 28, 26 & 24 AND U22 TO U20
 " 3 " " " " " " U32 TO U30, 28, & 26 AND U22 TO U24
 " 2 " " " " " " U32 TO U30 & 28 AND U22 TO U26
 " 1 " " " " " " U32 TO U30, AND U22 TO 28
- SHELF JACK U POINTS TO BE STRAPPED TO PROVIDE DIGIT MARKING AS FOLLOWS
- U20 FOR COIN BOX FUNCTION.

DIGIT	STRAP U1 TO OR U30:-			
	1 ST DIGIT	2 ND DIGIT	3 RD DIGIT	4 TH DIGIT
9	U4	U14	U5	U15
8	U6	U16	U7	U17
7	U4 & U6	U14 & U16	U5 & U7	U15 & U17
6	U2	U10	U3	U13
5	U8	U18	U9	U19
4	U4 & U8	U14 & U18	U5 & U9	U15 & U19
3	U6 & U8	U16 & U18	U7 & U9	U17 & U19
2	U4 & U2	U14 & U10	U5 & U3	U15 & U13
1	U2 & U8	U10 & U18	U3 & U9	U13 & U19
0	U6 & U2	U16 & U10	U7 & U3	U17 & U13

NIGHT SWITCHING
 1 TO 4 DIGIT
 GENERATING CIRCUIT

PREPARED FROM GBU. 16230. ISS. 1 (054372) A 19 10 84 GCG

AMENDMENT PARTICULARS ISSUE DATE APD

50V E

NZPO

DRAWN BY: WIRING

GBU. 16230 MOD. A

