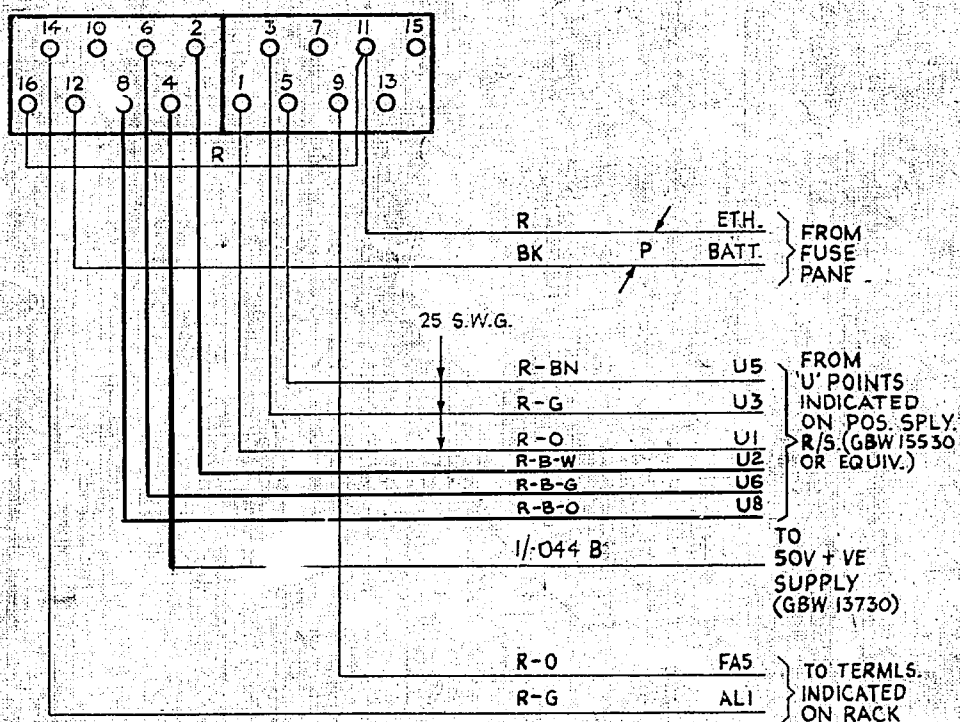


0
5 Centimetres
10
15
20
25
30

AS SEEN FROM REAR



NOTES

1. SHELF JACK 'U' POINTS U9 & U11 AND U14 & U16 TO MAKE CONTACT WHEN RELAY SET IS REMOVED.
2. ALL WIRING TO BE 22 S.W.G. UNLESS OTHERWISE SPECIFIED.

				50 VOLT POSITIVE SUPPLY (TRANSISTOR) FAIL ALARM RELAY SET 1 VF SYSTEM	
WIRING TO 'U' POINTS 2, 6 & 8 ADDED		(47223)	2	29.1.65	WJL
		(34350)	1	3.10.66	WJL
AMENDMENT PARTICULARS			ISSUE DATE	APP	50V S
N.Z.P.O.		DRAWN	CHECKED	WIRING	CIRCUIT
		7.9.0.	7.9.0.	W.J.A.	ASH

GBU 15670