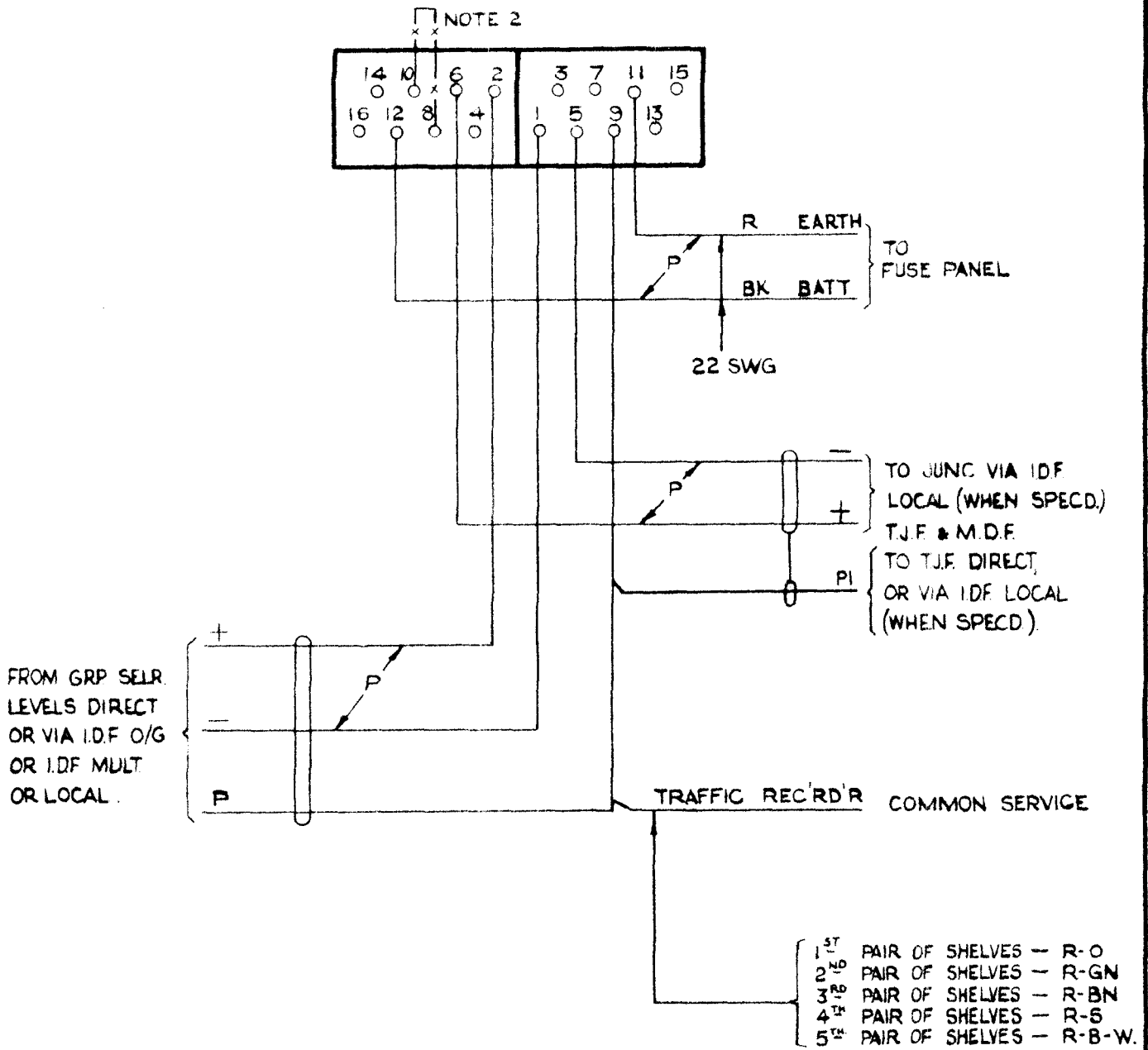


AS VIEWED FROM REAR



NOTES

1. ALL WIRING TO BE 25 SWG UNLESS OTHERWISE SPECIFIED.
2. WHEN JUNCTION RESISTANCE EXCEEDS 200 OHMS INSERT STRAP THUS -X-X- BETWEEN SHELF JACKS U8 & U10.
3. SHELF JACK U PTS 9 & 11 TO MAKE CONTACT WHEN RELAY SET IS REMOVED.

				SELECTOR LEVEL R/S REMOTE MANUAL BOARD EMERGENCY SERVICE FOR U.A.X. NZ. 13.	
V.C. & O/G TERMINATIONS MODIFIED. NOTES 3 ADDED (34101)		2	19 9 60	OK	
(84071)		1	29 8 64	OK	
AMENDMENT PARTICULARS	ISSUE	DATE	APP'D	50 V	W
				GBU 15630	
NZPO	DRAWN S.P.	CHECK'D	WIRING	CIRCUIT	