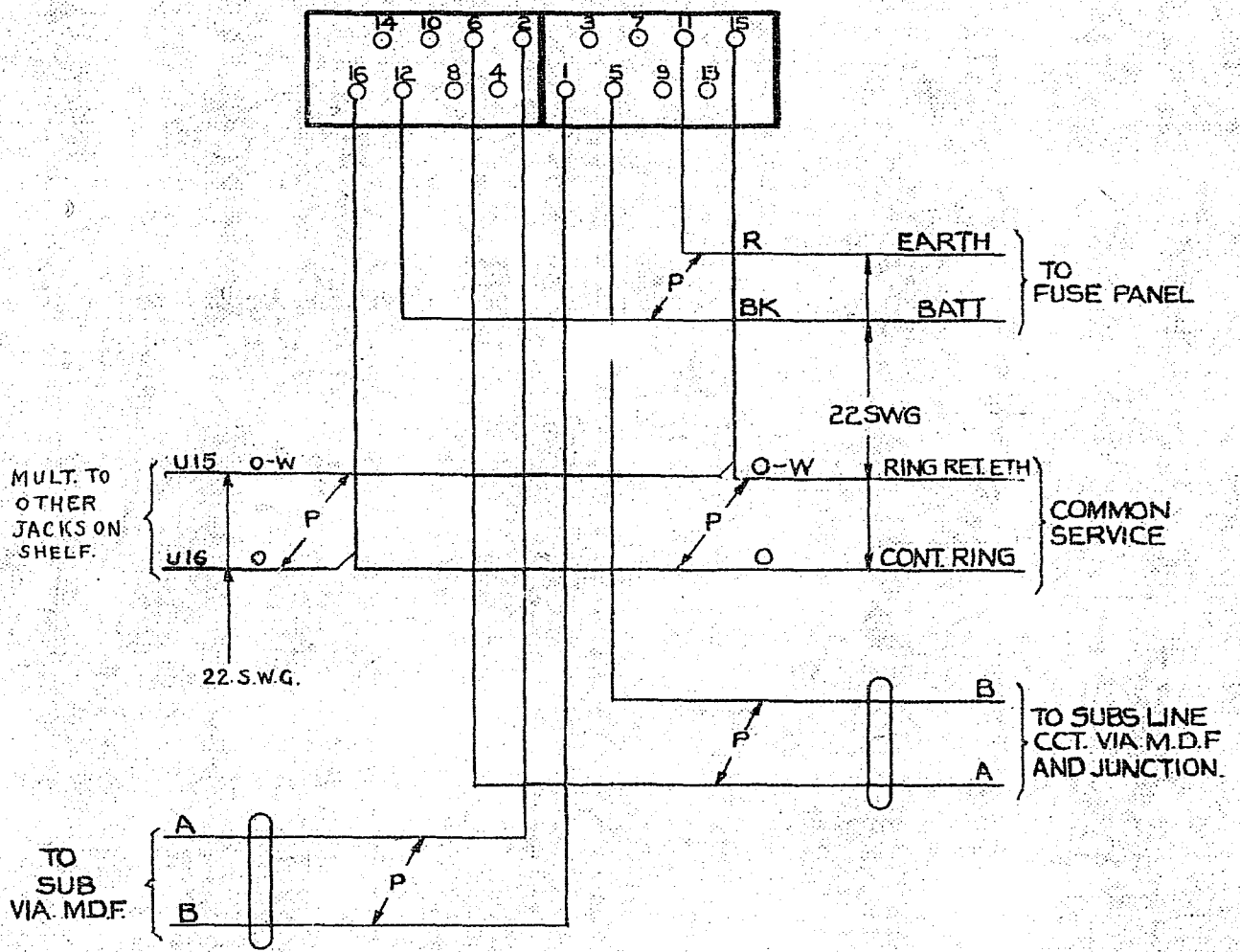


AS SEEN FROM REAR



NOTES

1. ALL WIRING TO BE 25 SWG UNLESS OTHERWISE SPECIFIED

				SUBSCRIBERS LONG LINE REPEATER (FOR "FOREIGN" EXCHANGE SERVICE)			
(32498)				1	14-7-59	AK	
AMENDMENT PARTICULARS				ISSUE	DATE	APPRO	
						50V W	
N.Z.P.O.				DRAWN		GBU 15620	
				CHECKED			
				WIRING			
				CIRCUIT			

