

FIG.2.
AS SEEN FROM REAR

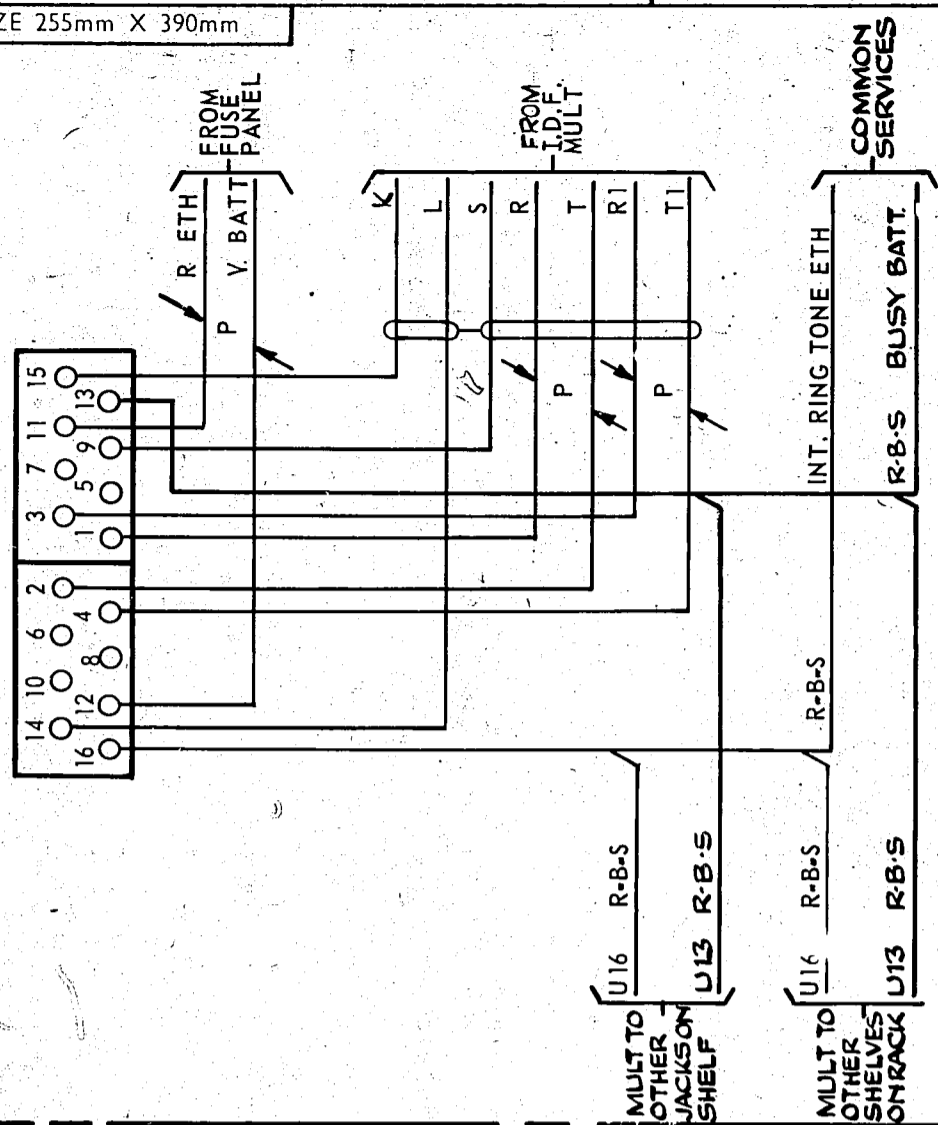
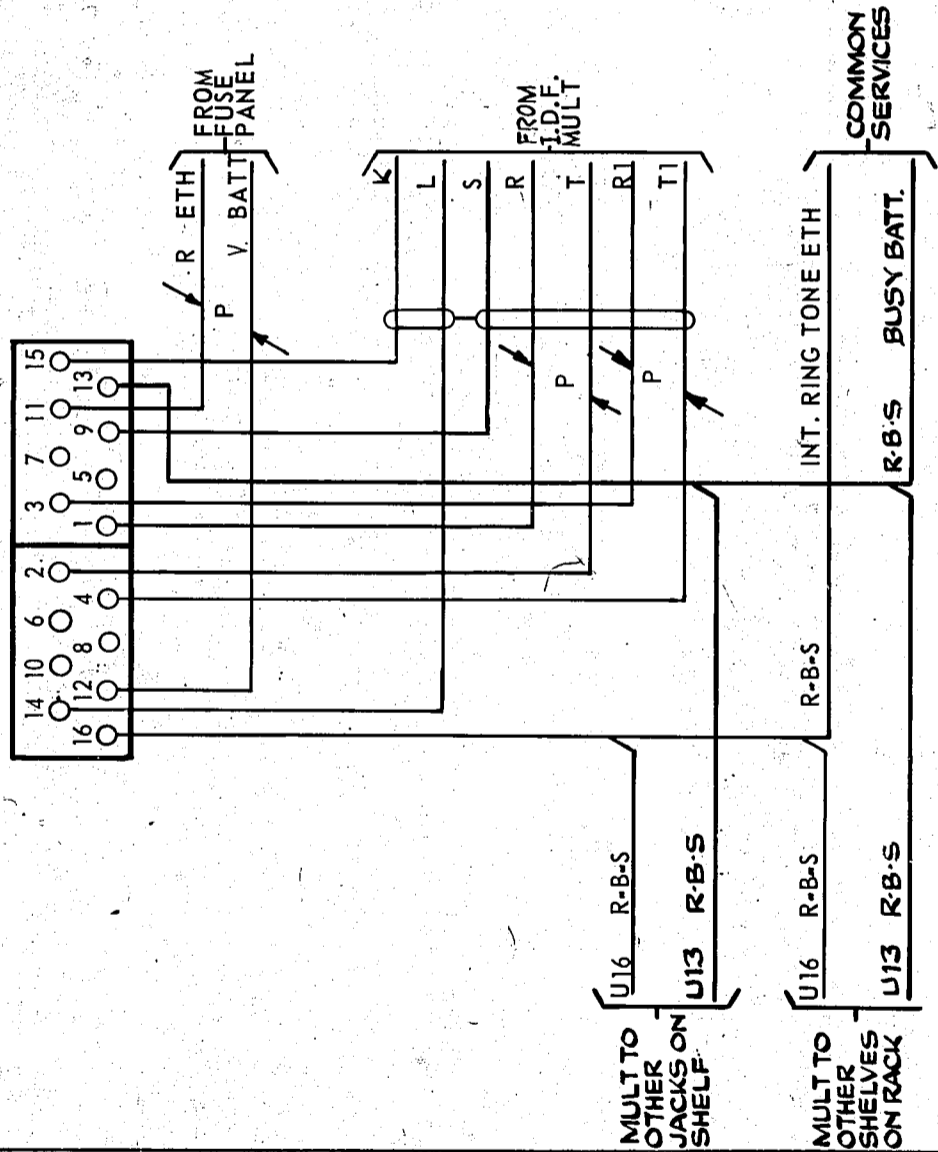


FIG.1.
AS SEEN FROM REAR



NOTES:-

1. ALL WIRING TO BE 22 S.W.G. UNLESS OTHERWISE SPECIFIED
2. SHELF JACK U POINTS 13 & 15 TO MAKE CONTACT WHEN RELAY SET IS REMOVED.

DO NOT SCALE

A3 A4		DRN. RHH/BN TR	APPROVED	ENG	MATERIAL	FINISH	REF:-	50v	H
N.Z.P.O.		CHK 9/8.7.68	APPROVED	ENG	TITLE		TOLERANCES (UNLESS OTHERWISE STATED)		
		ENG	DLPT.		BOTHWAY MANUAL BOARD ACCESS TO AUXILIARY TOLL S.G.S 2000 TYPE		THREE PLACE DECIMAL DIMNS +		
							TWO PLACE DECIMAL DIMNS. +		
							FRACTIONAL DIMENSIONS		
							OTHER REQUIREMENTS TO E.S.I.5		
							GBU 15520		SIZE S

