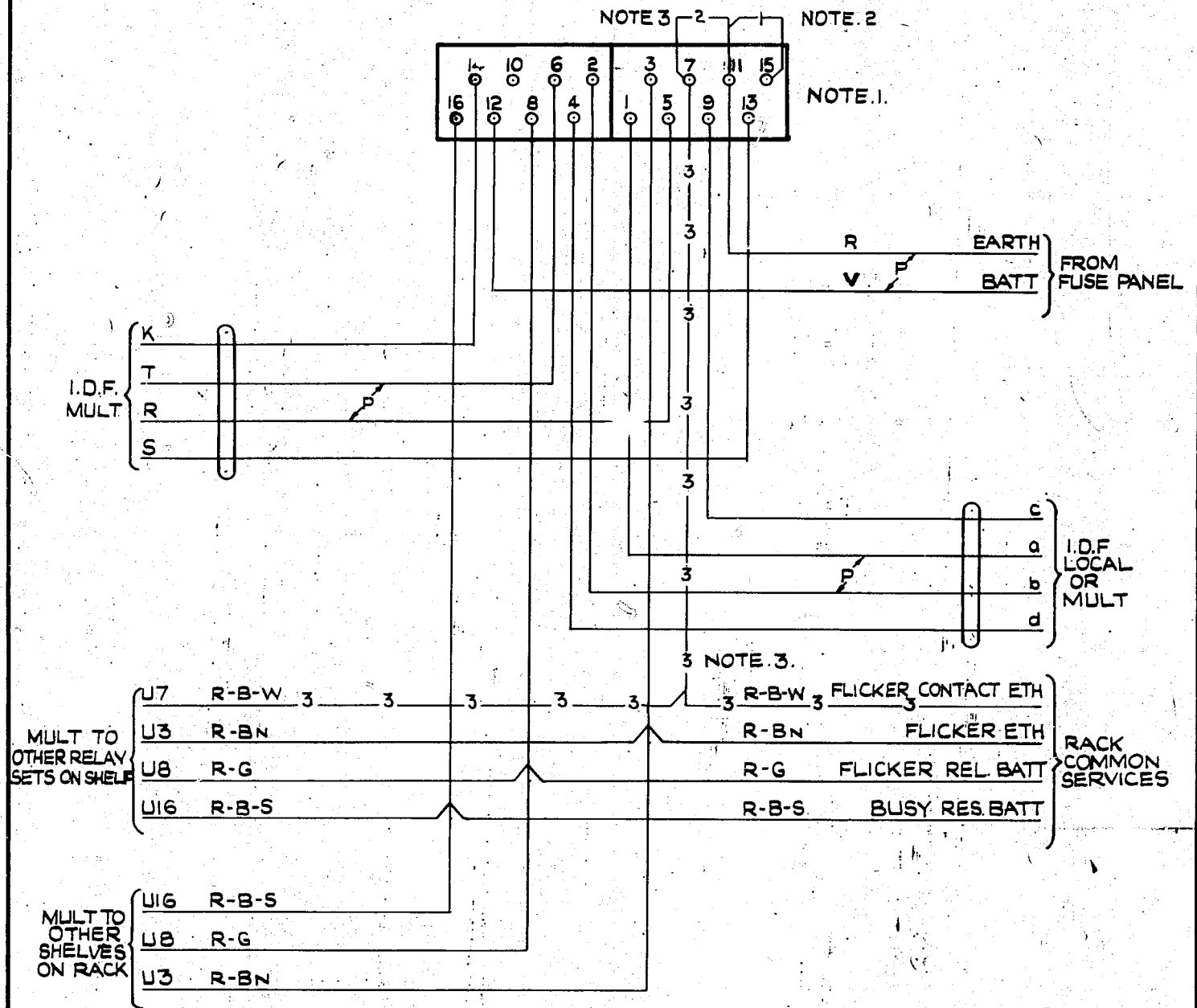

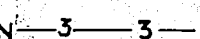





AS SEEN FROM REAR



NOTES.

1. JACK POINTS U9 & U11, U14 & U16 MAKE CONTACT WHEN RELAY SET IS REMOVED
2. U15 TO BE STRAPPED TO U11 FOR UNDER 3db UNREPEATERED TRUNKS AS SHOWN 
3. WHEN FLICKER SUPERVISORY IS NOT REQUIRED LEAD U7 SHOWN  TO BE DISCONNECTED AND INSULATED. U7 IS THEN CONNECTED TO U11 SHOWN 
4. ALL WIRING TO BE 22 S.W.G UNLESS OTHERWISE SPECIFIED.

				OUTGOING R/S LOOP DIALLING SLEEVE CONTROL SWITCHBOARD TO ROTARY EXCHANGE	
(7591)				1	11-4-69
AMENDMENT PARTICULARS			ISSUE	DATE	APP
				50V	W
N.Z.P.O.		DRAWN J.T.	CHECKED	WIRING	CIRCUIT
GBU 15460					