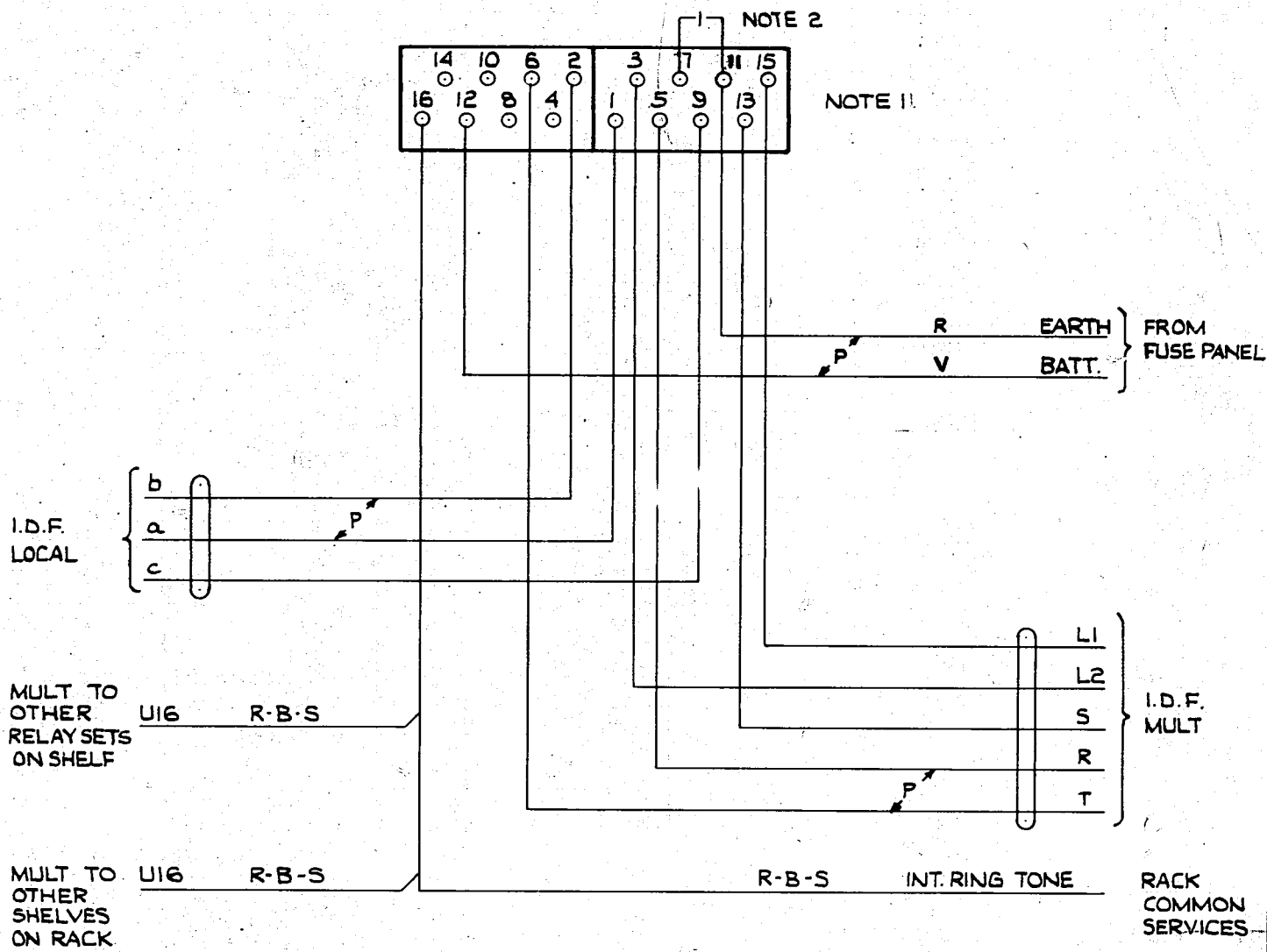


AS SEEN FROM REAR



NOTES

1. JACK POINTS U9 & U11 TO MAKE CONTACT WHEN RELAY SET IS REMOVED.
2. WHEN MANUAL HOLD IS NOT REQUIRED OMIT CONNECTION SHOWN-1-1-
3. ALL WIRING TO BE 22SWG UNLESS OTHERWISE SPECIFIED.

				SELECTOR LEVEL R/S SPECIAL SERVICES ROTARY TYPE EXCHANGE TO SLEEVE CONTROL SWITCHBOARD	
(7587)				11-4-69	<i>[Signature]</i>
AMENDMENT PARTICULARS			ISSUE DATE	APP'D	
			50V W		
NZ.P.O.		DRAWN P.K.	CHECKED	WIRING	CIRCUIT
GBU 15430					