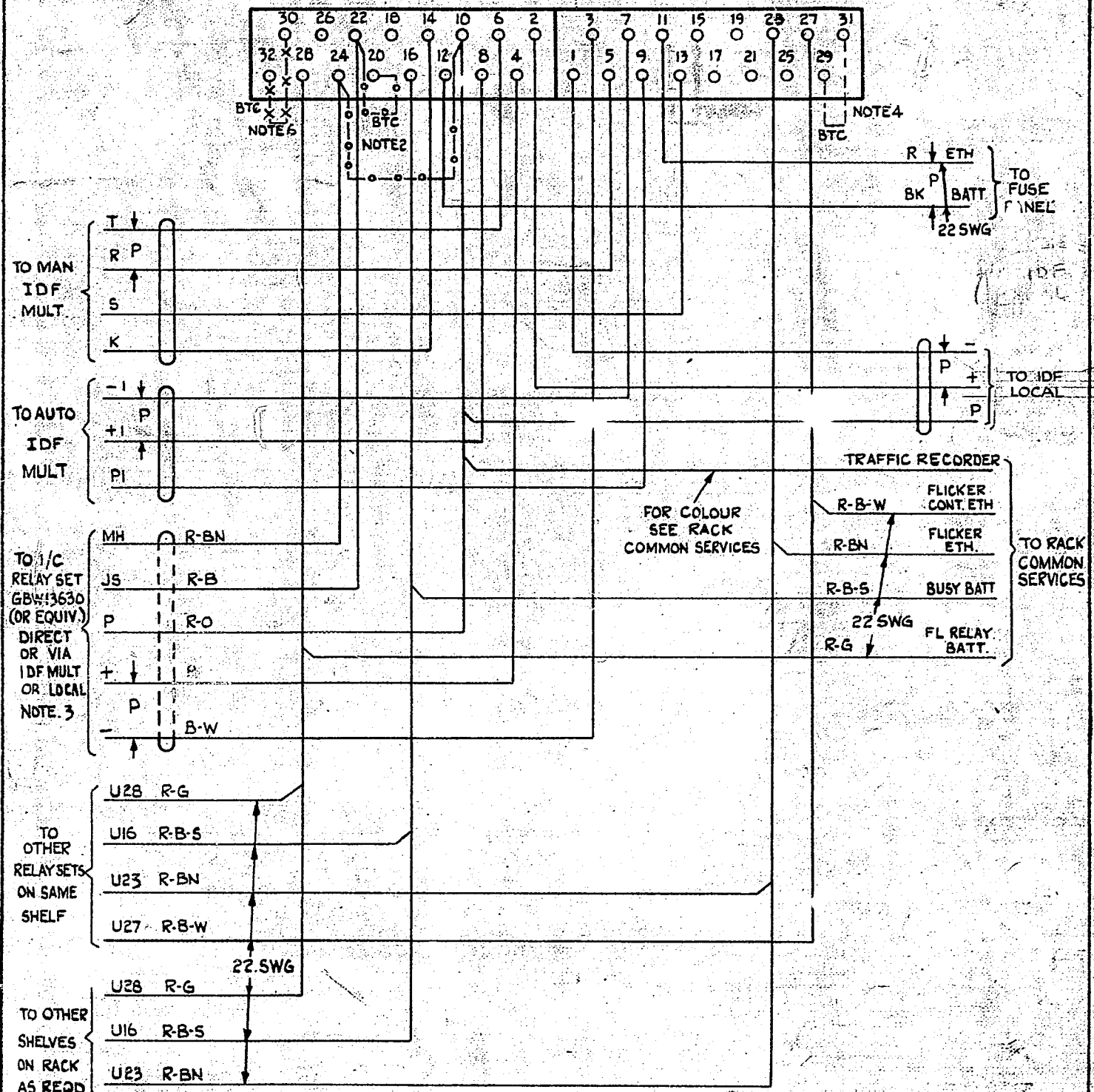


AS SEEN FROM REAR



- NOTES
1. SHELF JACK POINTS U9 & U11 ALSO U14 & U16 TO MAKE CONTACT WHEN RELAY SET IS REMOVED.
 2. FOR UNI-DIRECTIONAL WORKING, STRAP U20 & U22 ALSO U10 & U24 SHOWN THUS -o-o-
 3. FOR BOTHWAY WORKING CONNECT P, -, +, MH AND JS TO THE INCOMING RELAY SET & OMIT STRAPS
 4. WHEN A MULTI-METERING RELAY SET IS USED IN CONJUNCTION WITH THIS CCT. REMOVE STRAP BETWEEN U29 & U31 SHOWN THUS
 5. FOR NZ SIGNALLING SYSTEM AC NO 3 JUNCTIONS, THE P, -, +, MH & JS LEADS ARE NOT CONNECTED; ALL STRAPS ARE OMITTED.
 6. CUT STRAP BETWEEN U30 & U32 SHOWN
 7. ALL WIRING TO BE 25 SWG UNLESS OTHERWISE SPECIFIED.

				W.E. SLEEVE CONTROL SYSTEM O/G JUNCTION RELAY SET WITH BOTHWAY SWITCHING TO U.A.X. N.Z. N°13 PARENT 2000 TYPE	
NOTE 5 DELETED. NEW NOTE 5 ADDED. NOTE 3 G. IDF LOCAL LEADS AMENDED	(74754)	2	7.8.63	DBR	
	(77710)	1	1.8.58	AK	
AMENDMENT PARTICULARS	ISSUE	DATE	APPD		50V S
NZ PO	DRAWN	CHECKED	WIRING	CIRCUIT	GBU 15360
	G.A.			290	

0
5 Centimetres
10
15
20
25
30