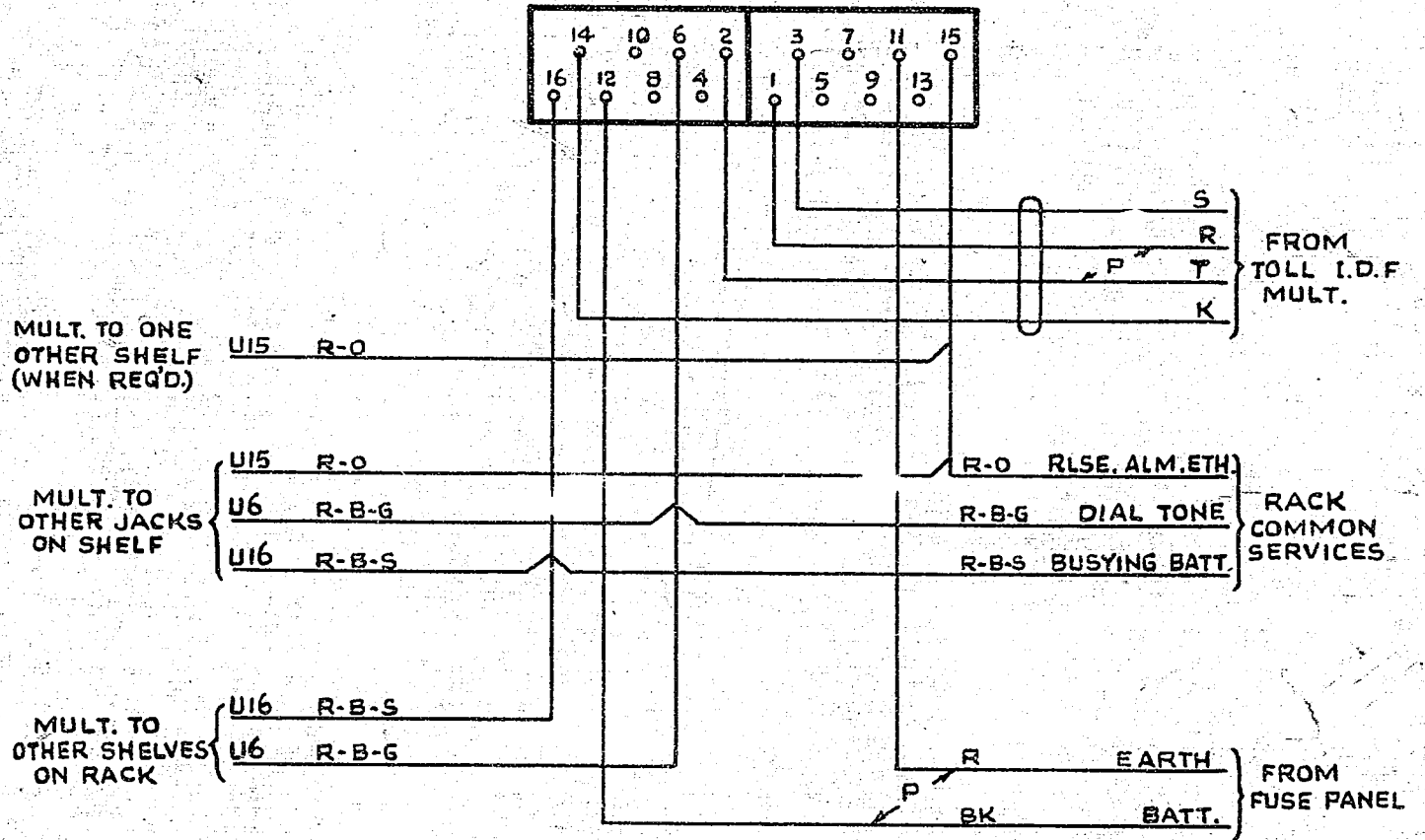


AS SEEN FROM REAR



NOTES

1. ALL WIRING TO BE 22 S.W.G. UNLESS OTHERWISE SPECIFIED.
2. JACK POINTS 9 & 11 AND 14 & 16 MAKE CONTACT WHEN SELECTOR IS REMOVED.

ORDER WIRE SELECTOR
100 OUTLET
2000 TYPE

(77707)	1	1.8.58	<i>BR</i>		
AMENDMENT PARTICULARS	ISSUE	DATE	APP'D	50V	E

NZ.P.O.	5	Centimetres	10	DRAWN	CHECKED	WIRING	CIRCUIT
			15	GBU 15260			
			20				