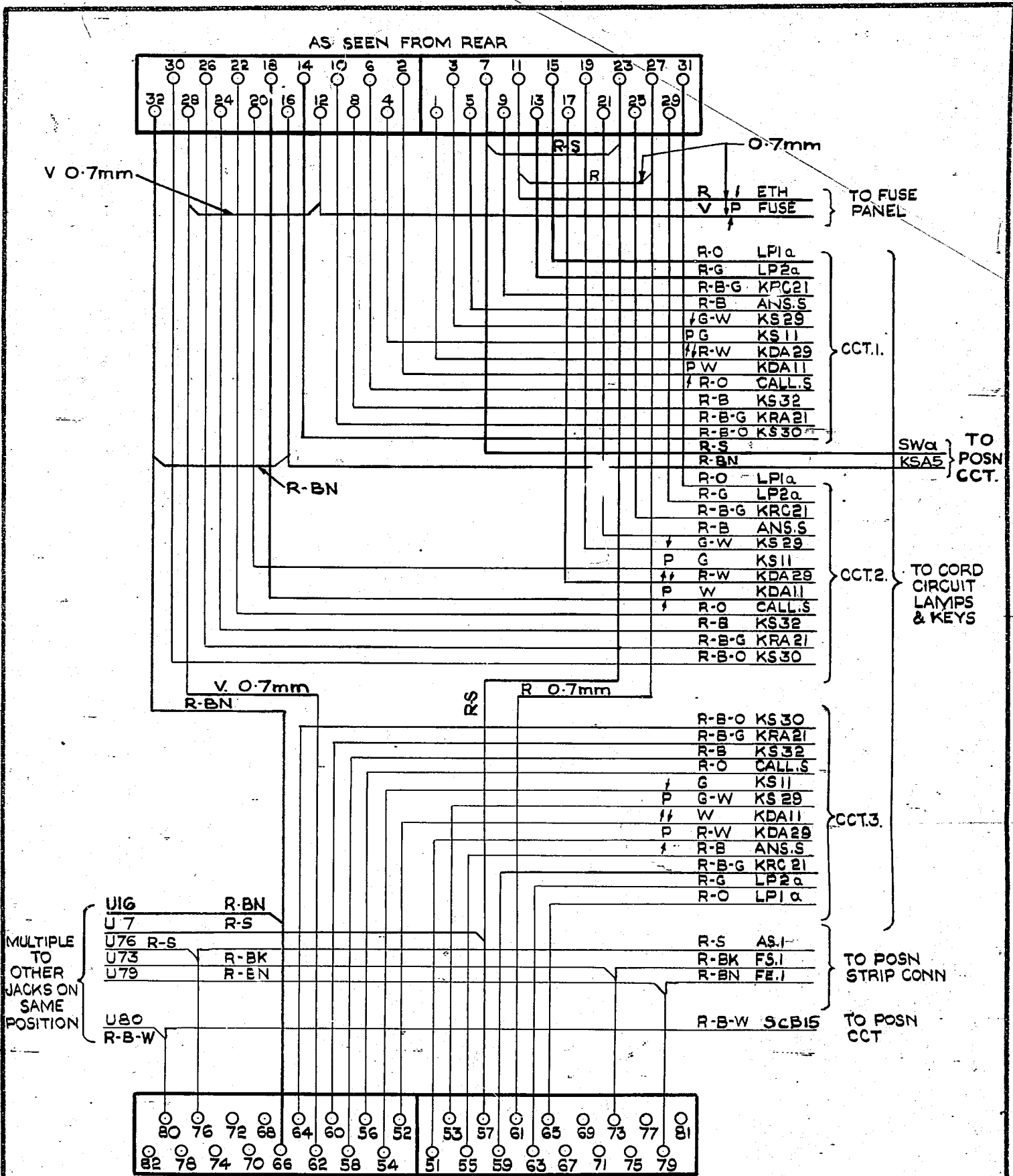


0  
5 Centimetres  
10  
15  
20  
25  
30



NOTES

1. ALL WIRING TO BE 0.5mm UNLESS OTHERWISE SHOWN.
2. 3 CIRCUITS PER BASE.
3. ON SOME EARLY EQUIPMENT BATT. WIRING COLOUR IS BK.

<b>CORD CIRCUIT</b>			
<b>50/1200 LINE PA B X</b>			
KSA5 LEAD, NOTE 3 ADD. WIRE GAUGE WAS SWG (122571)	3	14.274	GFE
U7 COMMON ADDED	2		
AMENDMENT PARTICULARS	ISSUE	DATE	APPD
N.Z.P.O.	DRAWN	CHECKED	WIRING CIRCUIT
	J.T.	<i>[Signature]</i>	
<b>GBU 15211</b>			SIZE <b>F</b> 50V W