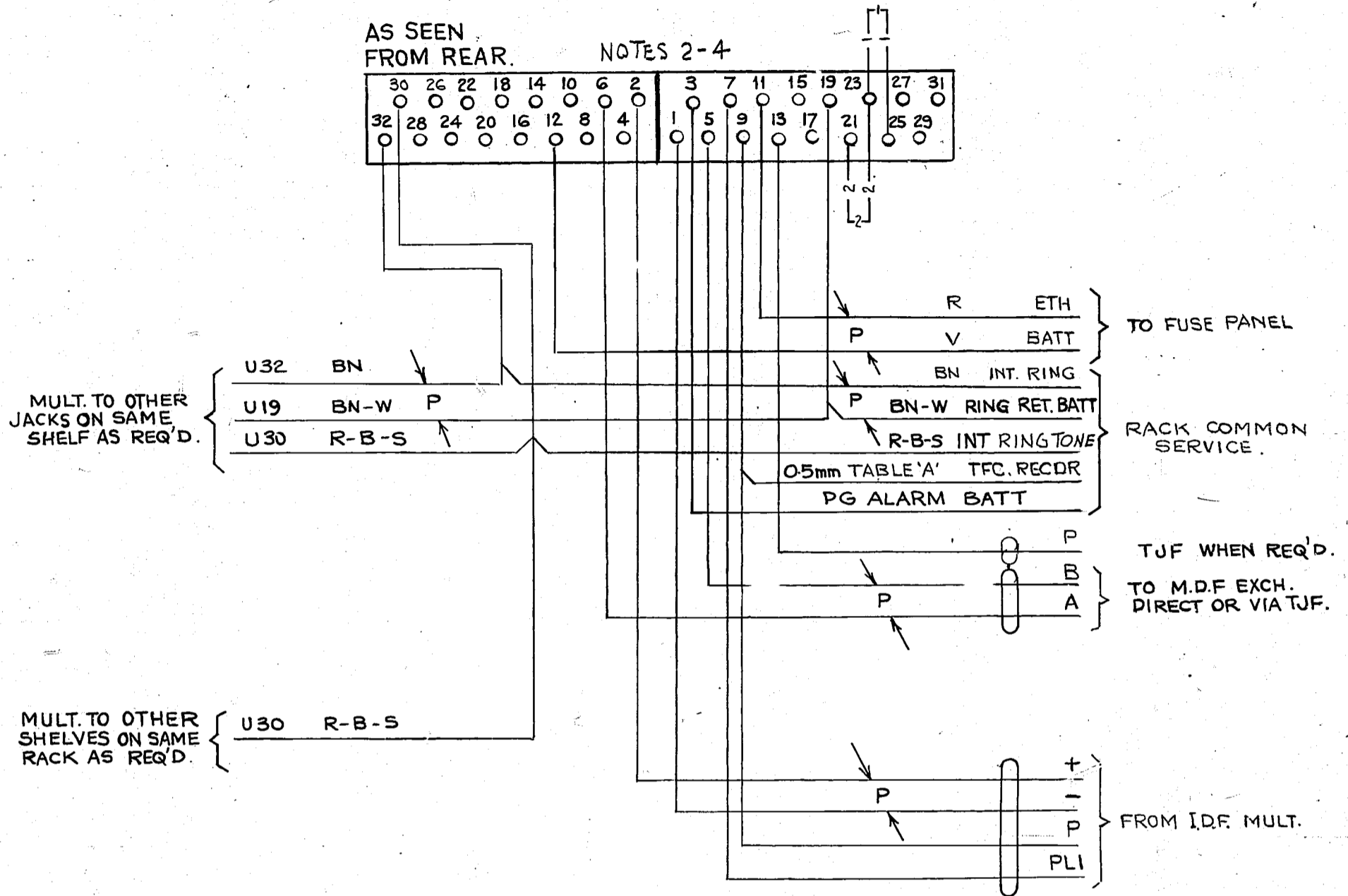


FIG. 1.



NOTES.

- 1 ALL WIRING TO BE 0.7MM UNLESS OTHERWISE SPECIFIED.
- 2 WHEN RING SIGNAL REQ'D STRAP U19 & U10 AND U28 & U32 WHEN BATT & ETH SIGNAL REQ'D STRAP U12 & U10 AND U28 & U11.
3. WHEN CCT. TERMINATES JUNCTION OR IF LOCAL MANUAL HOLD REQ'D. STRAP U23 & U25 SHOWN -1-1- AND REMOVE STRAP -2-2- FOR ALL OTHER CASES STRAP U21 & U23 AND REMOVE STRAP -1-1-
- 4 U9 & U11 TO MAKE WHEN R/S IS REMOVED.

| PAIR OF SHELVES | CODE |
|---------------------|-------|
| 1ST PAIR OF SHELVES | R-O |
| 2ND " " " | R-G |
| 3RD " " " | R-BN |
| 4TH " " " | R-S |
| 5TH " " " | R-B-W |
| 6TH " " " | R-BK |

| | | | | |
|---|-------|-------|---|-------|
| AMENDED TO NZM VZ (038447) 1A 28-9-83 GCG | | | REFERENCES | 50V W |
| (2290) 1 5-2-73 AB.S.H. | | | N.Z.P.O. DRWG. 34028 | |
| AMENDMENT PARTICULARS | | | ISSUE DATE | APP'D |
| A3 | DRAWN | ENGR. | 1/C JUNC OR SEL. LEVEL R/S TO SPECIAL SERVICE LINES WITH OR WITHOUT MANUAL HOLD AND NEG. IMPED. RPTR. SWITCHING | |
| | J.D. | | | |
| DM 3 | NZFO | | GBU 15150.1 OF 1 | |

HWR/LK/16.5.712 19.12.72

