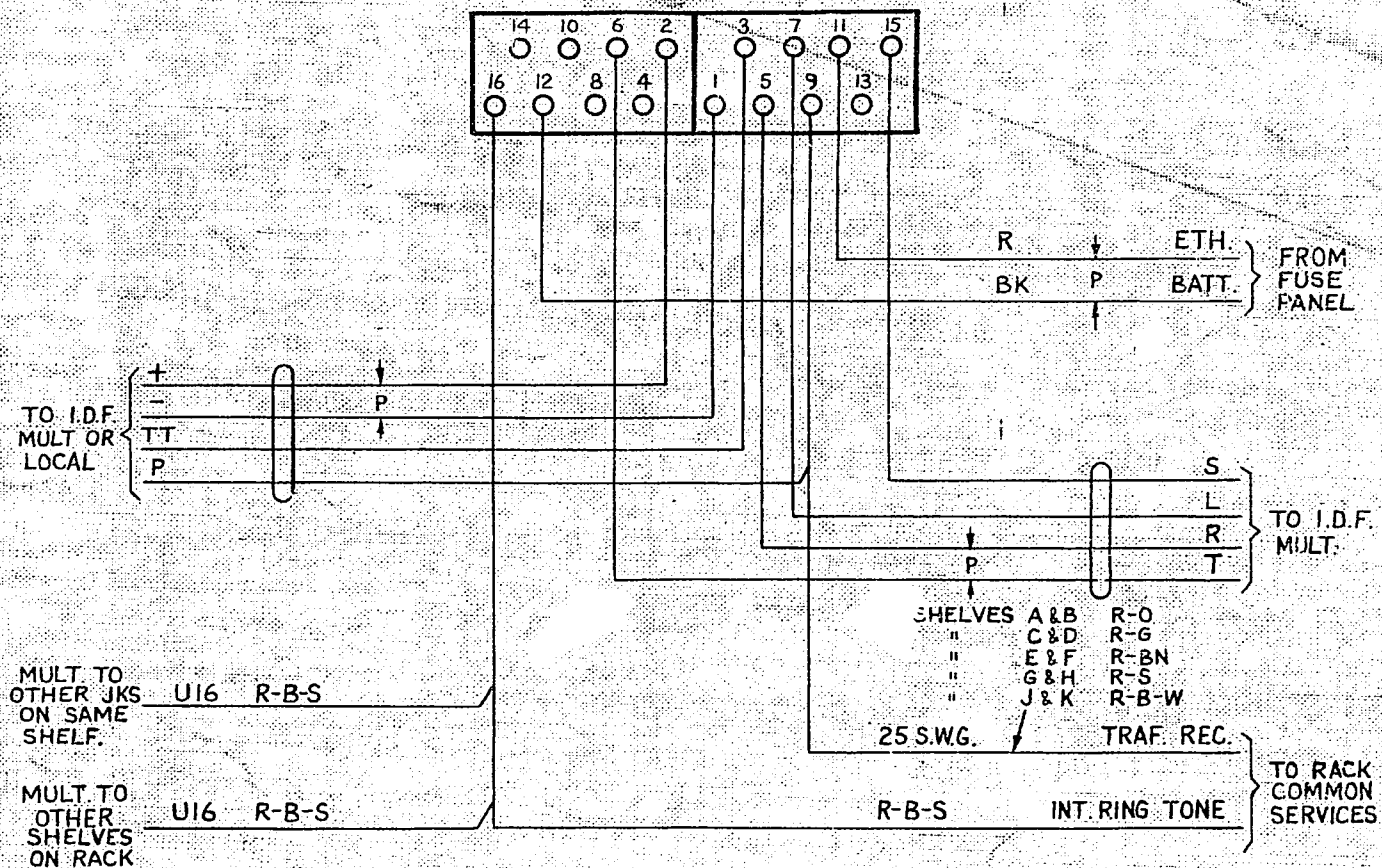


AS SEEN FROM REAR NOTE 3.



NOTES

1. JACK POINTS U9 & U11 TO MAKE CONTACT WHEN RELAY SET IS REMOVED.
2. ALL WIRING TO BE 27 S.W.G. UNLESS OTHERWISE SPECIFIED.
3. ON INVERCARGILL CENTRAL EXCHANGE A 32 WAY SHELF JACK IS FITTED.

0' LEVEL RELAY SET
 FROM I/C I.V.F. CCT. VIA TANDEM GP. SELR.
 (SLEEVE CONTROL MANUAL BOARD)
 2000 TYPE

		(56510)		1	29.3.62				
AMENDMENT PARTICULARS				ISSUE	DATE	APP	REF		50V/S
NZPO		DRAWN	CHECKED	WIRING	CIRCUIT	GBU 15010		GBU 15011	

0
5 Centimetres
10
15
20
25
30