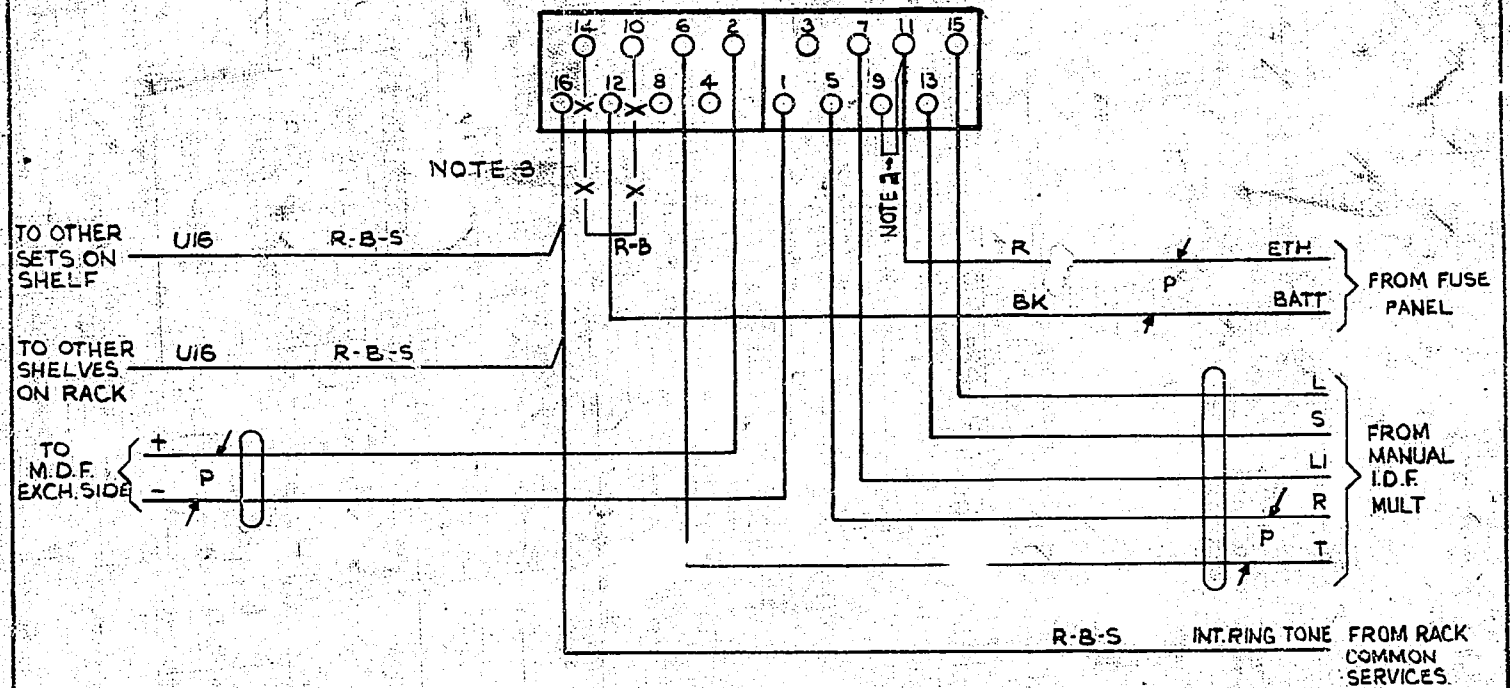


AS SEEN FROM REAR



NOTE 3

NOTE 2

3 FOR RELAY SETS TO GBW 15001
 ADD STRAP BETWEEN SHELF JACK
 U-POINTS 10 & 14 WHEN CIRCUIT
 TERMINATES A JUNCTION FROM A
 DSR SATELLITE EXCHANGE OMIT
 THIS STRAP WHEN CIRCUIT TERMINATES
 A JUNCTION FROM A MAIN EXCHANGE

2 STRAP U9 & U11 WITH BTC WHEN
 CIRCUIT IS ASSOCIATED WITH AN
 UNDER 3DB UNREPEATERED LINE

NOTES 1 ALL WIRING TO BE 22 SWG UNLESS
 OTHERWISE SPECIFIED.

				LEVEL 0 JUNCTION RELAY SET COMBINED REGULAR AND CCB LINES SLEEVE CONTROL SYSTEM			
TITLE AMENDED: GBW 15001 & NOTE 3 ADDED (35334)						2	14-11-60
(69219)						1	15-7-57
AMENDMENT PARTICULARS			ISSUE DATE	APPD	REF:		
					SOV S		
			GBW 15000				
			GBW 15001				