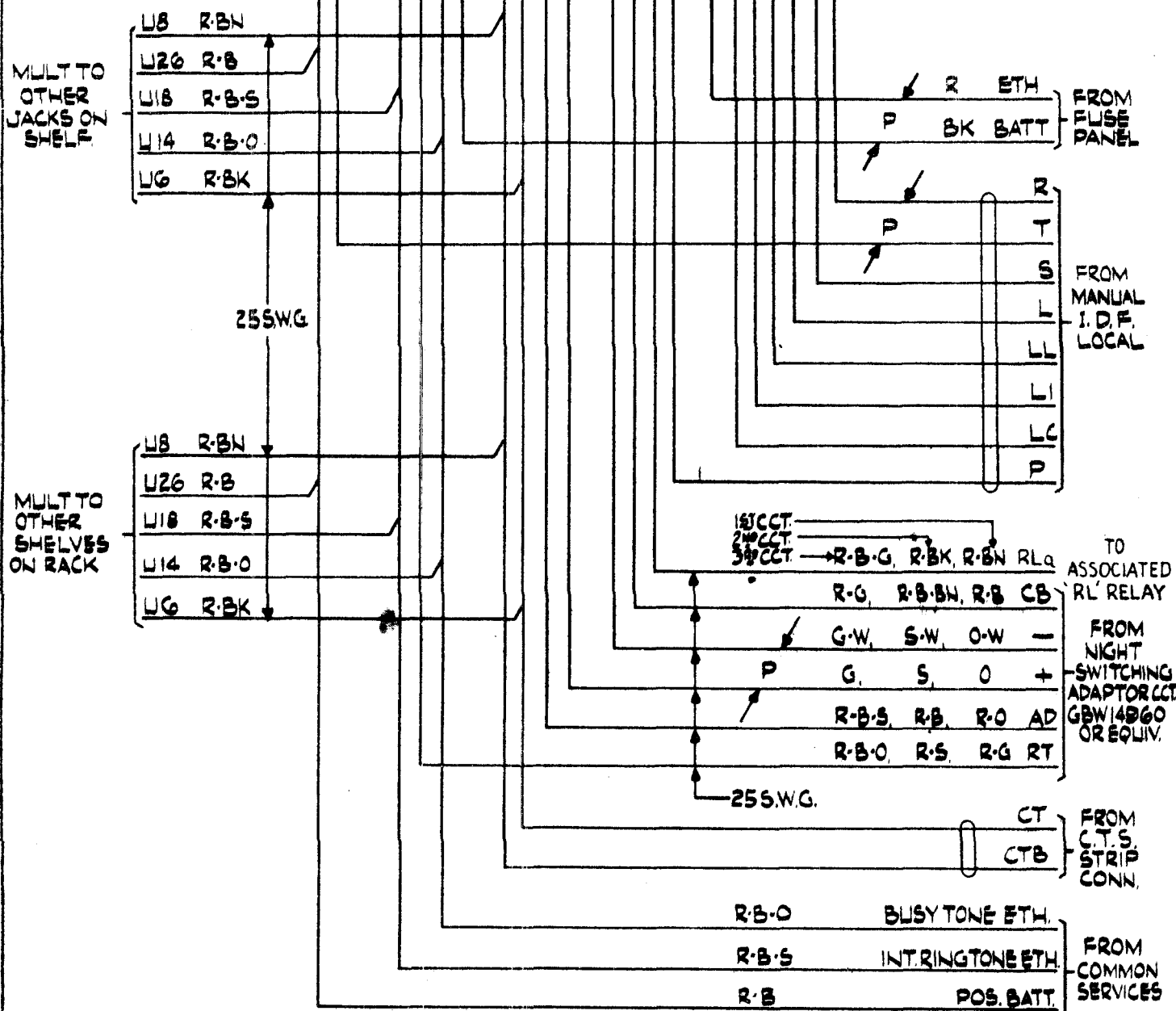
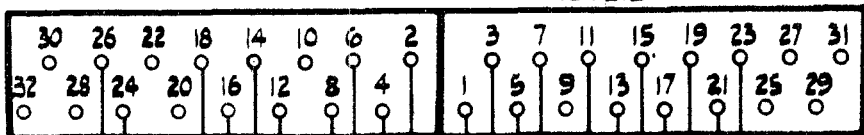


AS SEEN FROM REAR

NOTE 2



NOTES:-

1. ALL WIRING TO 225.W.G. UNLESS OTHERWISE SPECIFIED.
2. SHELF JACK POINTS U9&U11, U13 & 15, U17 & 19 MAKE CONTACT WHEN RELAY SET IS REMOVED.

NOT TO BE USED FOR NEW WORK.

					U.A.X. NO. N.Z.13 NIGHT SWITCHING TO 2 V.F. ADAPTOR RELAY SET	
SHELF JACK 'U' POINT 5 WIRING REVISED (72940)		4	28-6-67	AB		
NOTE 2 REVISED (69208)		3	4-10-63	DBH		
NOT TO BE USED FOR NEW WORK NOTE ADDED (C9012)		2	6-9-63	DBH		
AMENDMENT PARTICULARS		ISSUE	DATE	APPD	REF :-	50% H
					GBU 14950	
N.Z.P.O.	DRAWN KS	CHECKED KS	WIRING F.T.	CIRCUIT		