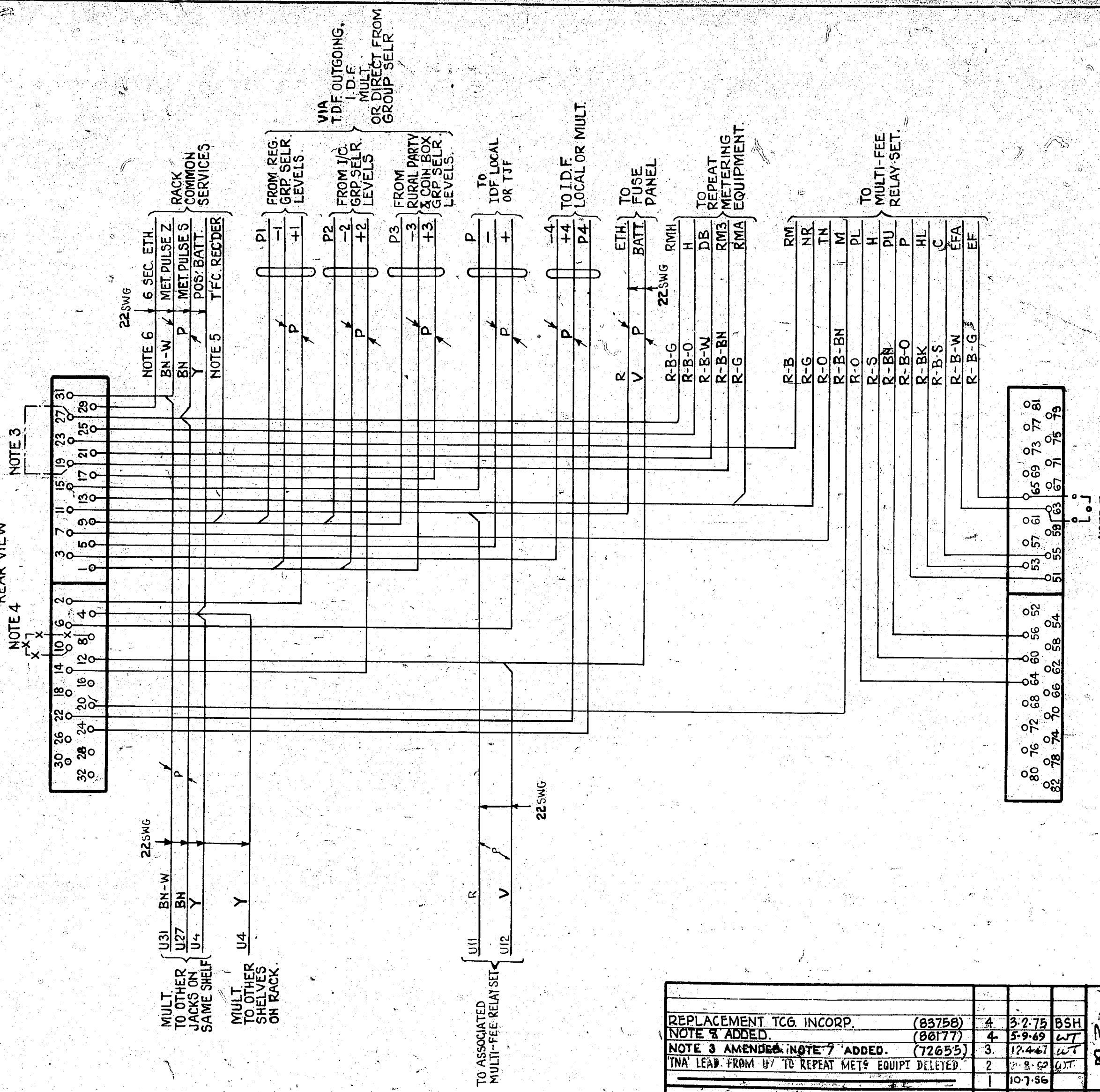


0 5 Centimetres 10 15 20 25 30

REAR VIEW



- NOTES
- 1 SHELF JACK U POINTS 9&11 TO MAKE CONTACT WHEN RELAY SET IS REMOVED.
  - 2 ALL WIRE TO BE 25 SWG UNLESS OTHERWISE SPECIFIED.
  - 3 STRAP U19-U27 IS ONLY REQUIRED WHEN METERING IS REQUIRED.
  - 4 STRAP U8-U10 IS NOT REQUIRED WHEN JUNCTION RESISTANCE IS LESS THAN 200Ω.
  - 5 COLOURS FOR TRAFFIC RECORDER LEADS TO BE AS FOLLOWS:-  
SHELVES A&B R-O C&D R-G J&K R-B-W  
E&F R-BN G&H R-S
  - 6 COLOURS FOR RELAY SETS 1-10 ON EACH SHELF TO BE:- R-O, R-G, R-BN, R-S, R-B-W, R-B-O, R-B-G, R-B-BN, R-B-S, R-BK, RESPECTIVELY.
  - 7 STRAP U63-65 TO BE INSERTED WHEN MULTI-FEE RELAY SET IS NOT USED.
  - 8 PRIOR TO ISSUE 4 COLOUR OF BATT. WIRING WAS BK. AND POSITIVE BATT. WAS R-B.

REPLACEMENT TCG. INCORP.	(83758)	4	3-2-75	BSH
NOTE 8 ADDED.	(80177)	4	5-9-69	WT
NOTE 3 AMENDED. NOTE 7 ADDED.	(72655)	3	12-4-67	WT
'TNA' LEAD FROM U7 TO REPEAT METS EQUIP DELETED		2	8-8-65	WT
		1	10-7-56	
AMENDMENT PARTICULARS		ISSUE DATE	APPR	
NZPO				

AUTO-AUTO B/W JUNG R/S  
MULTI-FEE & REPEAT METERING  
& RURAL PARTY DISCRIMINATION  
2000 TYPE.

SIZE: S 50V C

GBU 14780