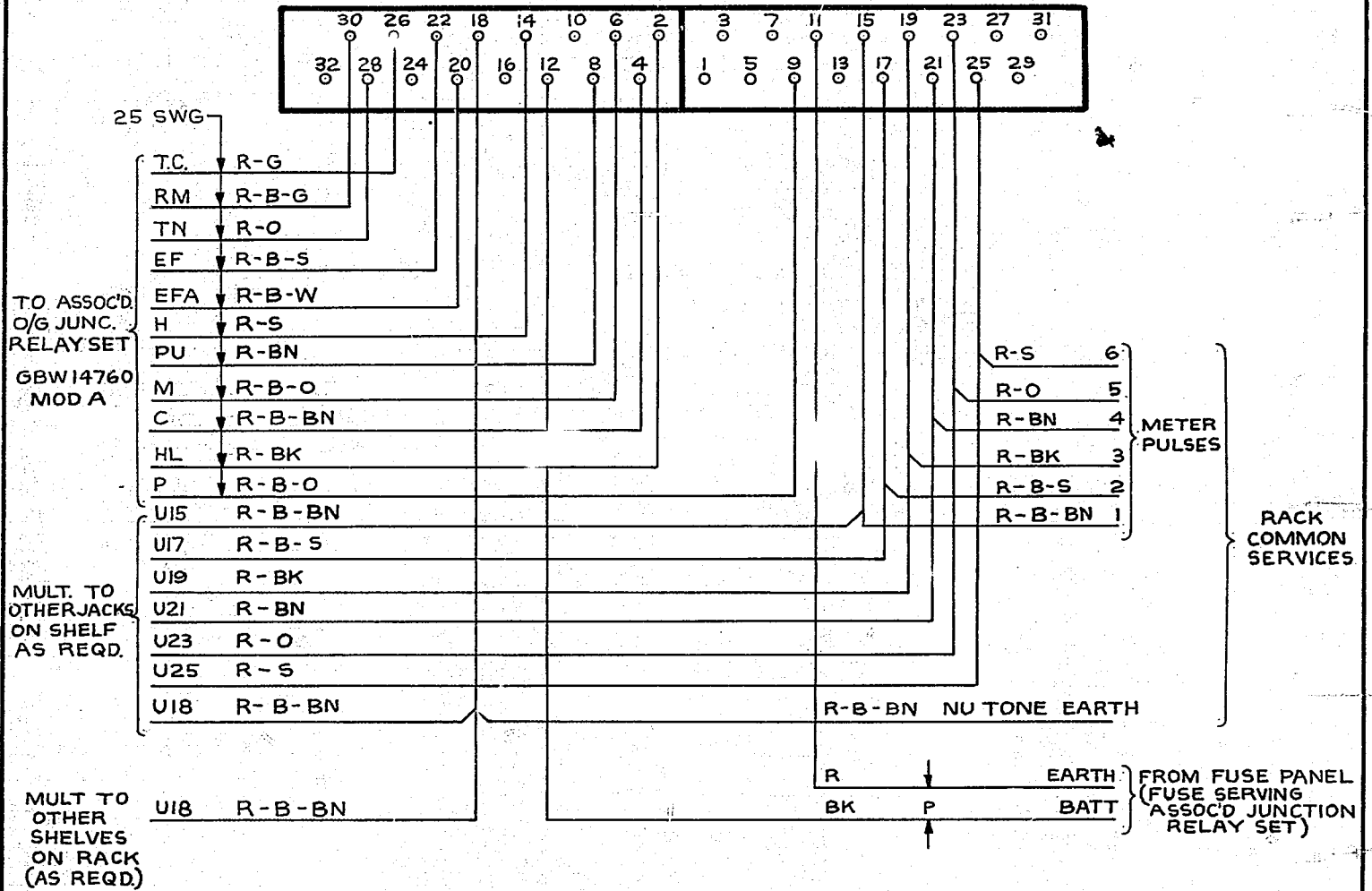


AS SEEN FROM REAR



NOTES:

1. ALL WIRING TO BE 22 SWG UNLESS OTHERWISE SPECIFIED.
2. JACK POINTS U9 & U11 TO MAKE CONTACT WHEN RELAY SET IS REMOVED.

				MULTI-FREE RELAY SET FOR USE ON AUTO-AUTO JUNC. ROUTES	
		(48479)	A	22-11-61	K.G.H.
		FUSING ARRANGEMENT CLARIFIED (14841)	2	12-11-58	A.K.
		(66407)	1	8-3-56	C.W.H.
AMENDMENT PARTICULARS		ISSUE	DATE	APPD	SIZE F 50V E
N.Z.P.O.		DRAWN	CHECKED	WIRING	CIRCUIT
					GBU 14770 MOD A

Centimetres

