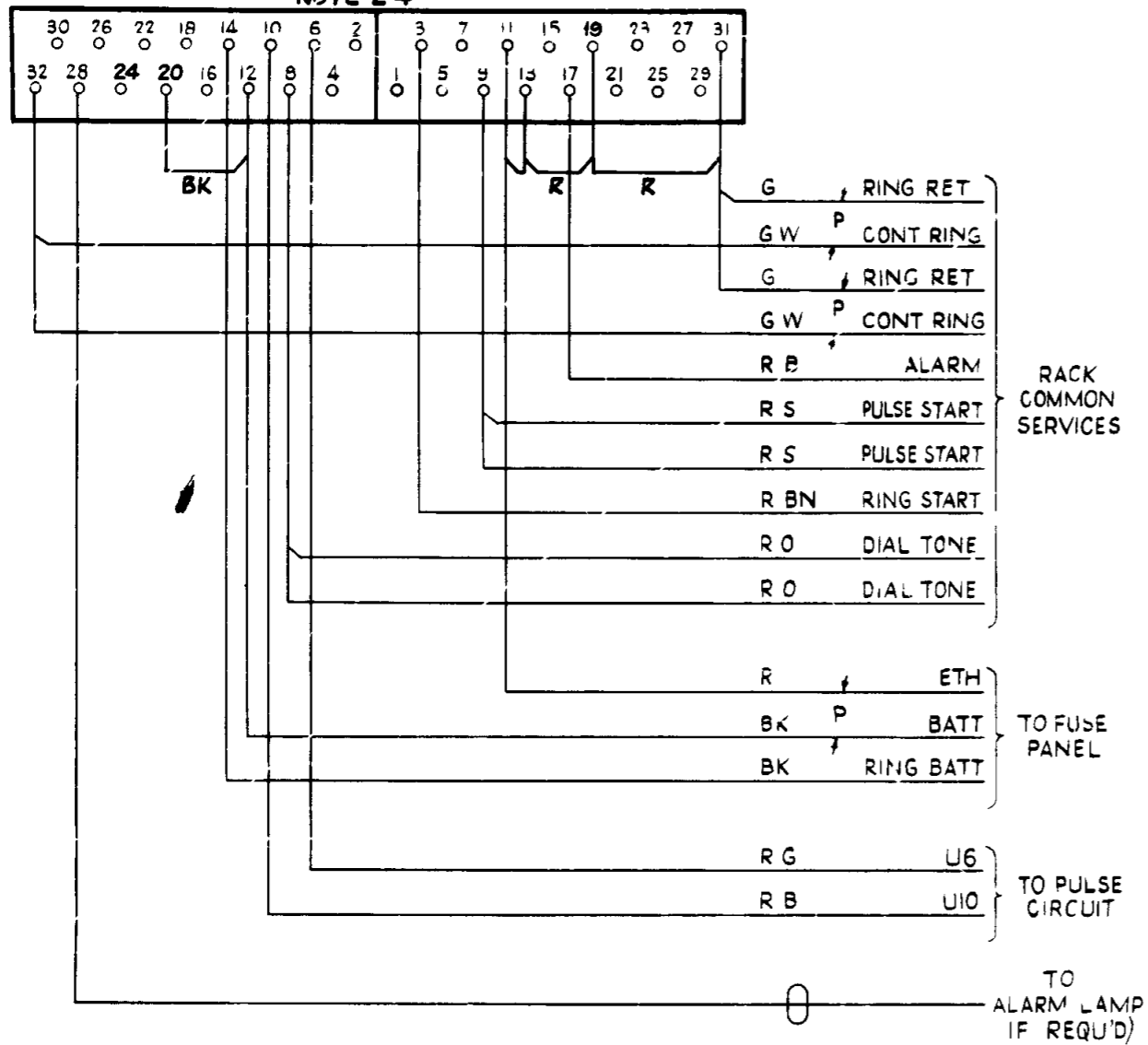


AS SEEN FROM REAR

NOTE 2 4



NOTE

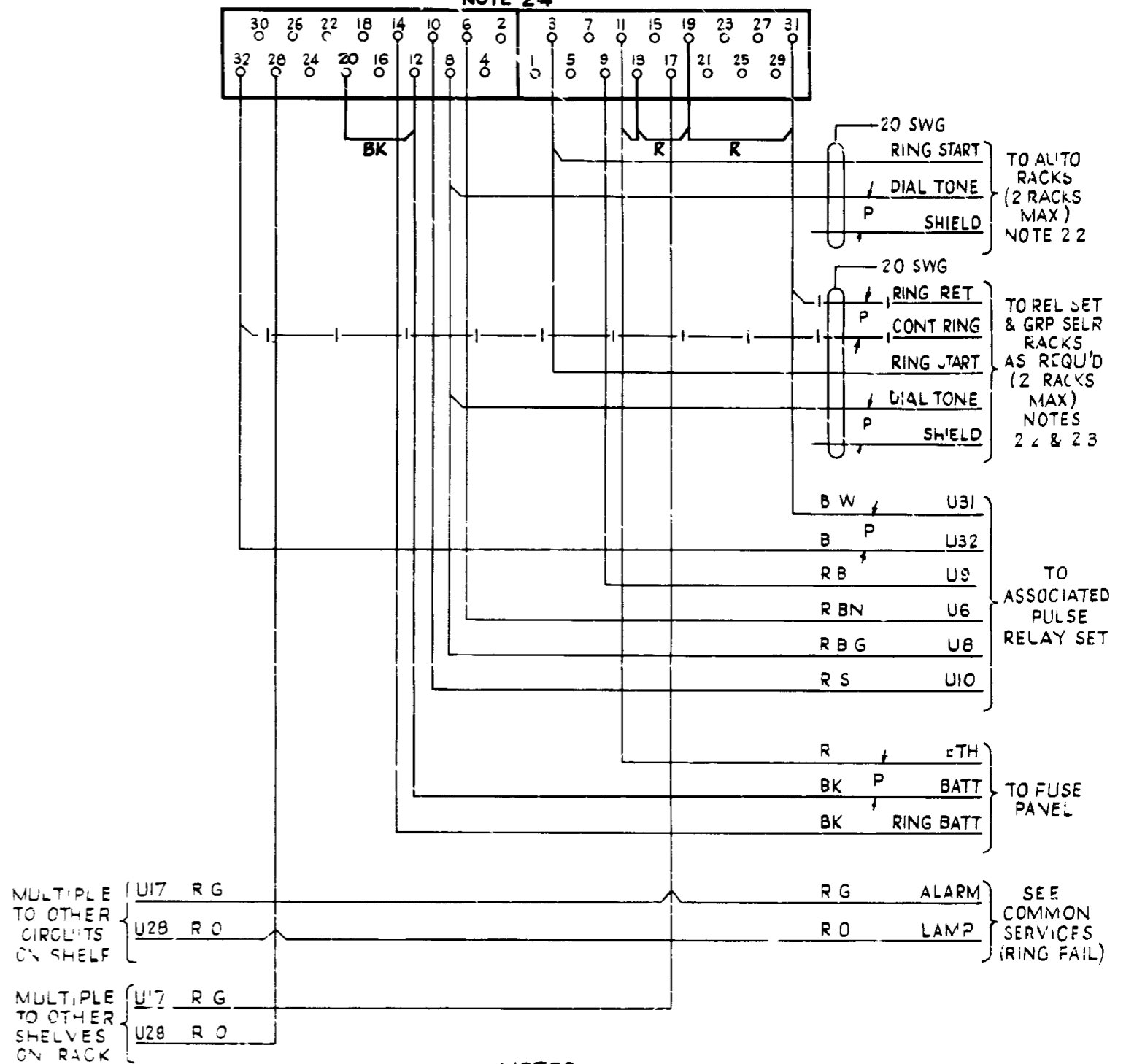
11 ALL WIRING IN THIS FIGURE TO BE 23 SWG

FIG 1A

20, 35 OR 49 LINE P A B X

AS SEEN FROM REAR

NOTE 2 4



NOTES

- 21 ALL WIRING IN THIS FIGURE TO BE 20 SWG
- 22 IT IS IMPORTANT THAT EACH RELAY SET SHALL SERVE THE SAME RACK OR RACKS AS THE ASSOCIATED PULSE RELAY SET
- 23 CONNECTIONS SHOWN — | — WILL NOT NORMALLY BE REQUIRED
- 24 STRAPS U12-20 AND U11-13-19-31 ENABLE RELAY SET TO GBW 16761 TO BE USED IN THIS SHELF JACK

FIG 1B

50/1200 LINE P A B X

				P A B X	
				RINGING AND TONES	
				CIRCUIT	
NOTE 2 4 & STRAPS ADDED	(8249)	2	17 12 71	GFE	
NZ NOTE A ADDED	(8424)	1A	21 4 71	GFE	
	(57005) (72314)		16 8 56	G	
APPENDANT PARTICULARS			ISSUE	DATE	APP.
				SIZE: 6	
				GBU 14700	
NZPO		DRAWN	CHECKED	W. B. N. C. R. C. U.	