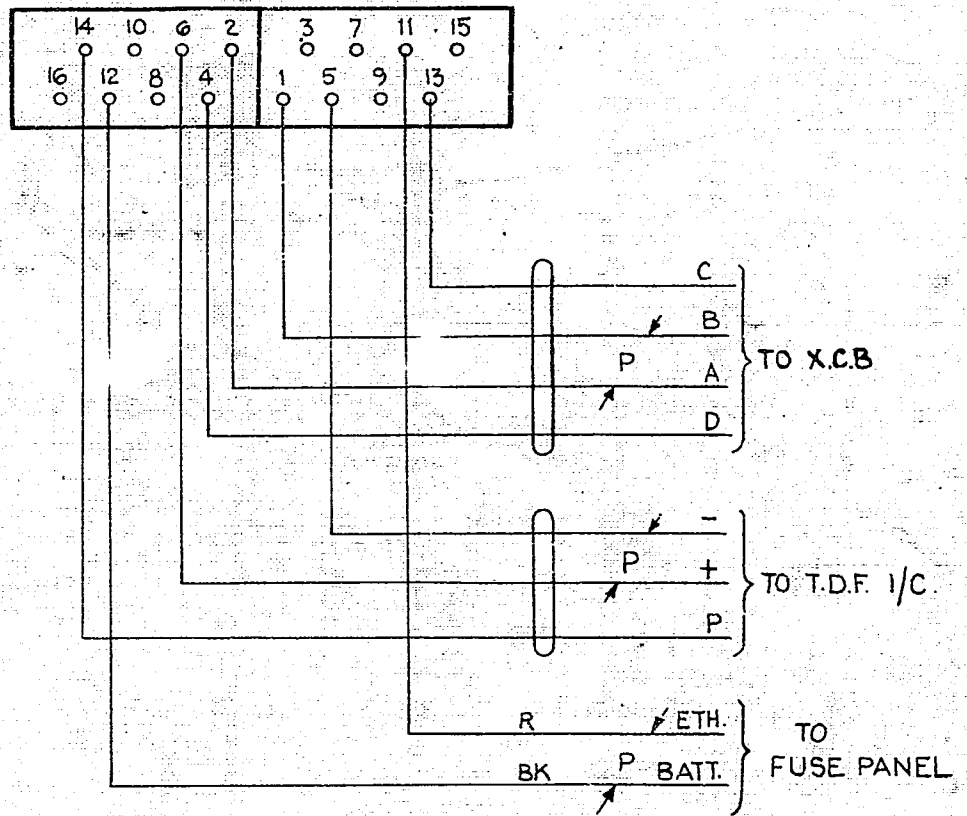


AS SEEN FROM REAR



NOTES -

1. SHELF JACK U POINTS 9 & 11 TO MAKE CONTACT WHEN RELAY SET IS REMOVED.
2. ALL WIRE TO BE 20 S.W.G. UNLESS OTHERWISE SPECIFIED.

				INTERWORKING RELAY SET	
				TYPE RSD (TOLL)	
				7D ROTARY TO STEP BY STEP	
				2000 TYPE	
(66365)	T	28.2.56	CWA		
AMENDMENT PARTICULARS	ISSUE	DATE	APPD	50V	C
N.Z.P.O	A.M.	<i>SPC</i>	<i>Ward</i>	GBU. 14630	

0
5 Centimetres
10
15
20
25
30