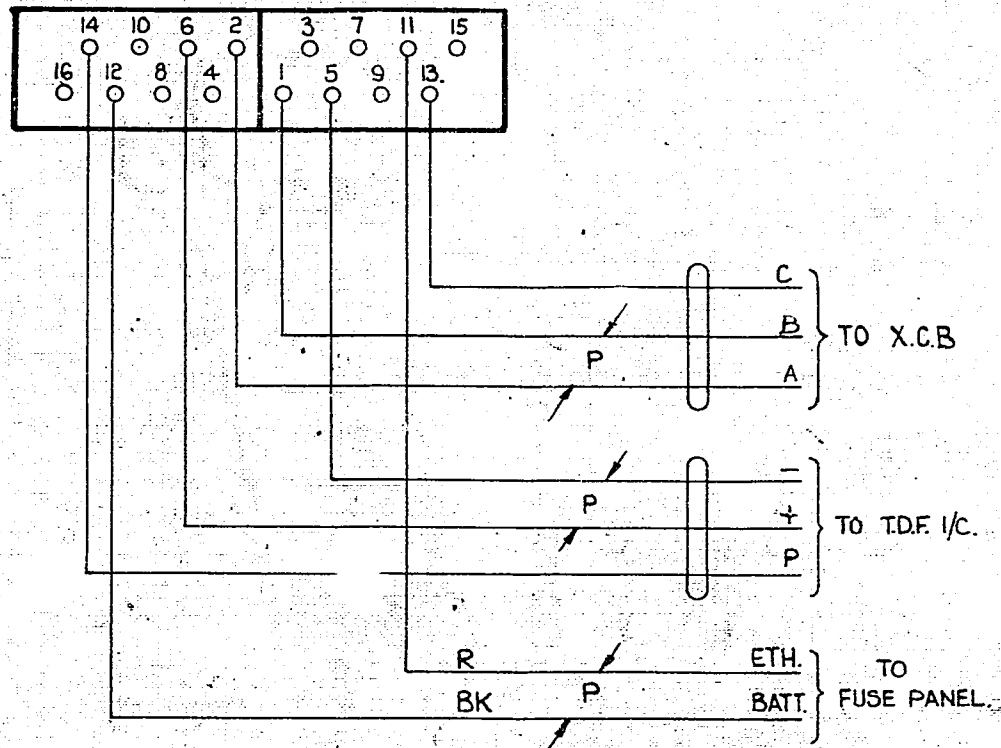


AS SEEN FROM REAR.



NOTES.

1. SHELF JACK U-POINTS 9 & 11 TO MAKE CONTACT WHEN RELAY SET IS REMOVED.
2. ALL WIRE TO BE 20 SWG UNLESS OTHERWISE SPECIFIED.

				INTERWORKING RELAY SET TYPE RSD (REGULAR) 7D ROTARY TO STEP BY STEP		
(66364)				1	28-2-56	CWT
AMENDMENT PARTICULARS				ISSUE	DATE	APPD
				50V		C
N.Z.P.O.				GBU. 14620		