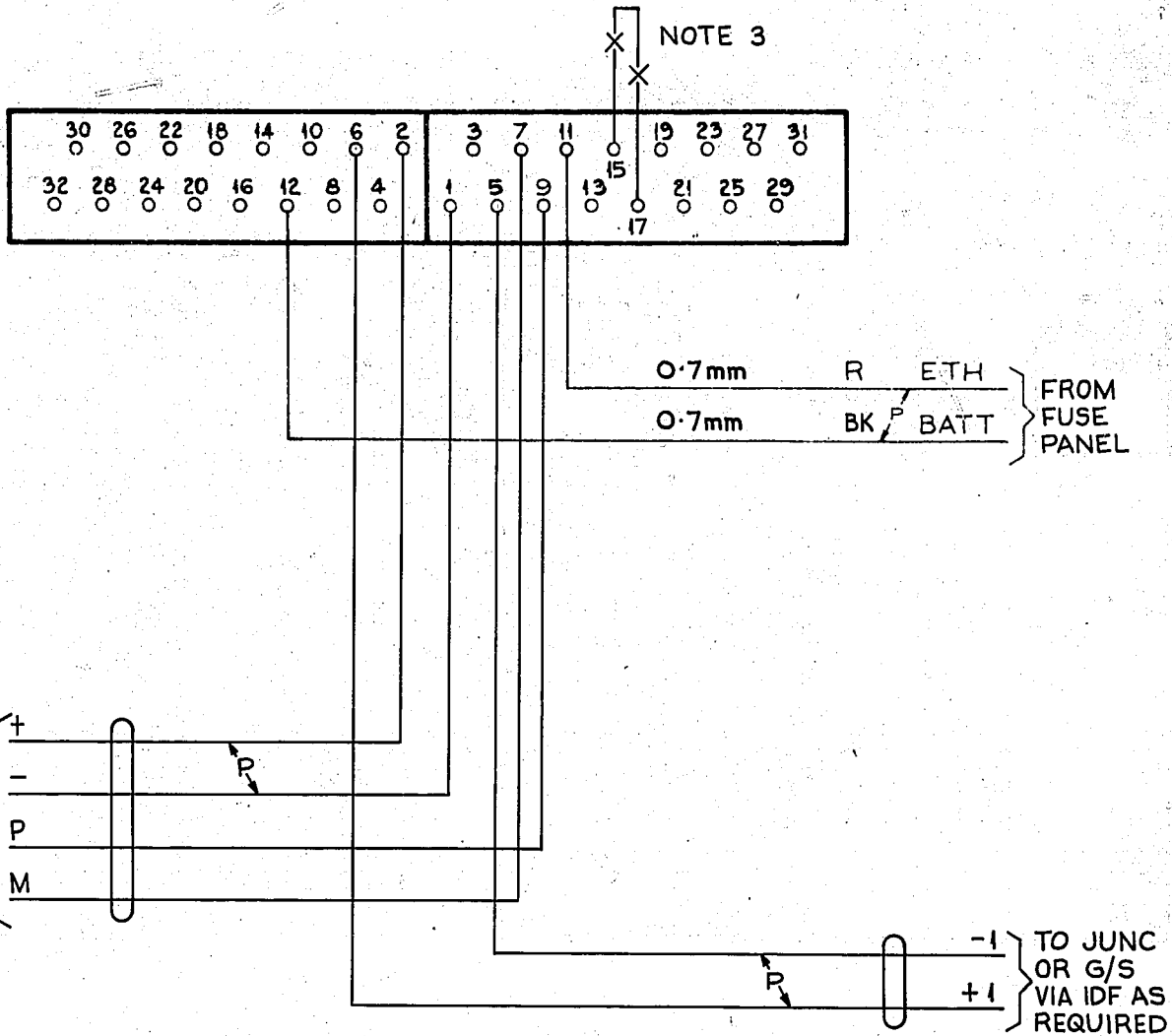


AS SEEN FROM REAR



NOTES:

1. SHELF JACK POINTS U9 - U11 TO MAKE CONTACT WHEN RELAY SET IS REMOVED.
2. ALL WIRING TO BE 0.5mm UNLESS OTHERWISE SPECIFIED.
3. CUT STRAP SHOWN THUS —X— WHEN THE JUNCTION RESISTANCE IS LESS THAN 200Ω.

MODIFIED FOR USE AS GBW 16831

DEL	CKD	APD	ORDER	DATE	ISS	CHANGE
PE.	JHE	BS-H	68484	13.5.75	A	PREPARED FROM GBU 14610 ISS 3 OF 7.5.62.

N Z P O, ENGINEER - IN - CHIEF, WELLINGTON

AUTO - AUTO RELAY SET
UAX TO UAX
UAX TO PARENT EXCHANGE
SUBSCRIBERS DIALLING

COY NO

ORIGIN: T-EQPT

DWNT-EQPT TCD: P.E.

1 OF 1

A4

GBU MOD
14610 A

Centimetres

MASTER TRACING 3608 SHT. 2 OF 3