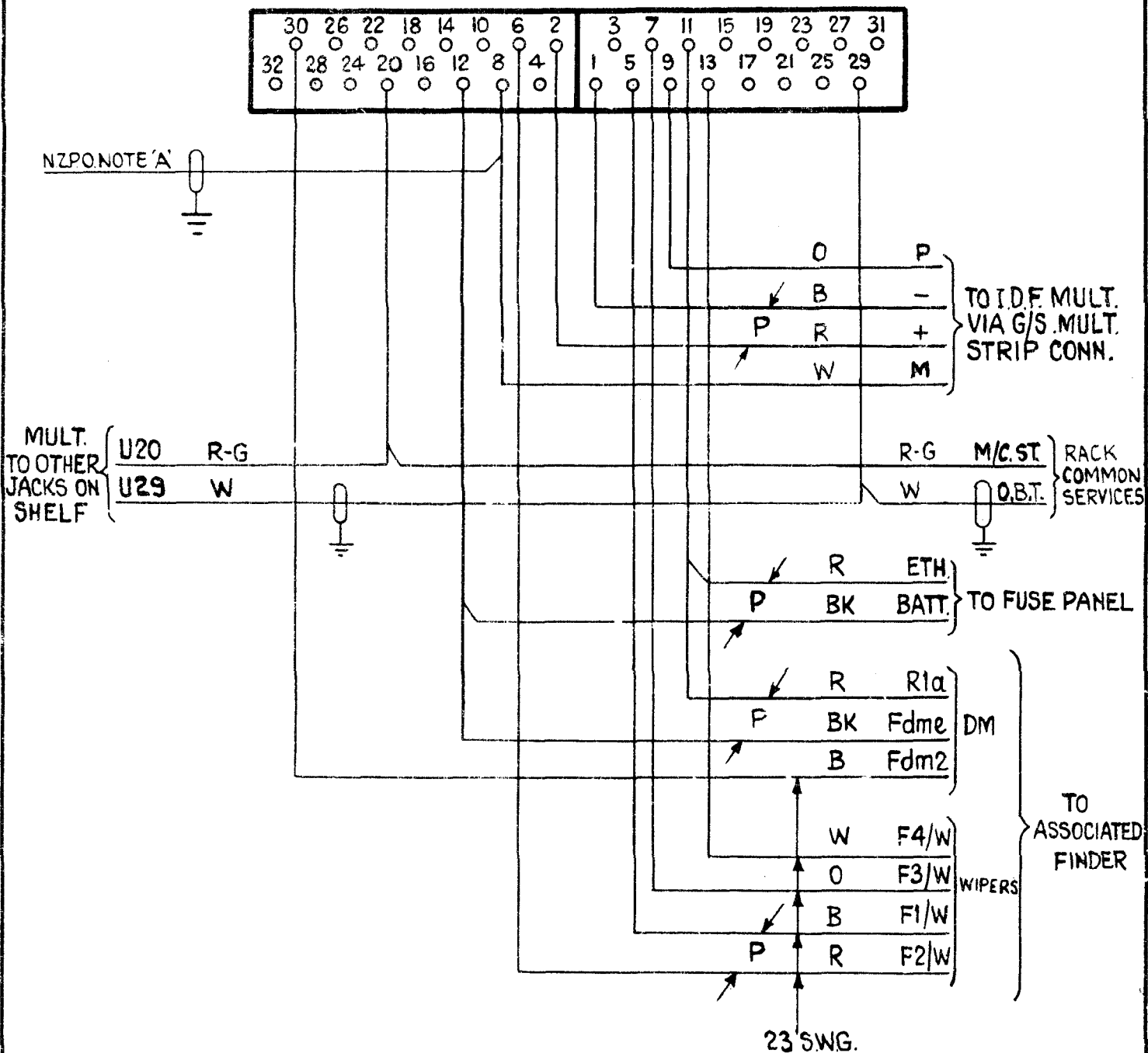


AS SEEN FROM REAR



NOTES

- 1 ALL WIRING TO BE 20 SWG. UNLESS OTHERWISE SPECIFIED.
- 2 SHELF JACK U POINTS 9 & 11 MAKE CONTACT WHEN RELAY SET IS REMOVED.

N.Z.P.O. NOTE A.

WHEN THIS RELAY SET IS USED IN A REMOTE N.Z. 13R OR N.Z. 13RM UNIT TO TERMINATE AN INCOMING UNIDIRECTIONAL OR BOTHWAY JUNCTION, EARTH IS TO BE CONNECTED TO U POINT 8.

SUPERSEDED BY GBU.13680 FOR NEW WORK

INCOMING JUNCTION  
RELAY SET CIRCUIT  
U.A.X.NZ. 13R.

N.Z.P.O. NOTE A ADDED

(13940)

1A

21-7-70

Rw

(66255)

1

8-2-56

CAH+

AMENDMENT PARTICULARS

ISSUE

DATE

APPD

G.E.C. 705021

50V C

N.Z.P.O.

P.A.C.

GBU. 14500