

0
5 Centimetres
10
15
20
25
30

FIG. 1.

AS SEEN FROM REAR.

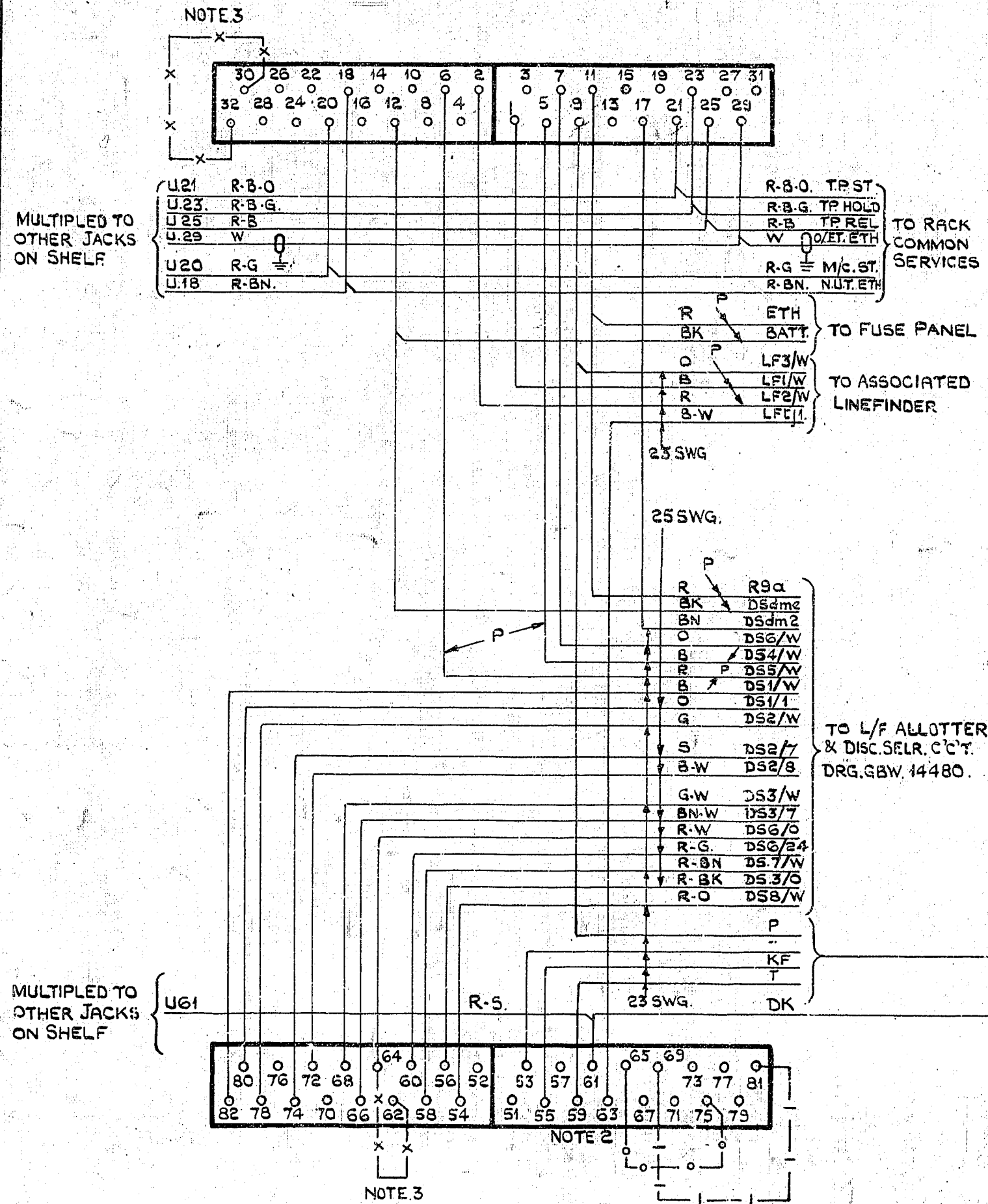
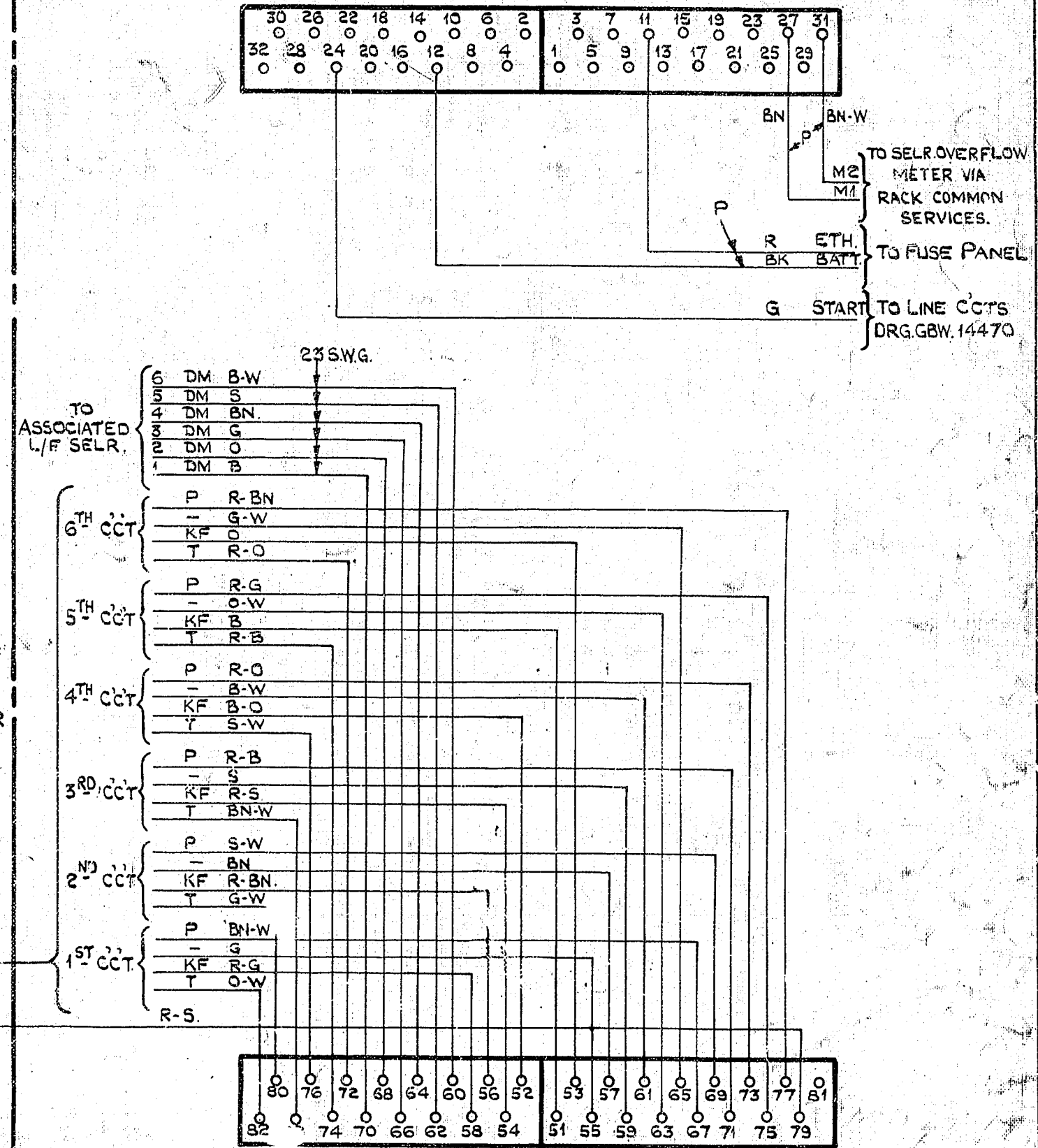


FIG. 4

AS SEEN FROM REAR



NOTES:

1. SHELF JACK U POINTS 59 AND 61 IN FIG. 1 TO MAKE CONTACT WHEN RELAY SET IS REMOVED. SHELF JACK U POINTS 9 & 11 FIG. 1 AND 59 AND 61 IN FIG. 4 NOT TO MAKE CONTACT WHEN RELAY SET IS REMOVED.
2. STRAP U65 TO U POINT ASSOCIATED WITH BANK CONTACT CORRESPONDING TO INITIAL DIGIT OF MULTI-PARTY LINE NUMBERS SEE GBW. 14480 STRAP U81 TO U POINTS ASSOCIATED WITH BANK CONTACTS CORRESPONDING TO UNALLOTTED DIGITS OF MULTI-PARTY LINE NUMBERS SEE GBW. 14480
3. STRAP U30-U32 AND U62-U64 WHEN JUNCTION TERMINATES ON MANUAL BOARD
4. ALL WIRING NOT OTHERWISE SPECIFIED TO BE 20 SWG.

SUPERSEDED BY GBU.13650 FOR NEW WORK

LINEFINDER DISCRIMINATING SELR. REPEATER & ALLOTTER CIRCUIT			
U.A.X.N.Z. 13R			
(66253)	1	8-2-56	CWH
AMENDMENT PARTICULARS.	ISSUE	DATE	APPD
			G.E.C. 705016
			SOV. C
N.Z. P.O.			GBU 14480.