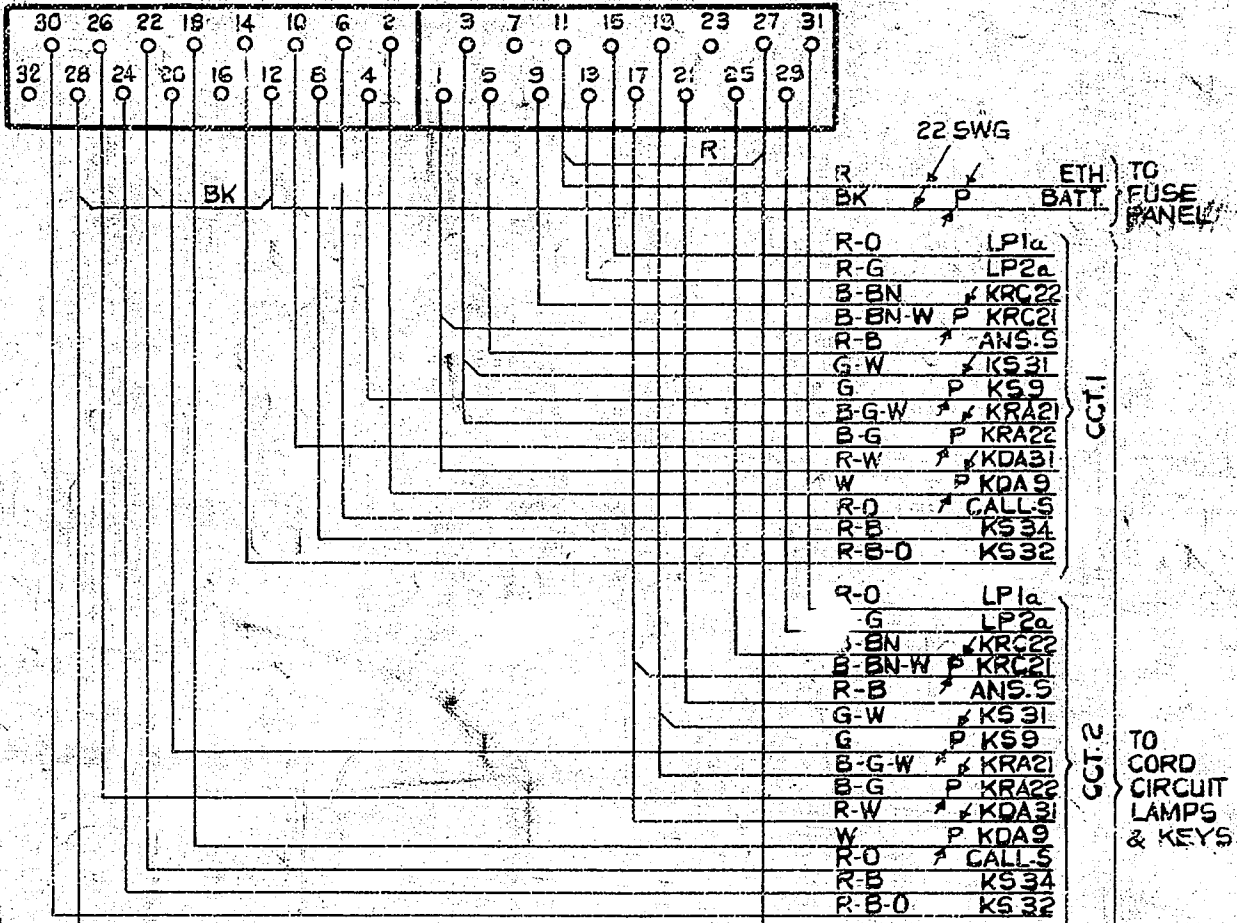




AS SEEN FROM REAR



BK (22 SWG)

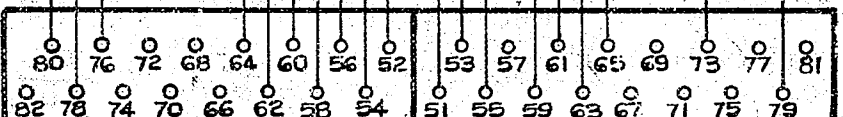
R (22 SWG)

- R-B-O KS32
- R-B KS34
- R-O CALLS
- W KDA9
- R-W P KDA31
- B-G P KRA22
- B-G-W P KRA21
- G KS9
- G-W P KS31
- R-B ANS5
- B-BN-W KRC21
- B-BN P KRC22
- R-G LP2a
- R-O LPIa

MULTIPLE TO OTHER JACKS ON POSN.

- U80 R-B-W
- U78 R-G
- U76 R-S
- U73 R-BK
- U79 R-BN

- R-B-W R13a TO POSN. CCT.
- R-G KHG5 TO RING CCT.
- R-S ASI TO POSN. TERM. STRIP
- R-BK FS1
- R-BN FE1



NOTES

1. ALL WIRING TO BE 25 SWG UNLESS OTHERWISE SHOWN
2. 3 CIRCUITS PER BASE

U80 WENT TO R12a & U78 WENT TO GH22 (82780)	4	24-7-64	
U80 WENT TO R13a & U78 WENT TO KHG 5 (82780)	3	24-7-64	
REDRAWN. CONNS TO KRA 21, 22, KRC21, 22 & KHG 5 ADDED. WIRING GAUGE MOD.(33842) (65411)	2	7-9-59	LWS
	1	5-8-55	R.L.G.
AMENDMENT PARTICULARS	ISSUE	DATE	APPD
NZPO	DRAWN J.G.	CHECKED	WIRING CIRCUIT

CORD CIRCUIT
50/1200 LINE P.A.B.X.

GBU 14210

50' W