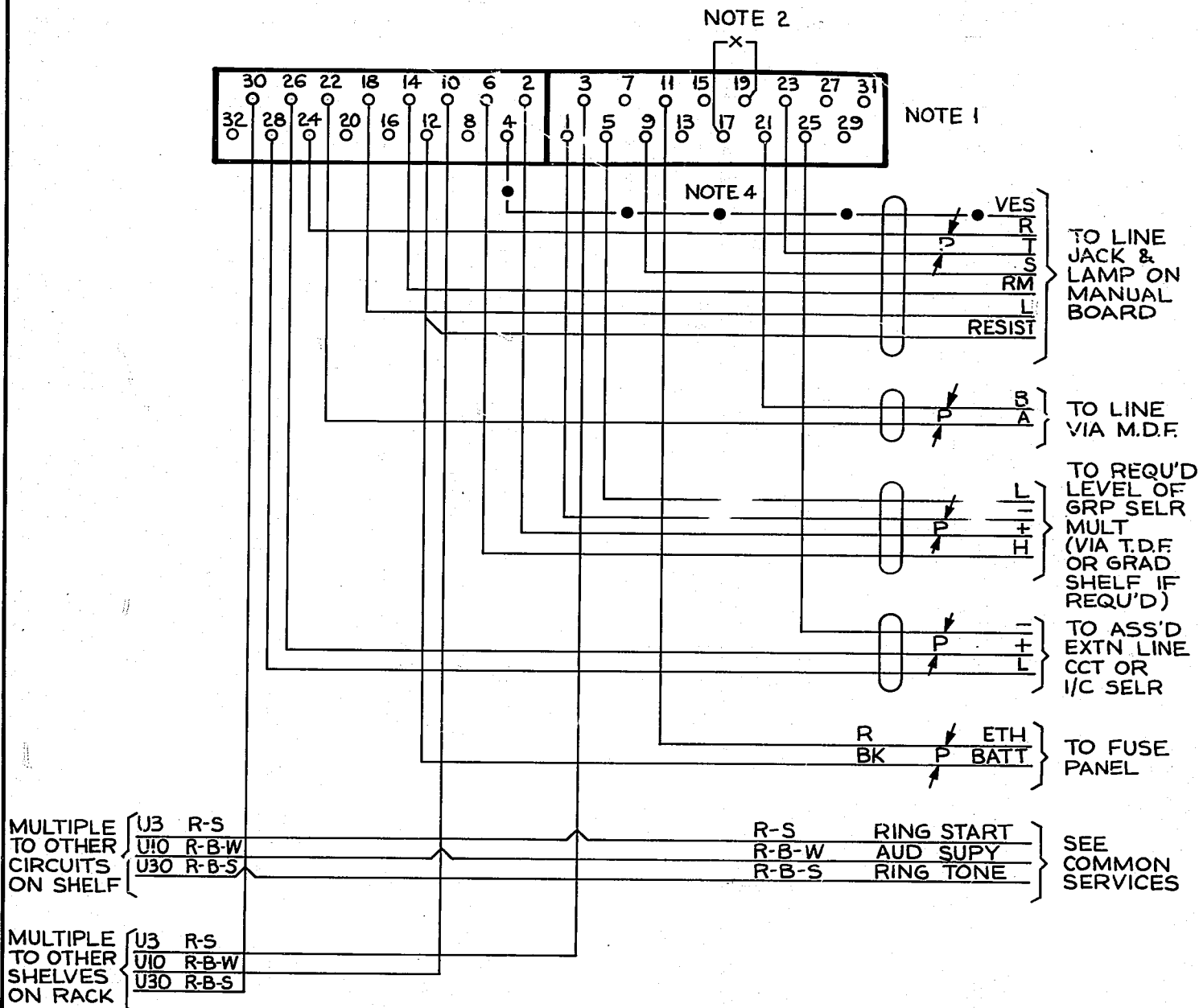


AS SEEN FROM REAR



NOTES:

1. SHELF JACK POINTS U9--U11 MAKE CONTACT WHEN RELAY SET IS REMOVED.
2. ON LINES BARRED DIRECT ACCESS TO PUBLIC EXCHANGE, ADD STRAP SHOWN — X —.
3. ALL WIRING BEARING A COLOUR CODE TO BE 22 SWG UNLESS OTHERWISE SHOWN.
4. IF VISUAL ENGAGED LAMP IS PROVIDED ON MANUAL BOARD ADD CONN SHOWN — ● —.

				<b>INTERSWITCHBOARD LINE CIRCUIT.</b> BOTHWAY AUTO - AUTO. LOOP DIALLING. 50/1200 LINE P.A.B.X.	
RETRACED	(83777)	2	20.5.74	GFE	
VES LEAD AND NOTE 4 ADDED WIRE GAUGE MOD(48426)	(65408)	2	22.11.61	N.B.	
		1	5.8.55		
AMENDMENT PARTICULARS	ISSUE	DATE	APP <sup>o</sup>	50V	W
NZPO	DRAWN	CHECK <sup>o</sup>	WIRING	CIRCUIT	GBU 14170