

0
5 Centimetres
10
15
20
25
30

AS SEEN FROM REAR

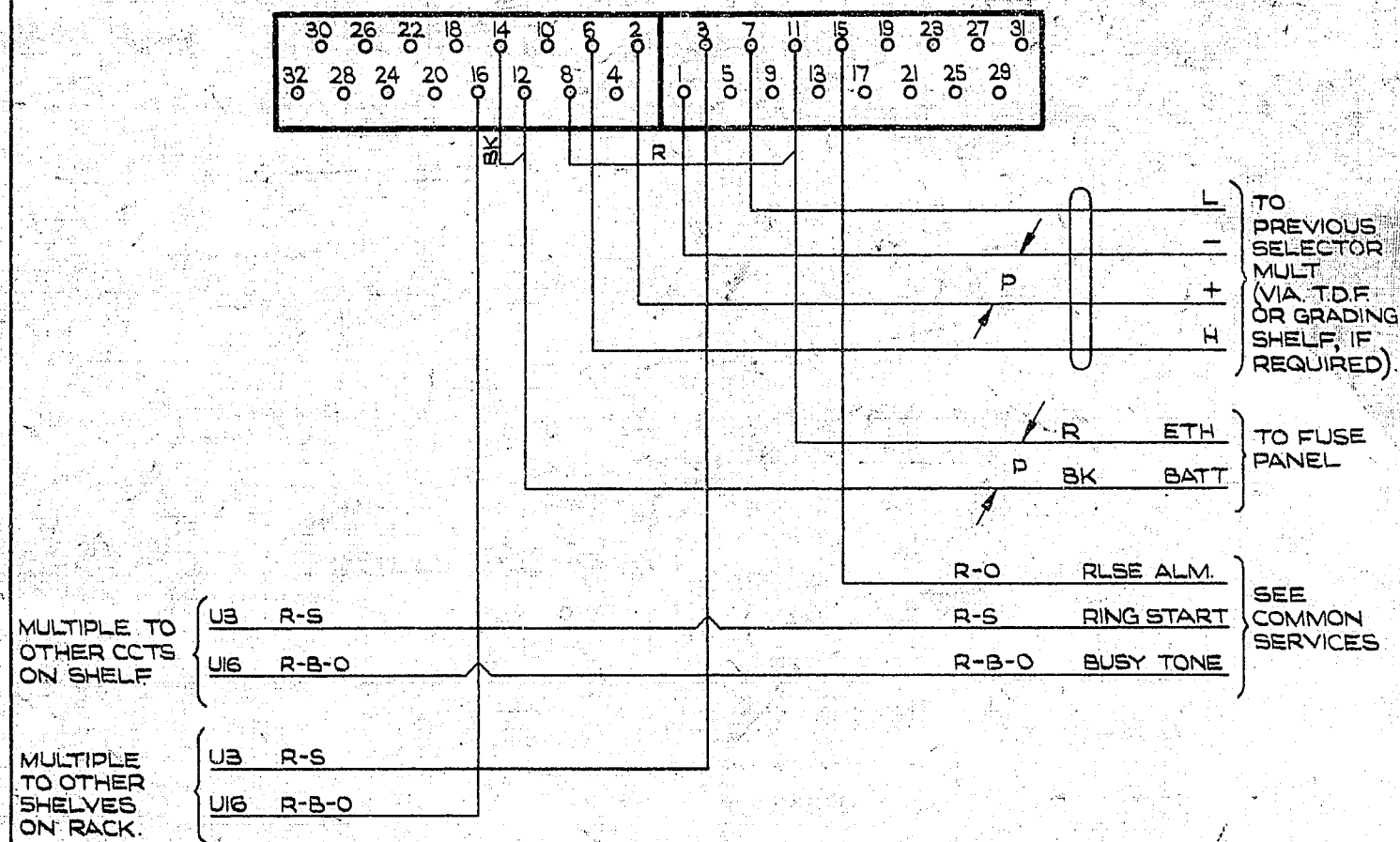


FIG. 1A
2ND GROUP SELECTOR

AS SEEN FROM REAR

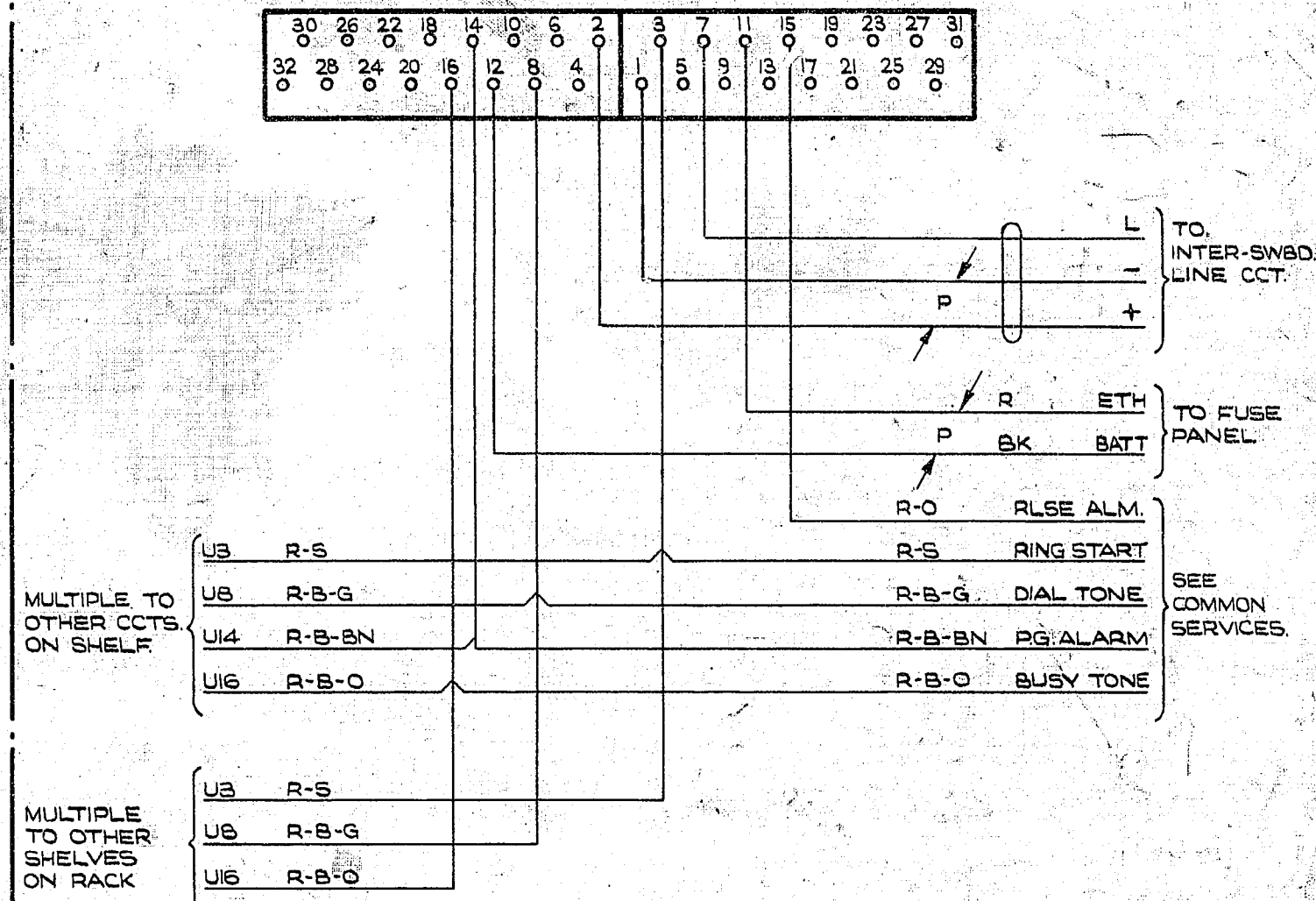


FIG. 1B
INCOMING SELECTOR

NOTE.
1. ALL WIRING BEARING A COLOUR CODE TO BE 20SWG UNLESS OTHERWISE SHOWN.

				SECOND GROUP OR INCOMING SELECTOR. 50/200 LINE P.A.B.X.	
				(65401)	5-8-55
AMENDMENT PARTICULARS				ISSUE DATE	APPD.
N.Z.P.O.				DRAWN JB	CHECKED W
				WIRING CIRCUIT	
				GBU 14100	
				50V	W