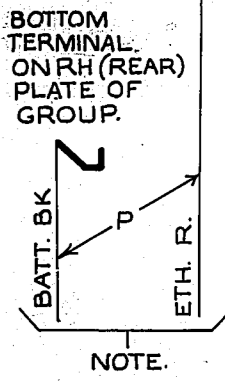
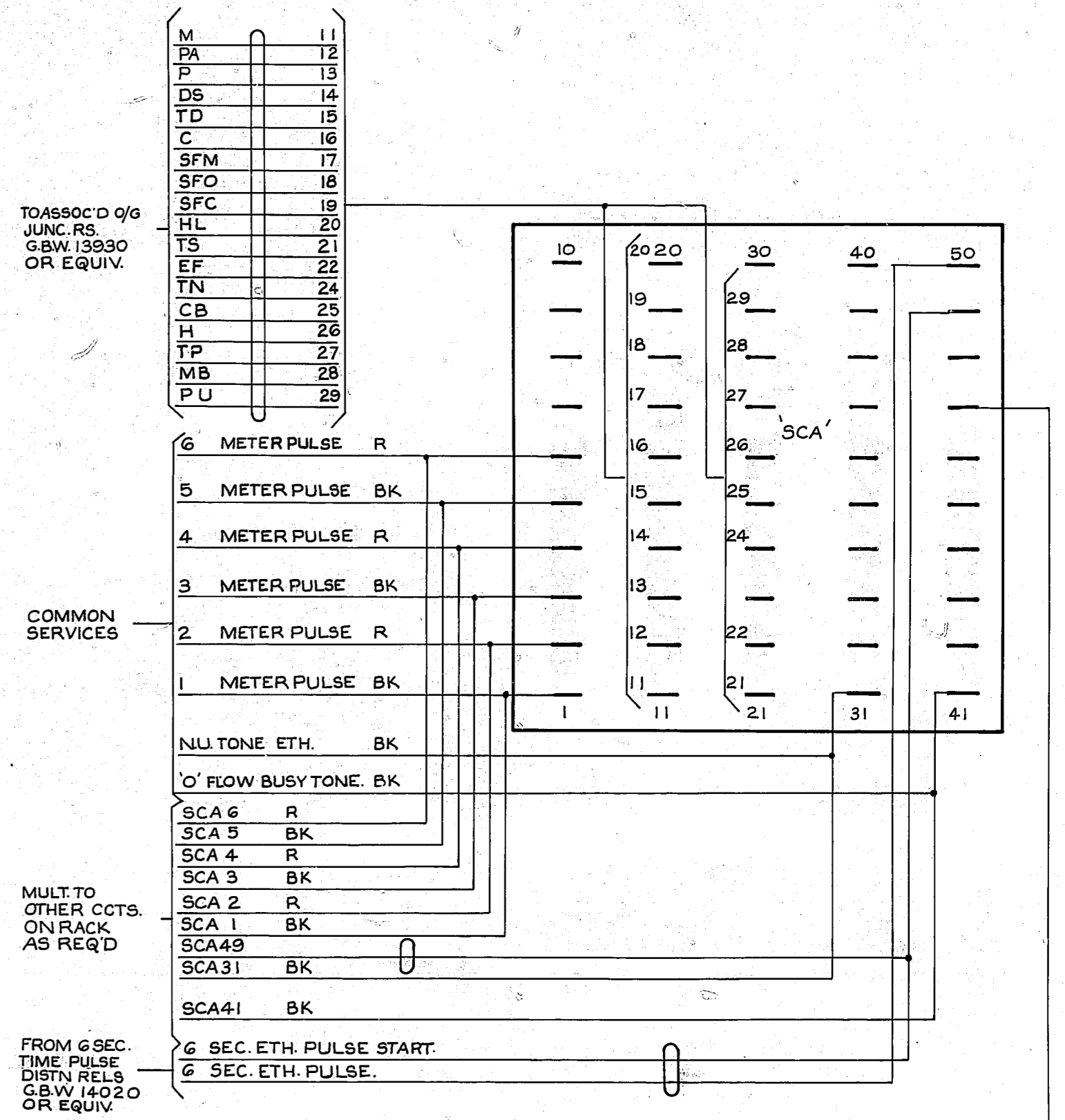


MULT. TO OTHER CCTS ON RACK AS REQ'D

- NOTES:**
1. FUSE WITH ASSOC'D O/G JUNCTION R.S. FUSE SEPARATELY WITH LOA FUSE WHEN O/G JUNCTION R.S. IS IMPULSE REGENERATOR TYPE
 2. ALL WIRING TO BE 22 SWG UNLESS OTHERWISE SPECIFIED.
 3. 'SCA' INDICATES UPPER STRIP CONN. 'SCB' INDICATES LOWER STRIP CONN.



PROOF

				U.A.X. NO. NZ 13	
				ROUTE DISCRIMINATING & TIMING CIRCUIT.	
RETRACED	(183016)	2A	9.11.79		
PIP-PIP-PIP TONE ETH DELETED FROM SCA45 (74882)		2	22.8.63	D.B.H.	
	(30770)	1	20.12.54	ASH	
AMENDMENT PARTICULARS			ISSUE DATE	APPD	REF: 50V H
			GBU 13920		
N.Z. P.O.		DRAWN D. MCP	CHECKED	WIRING	CIRCUIT