

FIG.1 TONE & TIME PULSE CIRCUIT

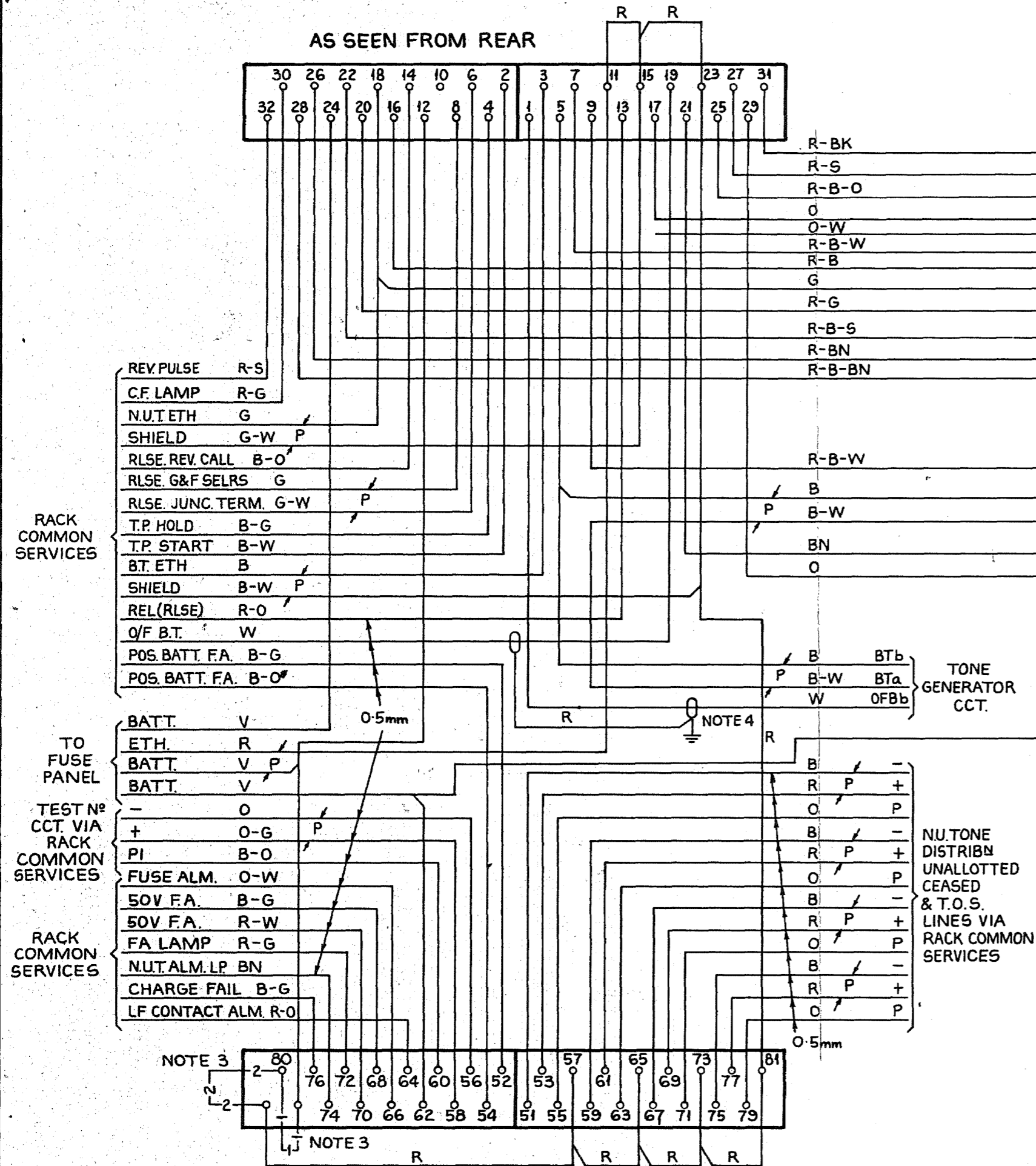
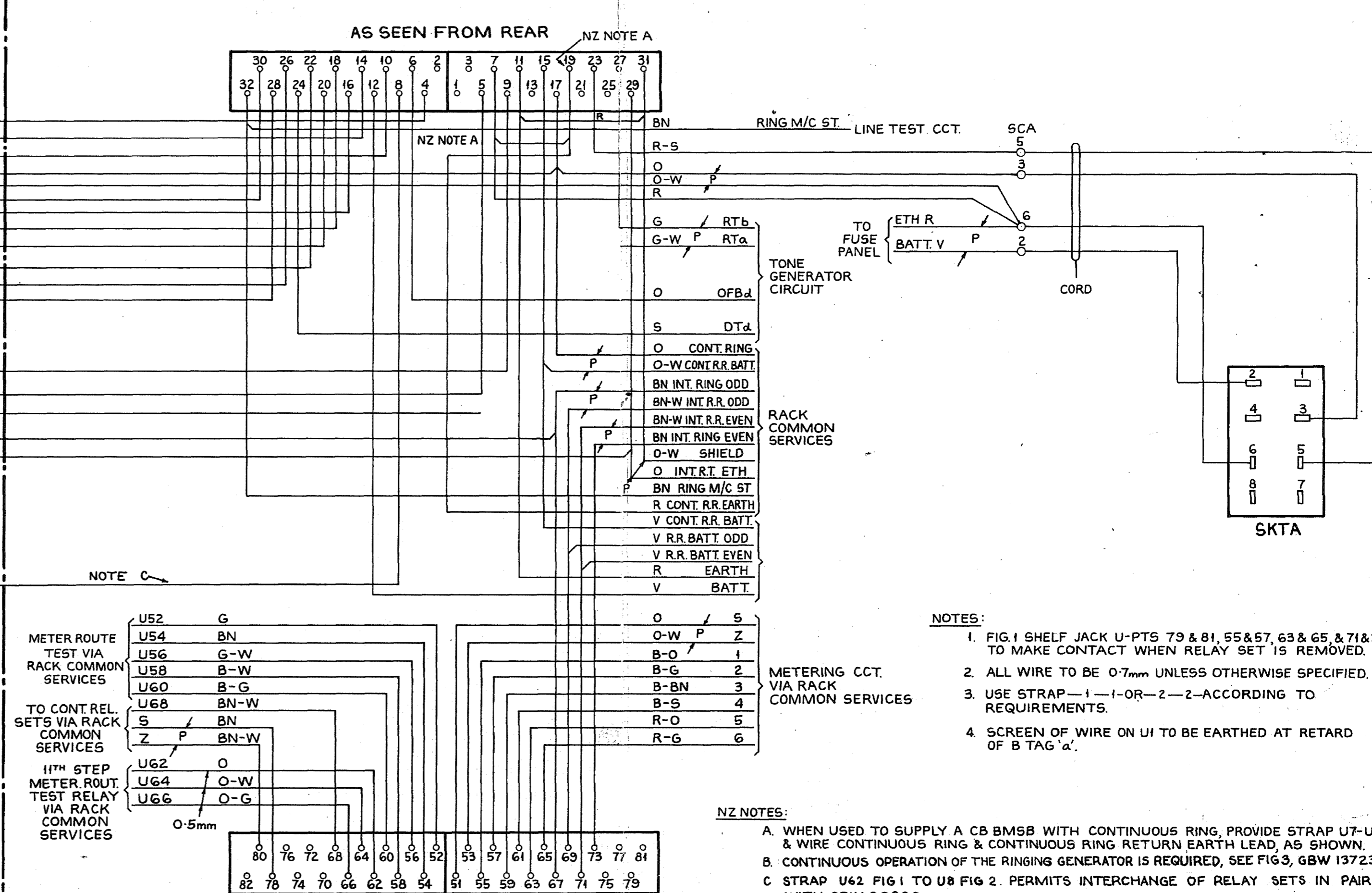


FIG.2 RINGING & METER PULSE CCT.



- NOTES:**
- FIG.1 SHELF JACK U-PTS 79 & 81, 55 & 57, 63 & 65, & 71 & 3 TO MAKE CONTACT WHEN RELAY SET IS REMOVED.
 - ALL WIRE TO BE 0.7mm UNLESS OTHERWISE SPECIFIED.
 - USE STRAP—1—1-OR—2—2—ACCORDING TO REQUIREMENTS.
 - SCREEN OF WIRE ON UI TO BE EARTHED AT RETARD OF B TAG 'a'.

- NZ NOTES:**
- WHEN USED TO SUPPLY A CB BMSB WITH CONTINUOUS RING, PROVIDE STRAP U7-U19 & WIRE CONTINUOUS RING & CONTINUOUS RING RETURN EARTH LEAD, AS SHOWN.
 - CONTINUOUS OPERATION OF THE RINGING GENERATOR IS REQUIRED, SEE FIG 3, GBW 13723
 - STRAP U62 FIG 1 TO U8 FIG 2. PERMITS INTERCHANGE OF RELAY SETS IN PAIRS WITH GBW 20230

NZ NOTE B AMD: NOTE C & STRAP ADDED					(154268)			3 B	30-9-76	C.J.W.
WIRE GAUGES WERE SW.G.					(99912)			3A	29-8-73	B.S-H
NZ NOTE A AMD. & NZ NOTE B ADDED.					(8048)			2B	18-2-71	B.S-H
NZ NOTE A ADDED					(28060)			2A	7-12-70	B.S-H
NOTE 4 & CONNS. TO US FIGS. 1 & 2 MOD.					(86633)			2	22-3-68	G.E.
					(83618)			1	4-8-67	D.I.B

U.A.X. NZ 13		
COMMON EQUIPT. RINGING		
TONES & PULSES USING		
ELECTRONIC GENERATOR		
SIZE M		50V. C

NZPO	WS.F	D.L.	GBU 13723	ENGR'S RECORD
------	------	------	-----------	---------------