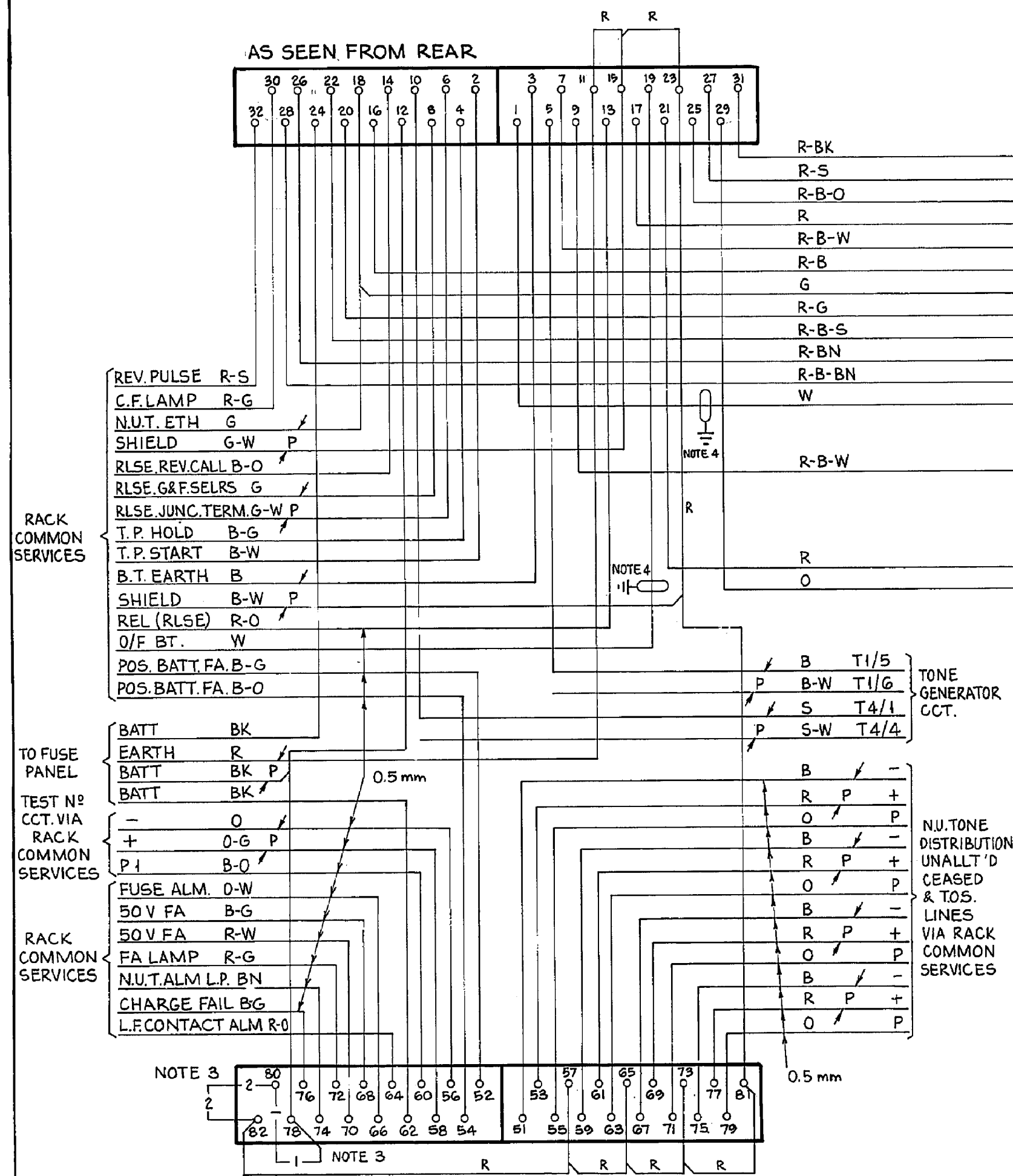
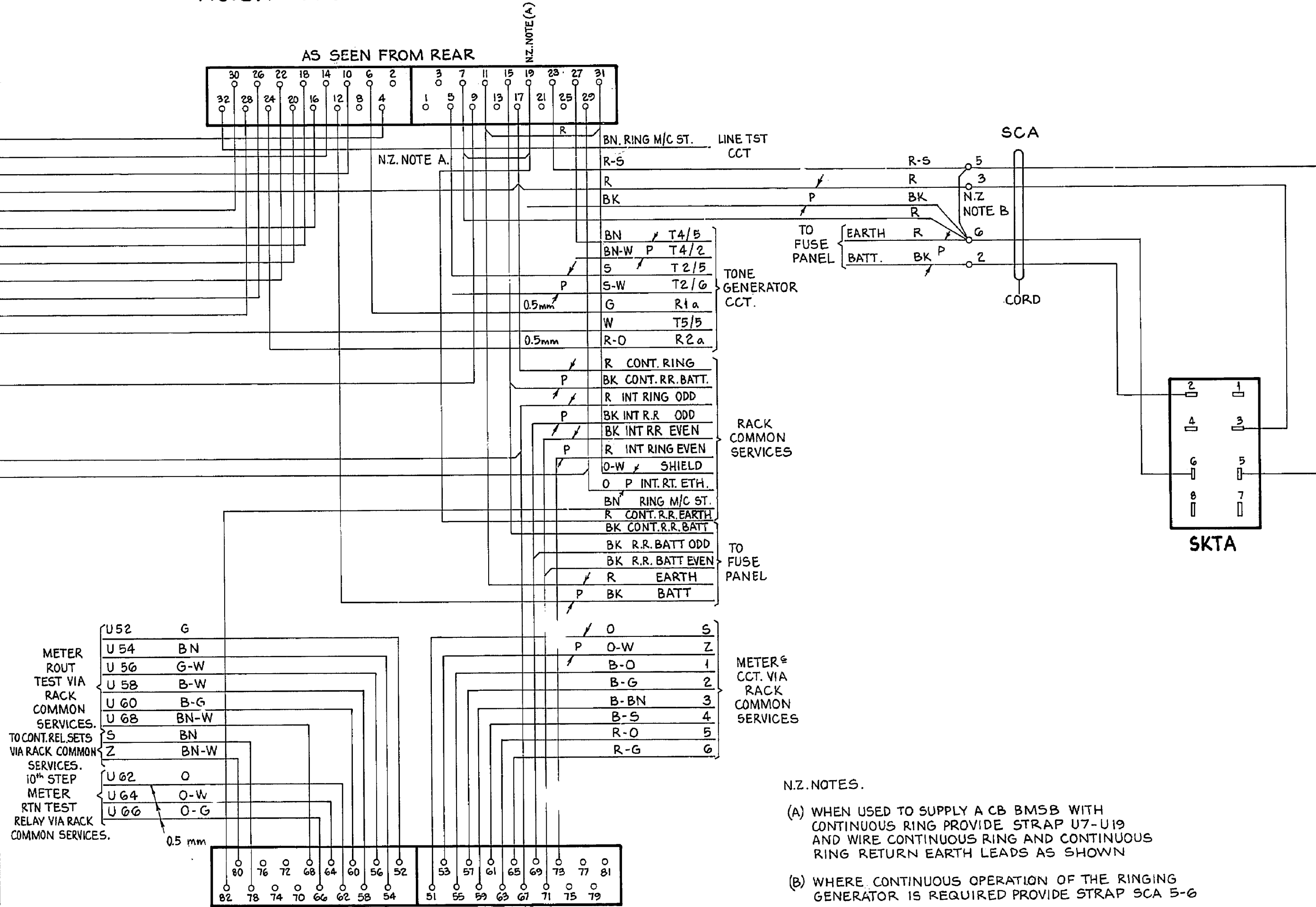


FIG. 1. TONE AND TIME PULSE CCT.



- NOTES:
- FIG. 1 SHELF JACK U POINTS 79 & 81, 55 & 57, 63 & 65, 71 & 73 TO MAKE CONTACT WHEN RELAY SET IS REMOVED.
 - ALL WIRE UNLESS OTHERWISE STATED TO BE 0.7mm
 - USE STRAP -1-1-OR-2-2- ACCORDING TO REQUIREMENTS.
 - SCREENS OF SCREENED WIRE TO BE EARTHED AT U 11.

FIG. 2. RINGING AND METER PULSE CCT.



N.Z. NOTES.

- (A) WHEN USED TO SUPPLY A CB BMSB WITH CONTINUOUS RING PROVIDE STRAP U7-U19 AND WIRE CONTINUOUS RING AND CONTINUOUS RING RETURN EARTH LEADS AS SHOWN
- (B) WHERE CONTINUOUS OPERATION OF THE RINGING GENERATOR IS REQUIRED PROVIDE STRAP SCA 5-6

RETRACED AND METRICATED (157658)				2C	25.6.78	R.E.D.	UAX. NZ 13 COMMON EQUIPT RINGING TONE & PULSES USING ELECTRONIC GENERATOR
NZ NOTE A AMENDED; NZ NOTE B ADDED (8047)				2B	18.2.71	B.S.H.	
(4720G)				1	29.1.65	J.M.C.	
AMENDMENT PARTICULARS			ISS	DATE	APPD	50V	
NZPO		DGR	WT				GBU 13722