

FIG.1 TONE & TIME PULSE CCT.

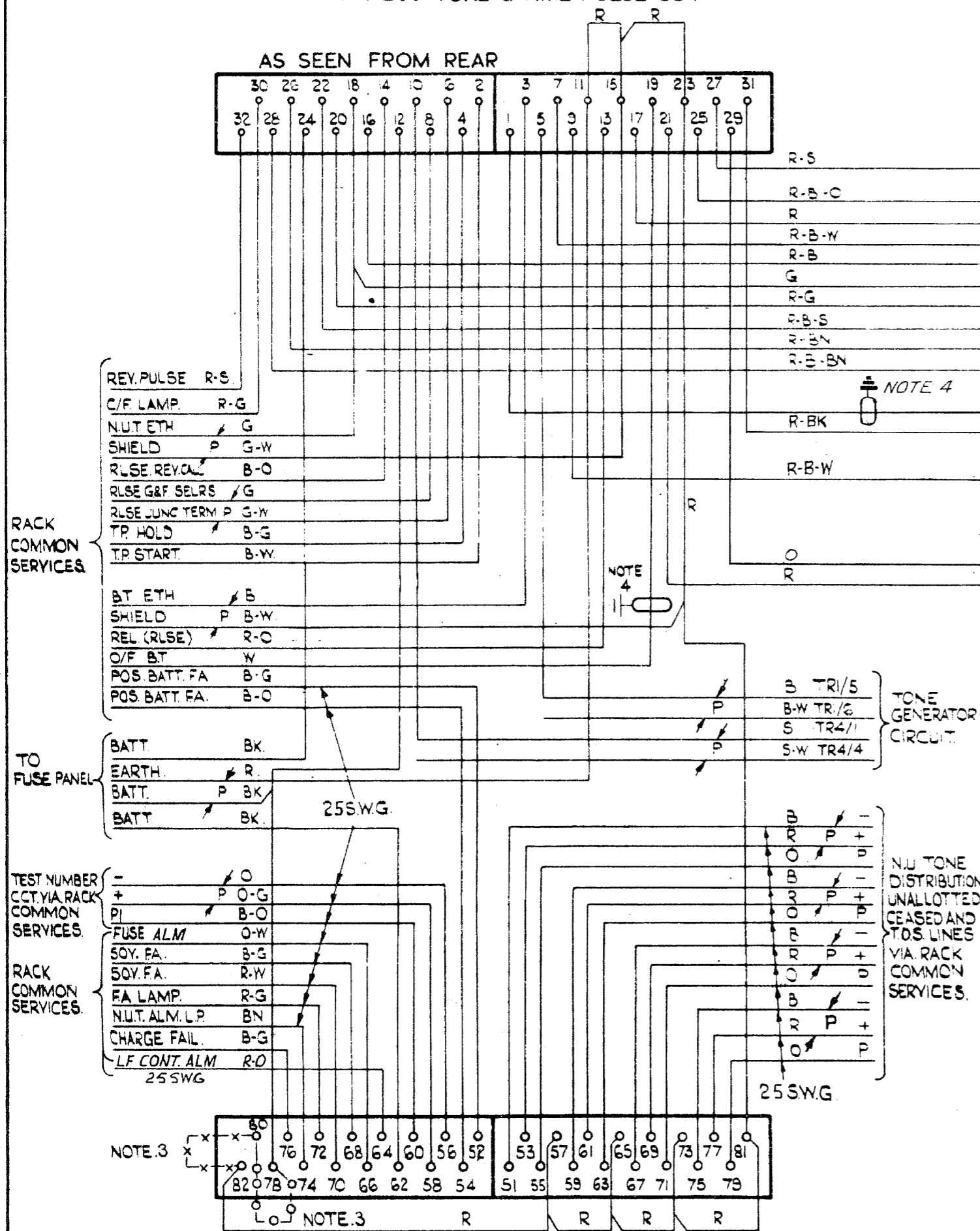
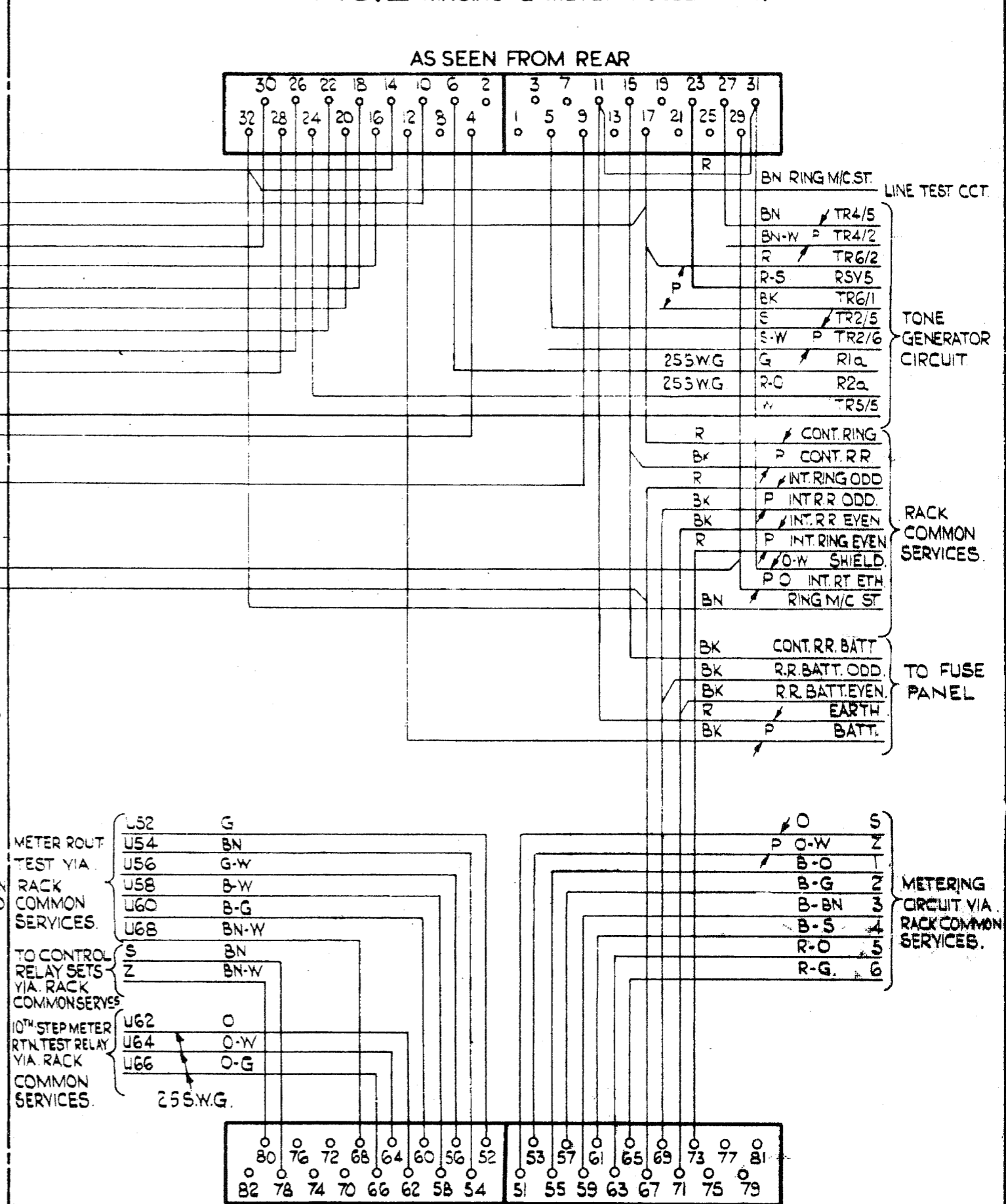


FIG.2 RINGING & METER PULSE CCT.



NOTES

1. FIG.1 SHELF JACK U-POINTS 79 & 81, 55 & 57, 63 & 65, 71 & 73 TO MAKE CONTACT & U9 & U11 NOT TO MAKE CONTACT WHEN RELAY SET IS REMOVED.
FIG.2 SHELF JACK U-POINTS 9 & 11 NOT TO MAKE CONTACT WHEN RELAY SET IS REMOVED.
2. ALL WIRE UNLESS OTHERWISE SPECIFIED TO BE 22 S.W.G.
3. USE STRAP-X-X-OR-O--ACCORDING TO REQUIREMENTS.
4. SCREENS OF SCREENED WIRE TO BE EARTHED AT U11.

REPLACEMENT TCG		(83758)	2	16.4.74	BS-H
NOTE 1 MOD. WIRE GAUGES AMENDED 900 C.P.S. DELETED. LIF CONT. ALM MOVED TO U64, CONNS. U9.29.31 FIG.1 TO U9.29.4 FIG.2 ADDED(ATTCO)			2	19-11-65	WT
AMENDMENT PARTICULARS.				16-1-56	
NZPO					
					U.A.X. N.Z. 13.
					COMMON EQUIPMENT RINGING TONES & PULSES USING ELECTRONIC GENERATORS.
					SIZE S C
					GBU 13721