

FIG.3 CODE RINGING

AS SEEN FROM REAR

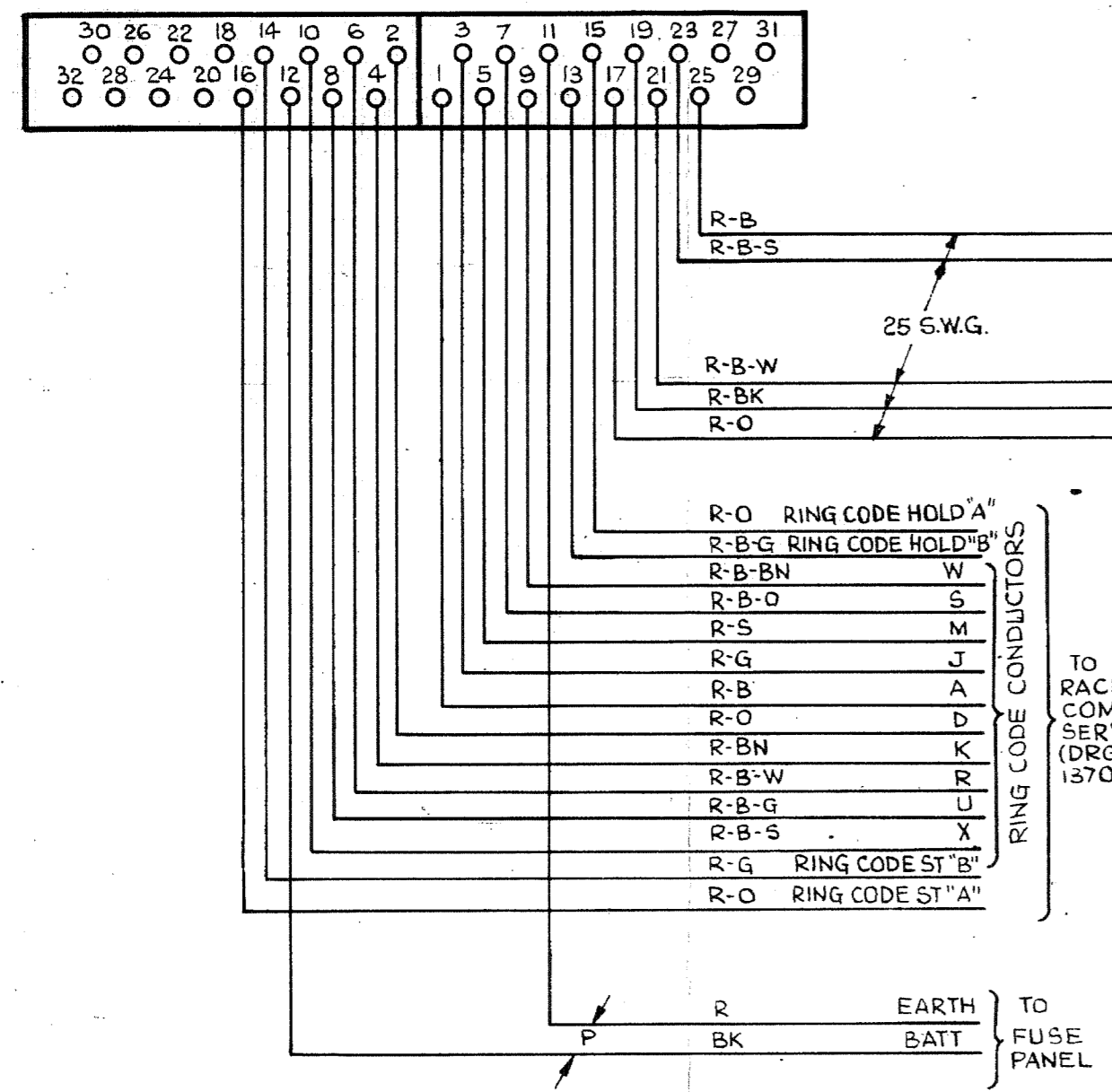


FIG.2 ALARMS & TIME PULSE

AS SEEN FROM REAR

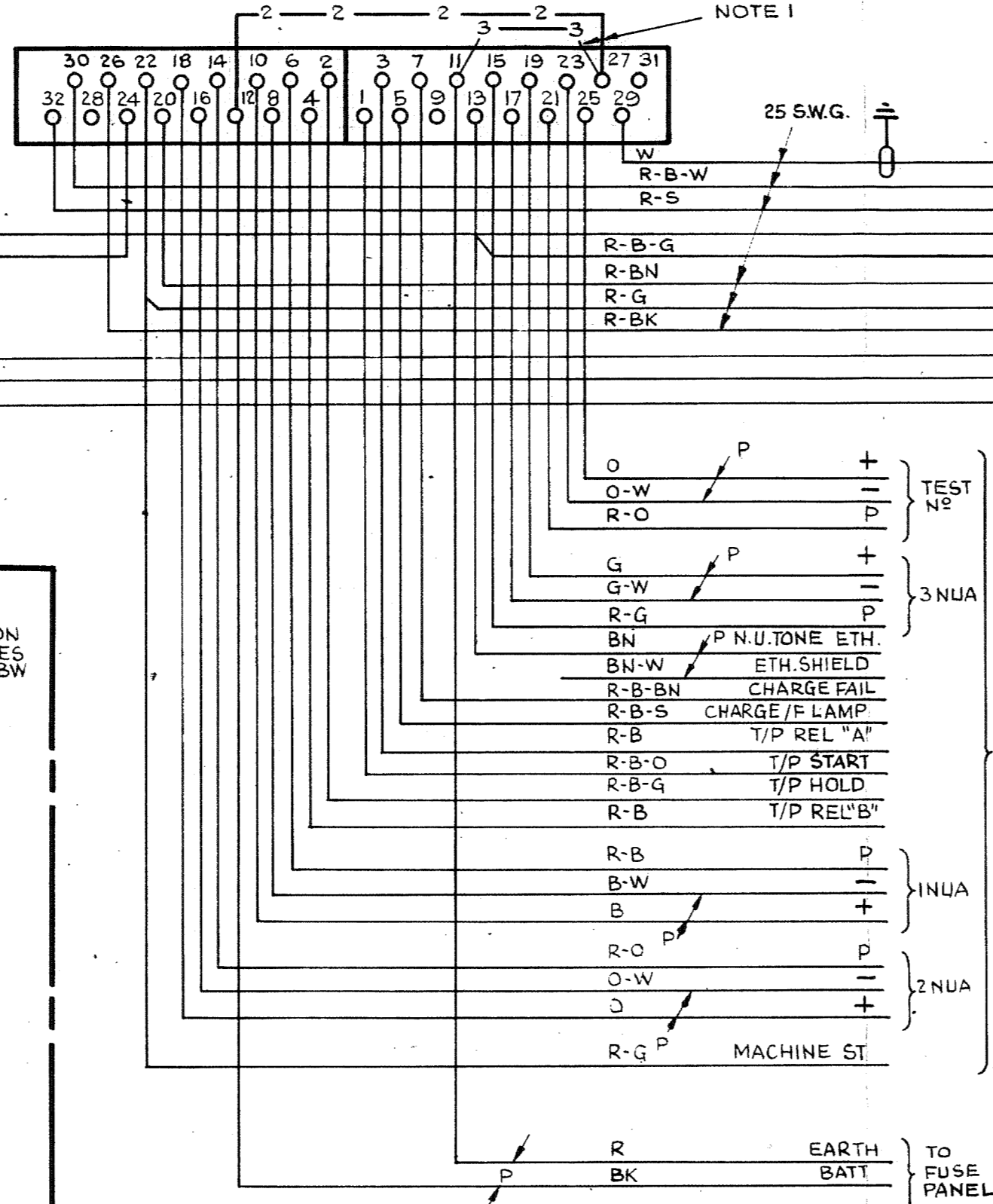
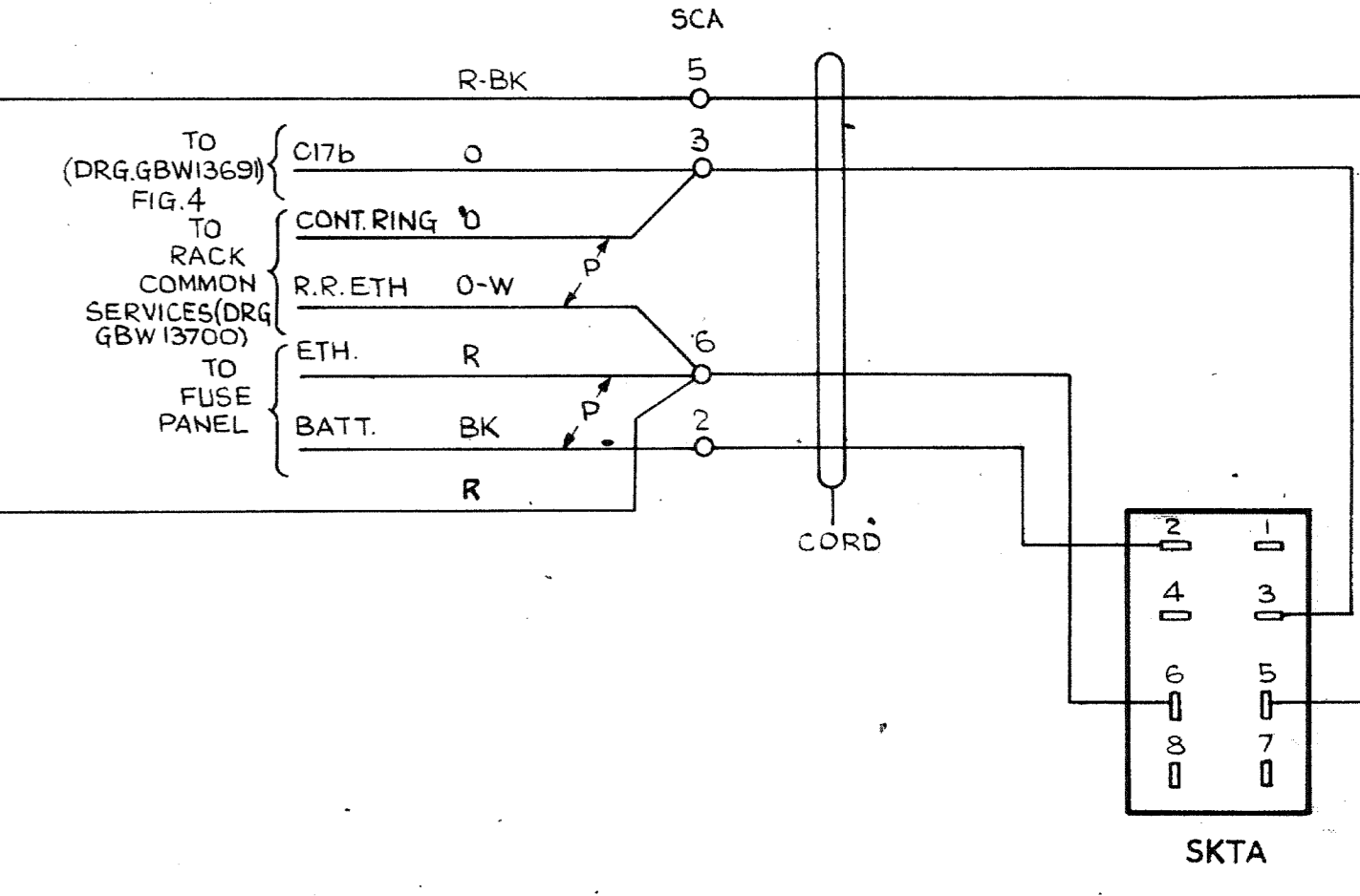
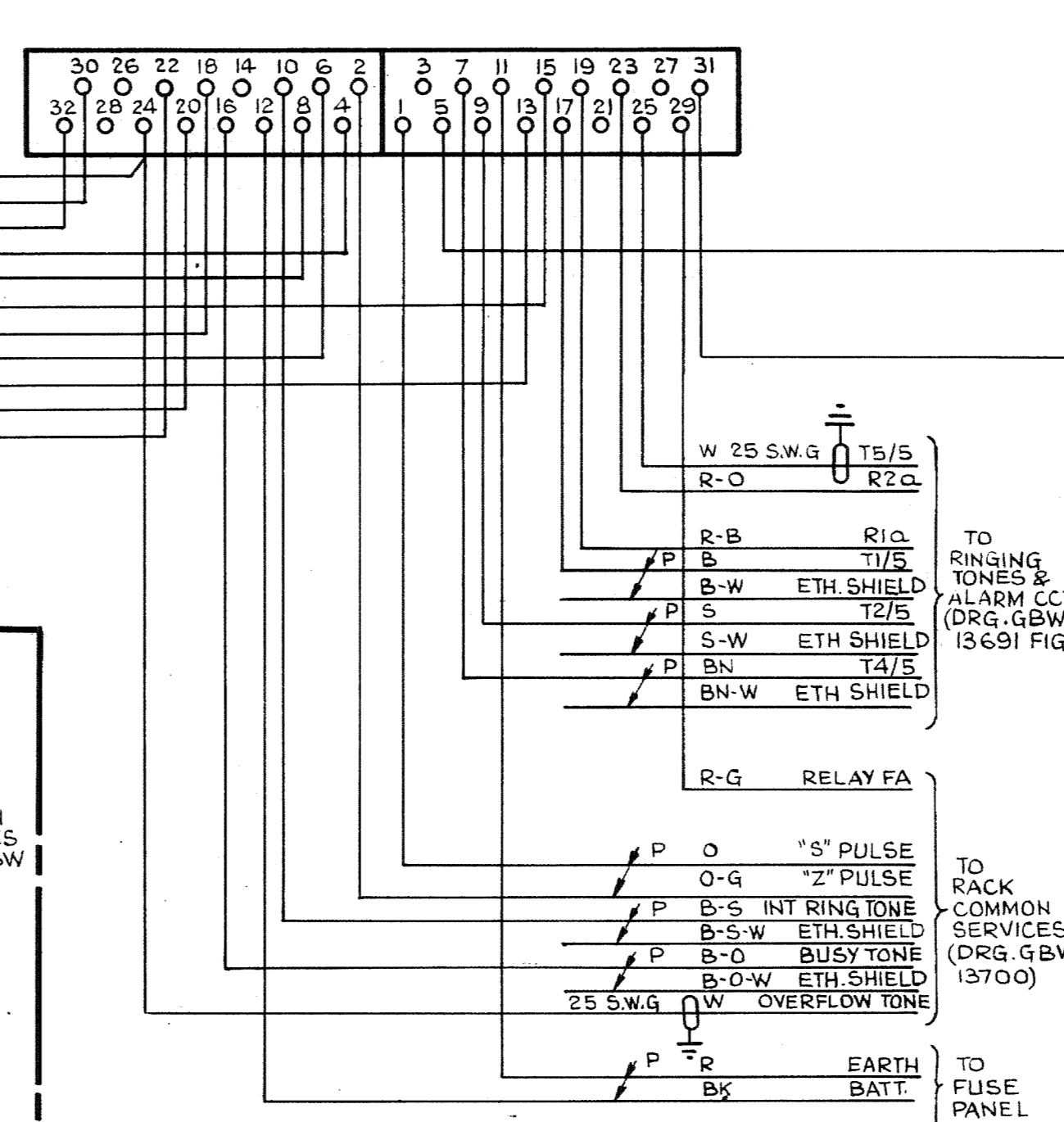


FIG.1 RING & PULSE DISTRIBUTION

AS SEEN FROM REAR



NOTES:-

1. INSERT STRAPS SHOWN THUS — 3 — 3 — (U11-U27) OR THUS — 2 — 2 — (U12-U27) AS REQ'D.
2. ALL WIRES UNLESS OTHERWISE SPECIFIED TO BE 23 S.W.G.

ENGINEER'S RECORD

| RINGING TONES & ALARMS PULSE DISTRIBUTION & RINGING CODES N.Z. U.A.X. 13R | | | | | |
|---|---------|------|-------|----|-----------|
| FIG 1 - WIRE TO U31 ADDED | (92983) | 2 | 10-65 | WT | |
| | (47443) | 1 | 11-65 | WT | |
| AMENDMENT PARTICULARS | ISSUE | DATE | APPD | | 50V/C |
| NZ.P.O. | | | | | GBU 13691 |