

FIG. 3. (CODE RINGING)

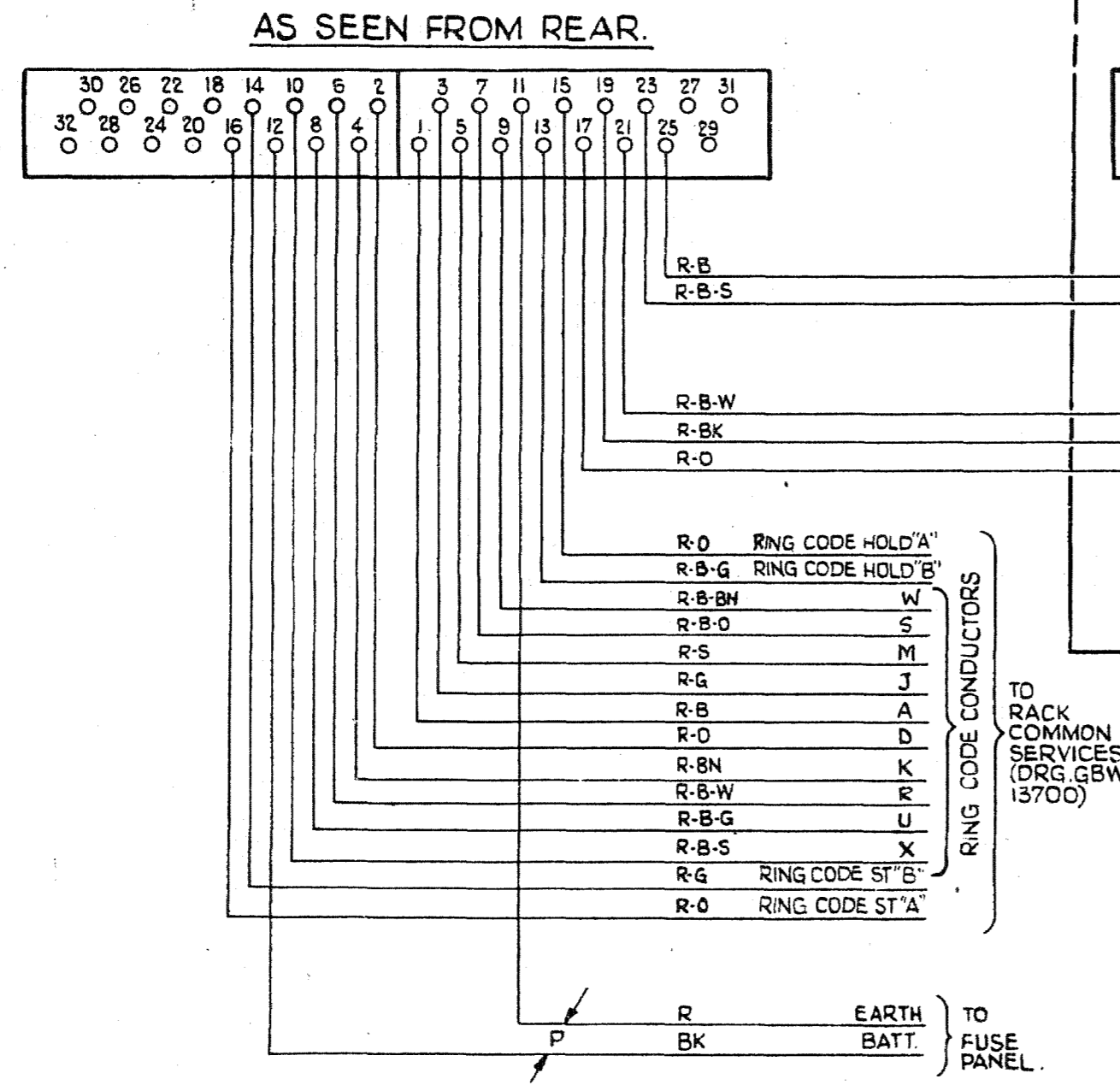


FIG. 2 (ALARMS & TIME PULSE).

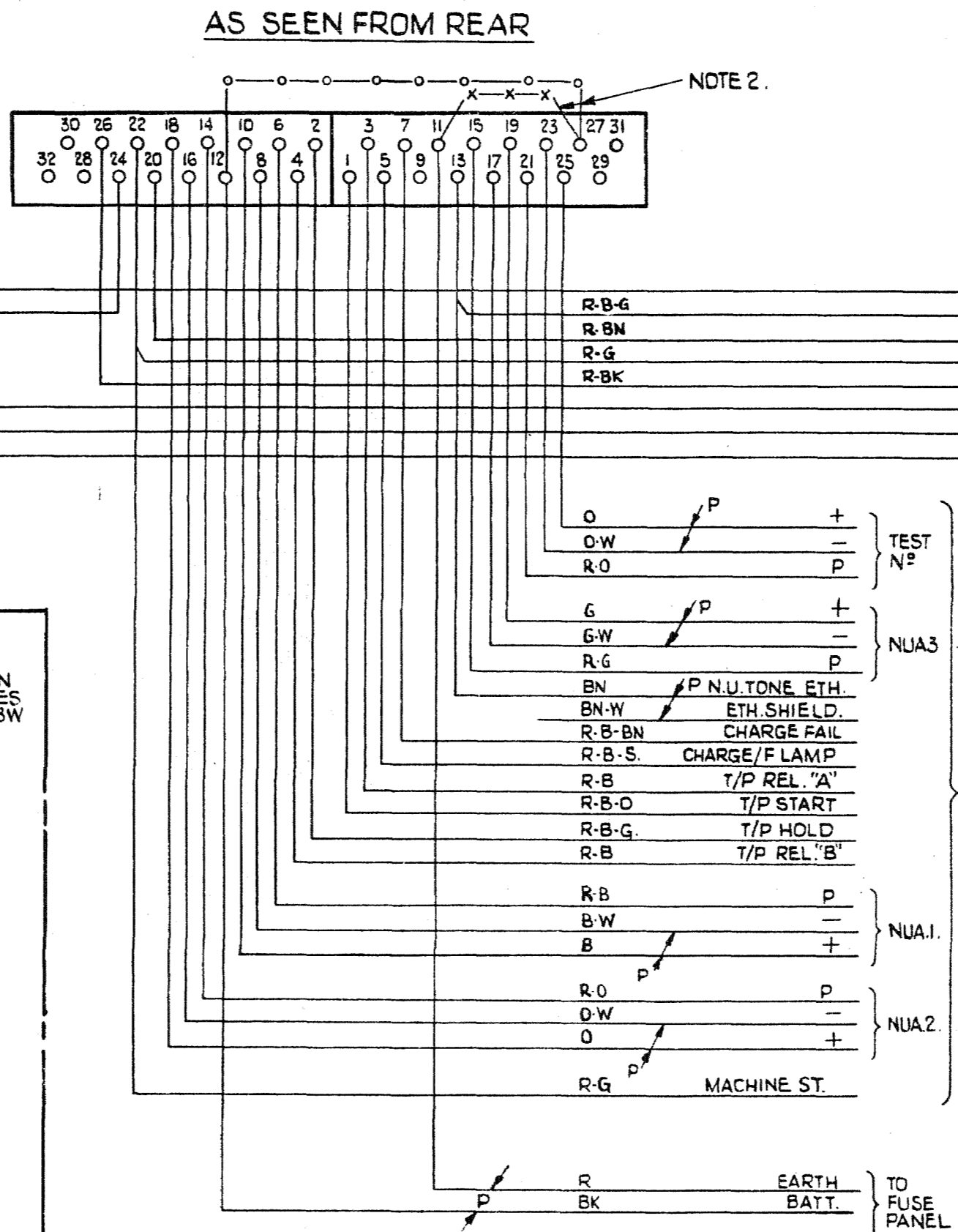
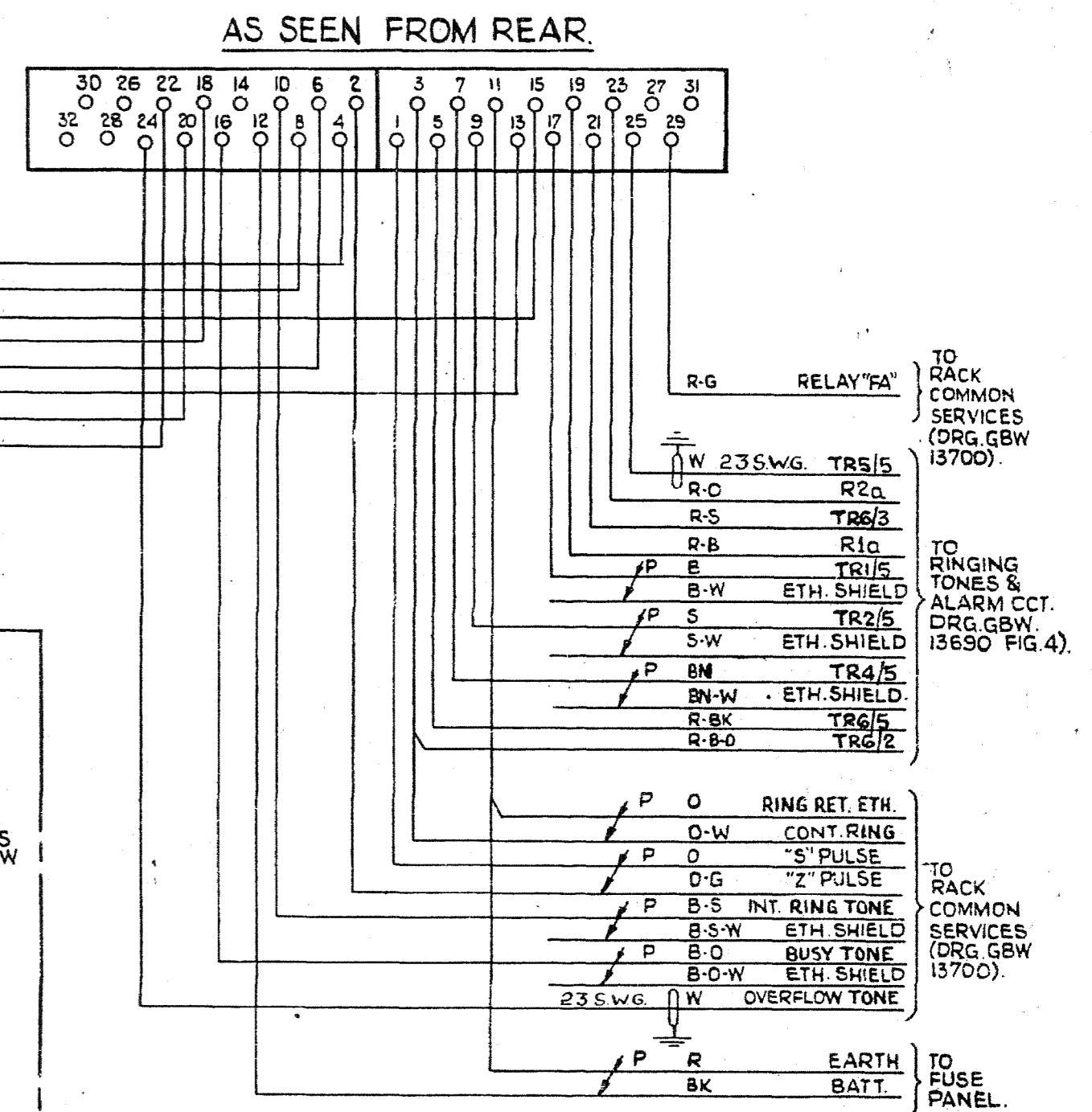


FIG. 1. (RING & PULSE DISTRIBUTION).



NOTES:-
 1. SHELF JACK 'U' POINTS 9 & 11 NOT TO MAKE CONTACT WHEN RELAY SETS FOR FIGS. 1, 2 & 3 ARE REMOVED.
 2. INSERT STRAPS SHOWN THUS —x—x— (U11-U27) OR THUS —o—o— (U12-U27) AS REQD.
 3. ALL WIRES UNLESS OTHERWISE SPECIFIED TO BE 20 S.W.G.

RINGING TONES & ALARMS PULSE DISTRIBUTION & RINGING CODES. N.Z. U.A.X. 13R.			
FIG. 3- RING CODE CONDUCTORS RE-DESIGNATED (34066)	2	20.12.54	CWH
AMENDMENT PARTICULARS.	ISSUE	DATE	APP'D REF:-
N.Z.P.O.	W.S.F.	13.7.54	GBU 13690